



528

(Parts Manual)

MM193
Rev. 08 (3-95)



This manual is furnished with each new TENNANT Model 528. It provides necessary operating and preventive maintenance instructions. Read this manual completely and understand the machine before operating or servicing it.

This manual covers all machine variations and standard options. The instruction portion of the manual consists of the Specification, Operation, Maintenance, and Appendix sections. The parts portion consists of the Standard Model Parts; LPG Parts; Diesel Parts; SRS® Parts; Options; Miscellaneous Components; Hydraulic Components; Engine Parts, Gasoline, LPG; Engine Parts, DIS, Gasoline, LPG; Engine Parts, Diesel; and Cross Reference sections.

All right side and left side references to the machine are determined by facing the direction of forward travel. All hardware considered to be of a common nature or locally available has been omitted from the parts sections. Be aware that this machine may contain metric hardware. Make sure you use equivalent hardware when replacement becomes necessary.

This machine will provide excellent service. However, the best results will be obtained at minimum costs if:

- The machine is operated with reasonable care.
- The machine is maintained regularly – per the maintenance instructions provided.
- The machine is maintained with Tennant Company supplied or equivalent parts.

Parts and supplies may be ordered by phone or mail from any Tennant Company parts and service center, distributor, or from any of the Tennant Company subsidiaries. Before ordering parts or supplies, be sure to have your machine model number and serial number handy. Fill out the data block below for future reference.

MACHINE DATA <i>Please fill out at time of installation.</i>
Machine Serial Number – _____
Engine Serial Number – _____
Sales Representative – _____
Customer Number – _____
Date of Installation – _____
Manual Number – MM193
Revision: 08
Published: 3-95

Trademark Registered in: Austria, Benelux, Denmark, England, France, Germany, Italy, Spain, Switzerland, United States, Argentina, Australia, Canada, Japan, Mexico, Sweden, by TENNANT COMPANY, Minneapolis, Minnesota, U.S.A.

Acknowledgements: Technical information and/or illustrations supplied by Ford Motor Company; Kubota Ltd.; Cessna Fluid Power Division; Eaton Corporation, Hydraulics Division.

Copyright 1988, 1989, 1990, 1992, 1994, 1995 Tennant Company, Printed in U.S.A.

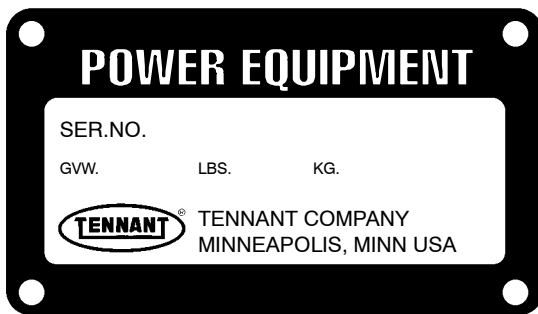
ORDERING REPAIR PARTS

The components used in this machine have been carefully selected for performance and safety. Use only Tennant Company specified or equivalent parts.

To receive prompt service in filling of your parts orders, please direct all orders for parts with Tennant Company part numbers to the Tennant Company, and all orders for parts with vendor part numbers to the local supplier of the respective vendor.

When ordering parts, please furnish all of the following information:

1. Machine model number - shown on the machine data plate.



2. Machine serial number - shown on the machine data plate.
3. Power source - gasoline, LPG, diesel, electric.
4. Company name.
5. Shipping address.
6. Billing address.
7. Name, first and last - of person ordering parts.
8. Telephone number.
9. Purchase order number.
10. Part number, description, and quantity - of each item on the order.
11. Customer ID Number.

Do not order parts by key number or the figure number of the illustrated parts. Indented items indicate parts of assemblies. Standard hardware is furnished only when part of a purchased assembly. Please get hardware from a local hardware supplier.

If the old part cannot be identified, send it to us with the quantity needed specified on the order.

Any claim for loss or damage to a shipment in transit should be filed promptly against the transportation company making the delivery. Shipments will be complete unless the packing list or order acknowledgement indicate items back ordered.

If parts received are suspected to be incorrect or defective, please write, wire, or phone the Tennant Company representative from whom you ordered the part. They will give authorization for return and/or handle replacement shipments when required.

SERIAL NUMBER INFORMATION EXPLANATION

Serial number listings are shown to indicate on which machines each part can be used. These listings are explained by the following examples:

(000000-) The part can be used on all machines.

(003342-) The part can be used on all machines beginning with the serial number listed.

(000000-004320) The part can be used on all machines up to and including serial number listed.

(004321-005678) The part can be used on all machines between and including the serial numbers listed.

Where xxxxxx's are listed in place of a serial number, it indicates a change was made but the exact serial number had not been established when the catalog went to press.

SI UNITS OF MEASURE (INTERNATIONAL SYSTEM)

Metric equivalents have been included, where applicable, throughout this parts catalog.

FASTENER STRENGTH IDENTIFICATION

Fasteners required to have high-strength qualities equivalent to SAE Grade 8 are identified throughout this catalog by the description GR 8. Unless identified by this description, all standard fasteners are SAE Grade 5.

(Specifications and design subject to change without notice.)

Fig. 1 - Recommended General Maintenance Items

Ref.	Tennant Part No.	Machine Serial Number	Description	Qty.
1	19517	(030000-030999)	Performance Package, 400 Hour, Gasoline	1
▲	07764	(030000-030999)	Spark Plug	4
▲	58508	(030000-030999)	Rotor	1
▲	58507	(030000-030999)	Distributor Cap	1
▲	07705	(030000-030999)	Gasket, Cover	1
▲	58120	(030000-030999)	Element, Air Filter	1
▲	19205	(030000-030999)	Filter, Engine Oil	8
▲	82525	(030000-030999)	Filter, Fuel	1
▲	65869-1	(030000-030999)	Hydraulic Fluid, 1 Gal (3.8 L)	6
▲	55740	(030000-030999)	Element, Hydraulic Filter	1
	31745	(031000-)	Performance Package, 400 Hour, Gasoline, DIS	1
▲	39046	(031000-)	Spark Plug	4
▲	07705	(031000-)	Gasket, Cover	1
▲	58120	(031000-)	Element, Air Filter	1
▲	19205	(031000-)	Filter, Engine Oil	8
▲	82525	(031000-)	Filter, Fuel	1
▲	65869-1	(031000-)	Hydraulic Fluid, 1 Gal (3.8 L)	6
▲	55740	(031000-)	Element, Hydraulic Filter	1
	19518	(030000-030999)	Performance Package, 400 Hour, LPG	1
▲	07764	(030000-030999)	Spark Plug	4
▲	58508	(030000-030999)	Rotor	1
▲	58507	(030000-030999)	Distributor Cap	1
▲	07705	(030000-030999)	Gasket, Cover	1
▲	58120	(030000-030999)	Element, Air Filter	1
▲	19205	(030000-030999)	Filter, Engine Oil	8
▲	65869-1	(030000-030999)	Hydraulic Fluid, 1 Gal (3.8 L)	6
▲	55740	(030000-030999)	Element, Hydraulic Filter	1
	31746	(031000-)	Performance Package, 400 Hour, LPG, DIS	1
▲	39046	(031000-)	Spark Plug	4
▲	07705	(031000-)	Gasket, Cover	1
▲	58120	(031000-)	Element, Air Filter	1
▲	19205	(031000-)	Filter, Engine Oil	8
▲	65869-1	(031000-)	Hydraulic Fluid, 1 Gal (3.8 L)	6
▲	55740	(031000-)	Element, Hydraulic Filter	1
	19519	(030000-)	Performance Package, 400 Hour, Diesel	1
▲	58120	(030000-)	Element, Air Filter	1
▲	82693	(030000-)	Filter, Engine Oil	8
▲	82692	(030000-)	Element, Diesel Fuel Filter	1
▲	55740	(030000-)	Element, Hydraulic Filter	1
▲	65869-1	(030000-)	Hydraulic Fluid, 1 Gal (3.8 L)	11

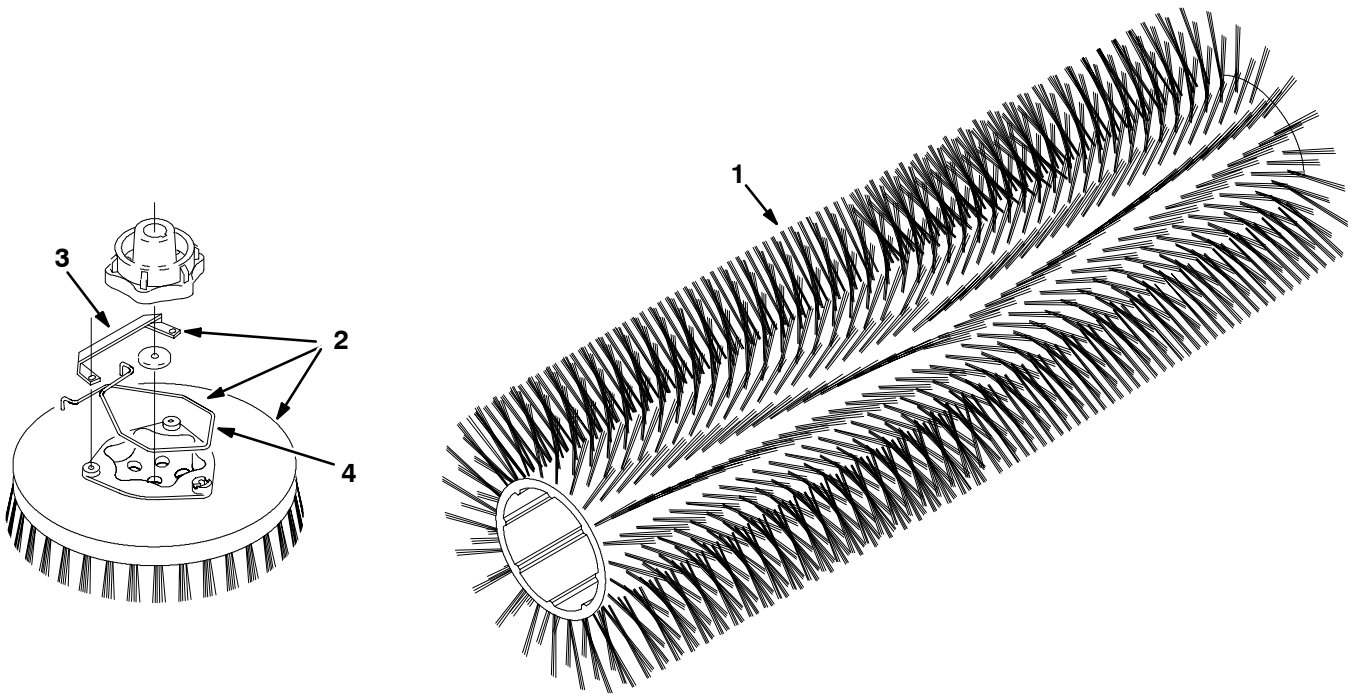


Fig. 2 - Replacement Brushes

04936

Ref.	Tennant Part No.	Machine Serial Number	Description	Qty.
1	19701	(030000-) Brush, Scrub, Polypropylene	1
	19702	(030000-) Brush, Scrub, Super Abrasive	1
	19703	(030000-) Brush, Scrub, Soft Nylon	1
2	05729	(030000-) Side Scrub Brush Assembly, Polypropylene	1
▲ 3	24299	(030000-) Bracket, Spring Retainer	1
▲ 4	14838	(030000-) Spring, Brush Retaining	1
	05730	(030000-) Side Scrub Brush Assembly, Super Abrasive	1
▲	24299	(030000-) Bracket, Spring Retainer	1
▲	14838	(030000-) Spring, Brush Retaining	1
	05728	(030000-) Side Scrub Brush Assembly, Soft Nylon	1
▲	24299	(030000-) Bracket, Spring Retainer	1
▲	14838	(030000-) Spring, Brush Retaining	1

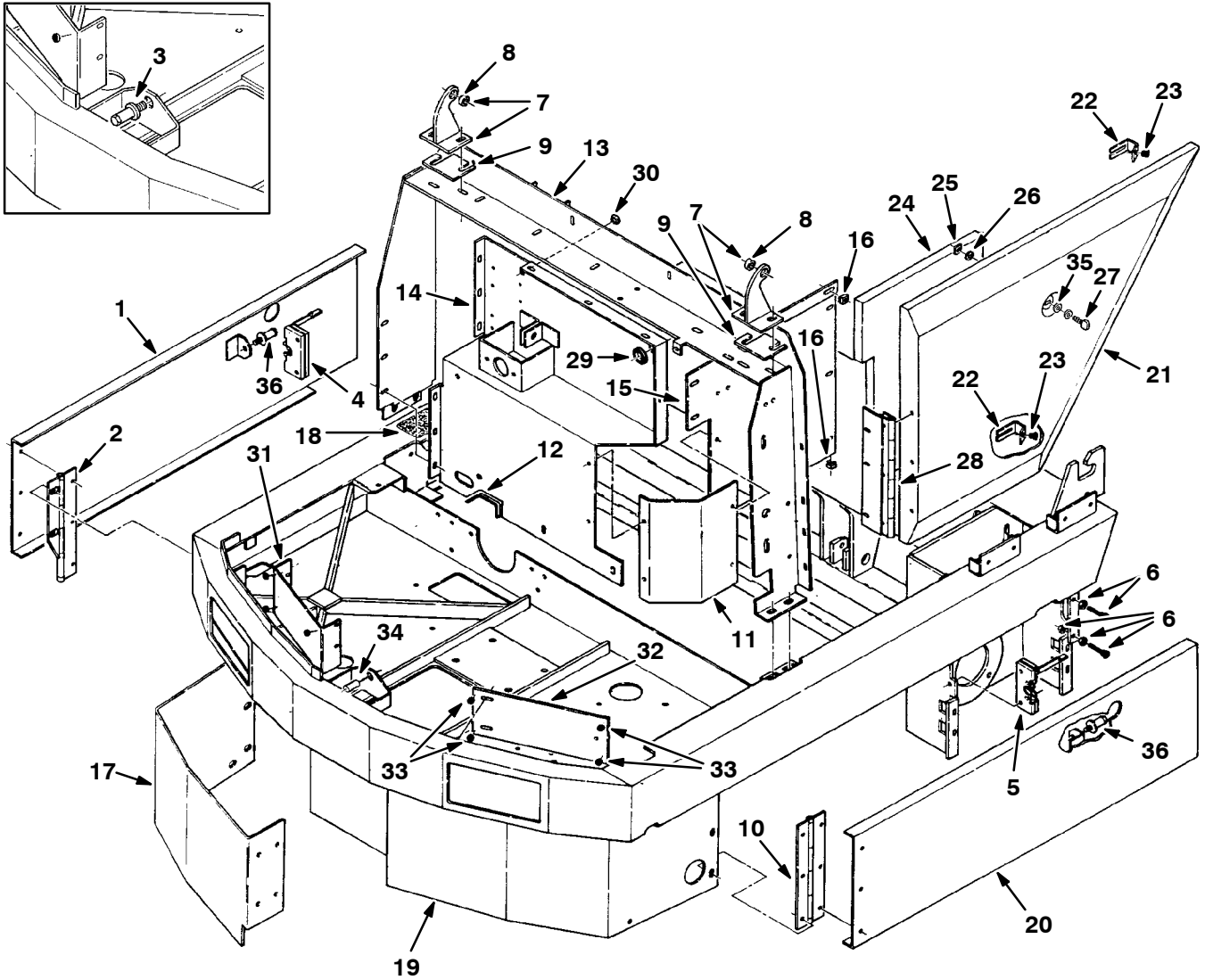


Fig. 3 - Main Frame Group

Fig. 3 - Main Frame Group

Ref.	Tenant Part No.	Machine Serial Number	Description	Qty.
1	57241	(030000-) Door, R.H.	1
2	19745	(030000-) Hinge, Door	1
3	58898	(030000-030379) Bolt, Latch	1
4	58844	(030000-) Latch, Hook	1
5	58489	(030000-) Latch, Hook	1
6	75128	(030000-) Spindle, Adjustment	4
7	64416-1	(030000-) Hinge, Hood	2
▲ 8	64377	(030000-) Bearing, Journal	1
9	69231	(030000-) Shim, Hood Hinge	2
10	19571	(030000-) Hinge	1
11	19348	(030000-) Panel, Removable	1
12	62170-4	(030000-) Molding, Rigid	1
13	32350	(030000-) Frame, Hood Support	1
14	25612	(030000-) Panel, Firewall	1
15	19424	(030000-) Panel and Label Assembly, Component	1
16	41665	(030000-) Retainer, Speed Nut	4
17	19204	(030000-) Panel	1
18	75430	(030000-) Pad, Tread	1
19	19195	(030000-) Frame, Main	1
20	57238	(030000-) Door, L.H.	1
21	19076	(030000-) Door, Side	1
22	64512	(030000-) Stop, Door	2
23	51787	(030000-) Bumper, Rubber	2
24	69667	(030000-) Insulation	1
25	28165	(030000-) Fastener	1
26	08156	(030000-) Retainer, Screw	1
27	25665	(030000-031392) Screw Kit, Thumb	1
27	25656	(031393-) Screw, Thumb	1
28	19198	(030000-) Hinge, Side Door	1
29	10632-14	(030000-) Grommet, Rubber	1
30	47178-17	(030000-) Plugbutton	1
31	19441	(030000-) Panel, Cover	1
32	64756	(030000-) Plate, Panel Filler	1
33	64757	(030000-) Bumper, Rubber	4
34	25584	(030380-) Spacer	1
35	25664	(031393-) Washer, Nylon	1
	62595-3	(030000-) Molding, Rigid	1
36	58898	(030000-) Bolt, Latch	2

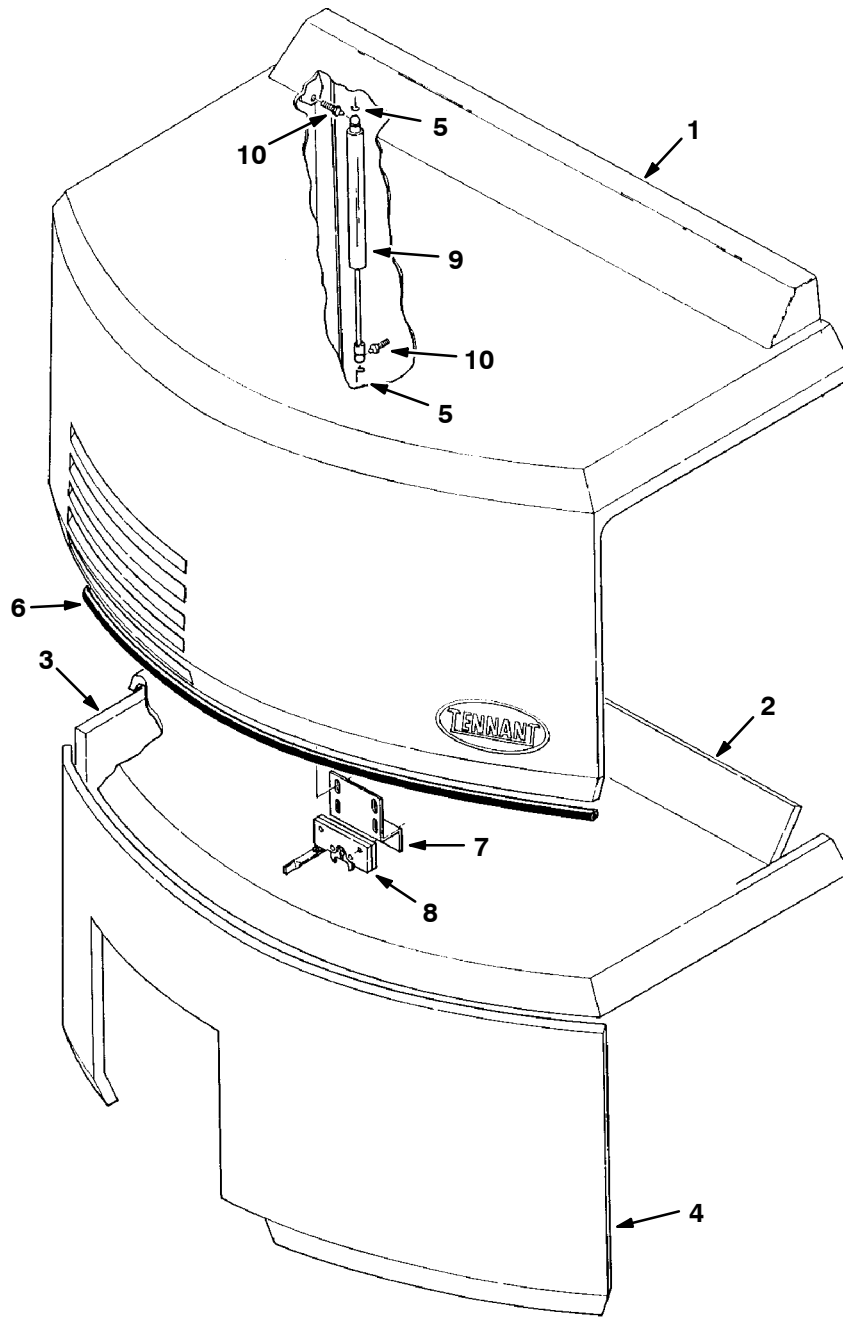


Fig. 4 - Engine Hood Group

04910

Ref.	Tennant Part No.	Machine Serial Number	Description	Qty.
1	25625	(030000-) Hood Assembly, Engine	1
▲ 2	64185	(030000-) Insulation, Hood	1
▲ 3	16255	(030000-) Insulation, Foam	1
▲ 4	57312	(030000-) Insulation, Hood	1
5	64595	(030000-) Clip, Safety	2
6	57510	(030000-) Seal	1
7	57086	(030000-) Plate, Hood Latch Mount	1
8	58489	(030000-) Latch, Hook, R.H.	1
9	64535	(030000-) Spring, Gas	1
10	58494	(030000-) Stud, Ball	2

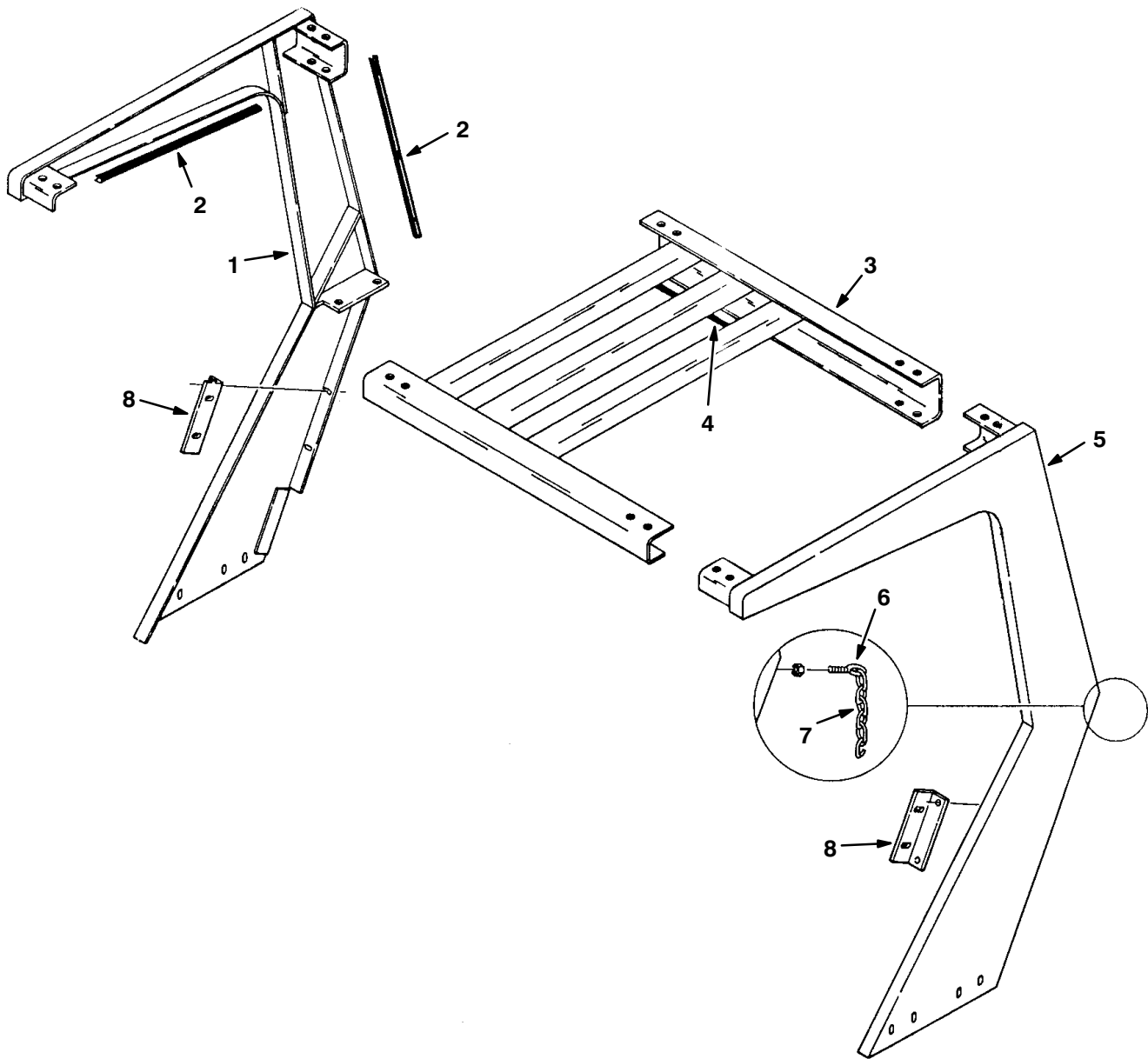


Fig. 5 – Overhead Guard Group

04919

Key	TENNANT Part No.	Machine Serial Number	Description	Qty.
1	57319	(030000–)	Support, Guard R.H.	1
2	62595–11	(030000–)	Molding, Rigid	2
3	64247	(030000–)	Channel, Guard	1
4	62595–2	(030000–)	Molding, Rigid	1
5	57321	(030000–)	Support, Guard L.H.	1
6	11893	(030000–)	Bolt, Eye	2
7	57399	(030000–)	Chain and Hook Assembly	2
8	64274–1	(030000–)	Bracket, Guard Mounting	2

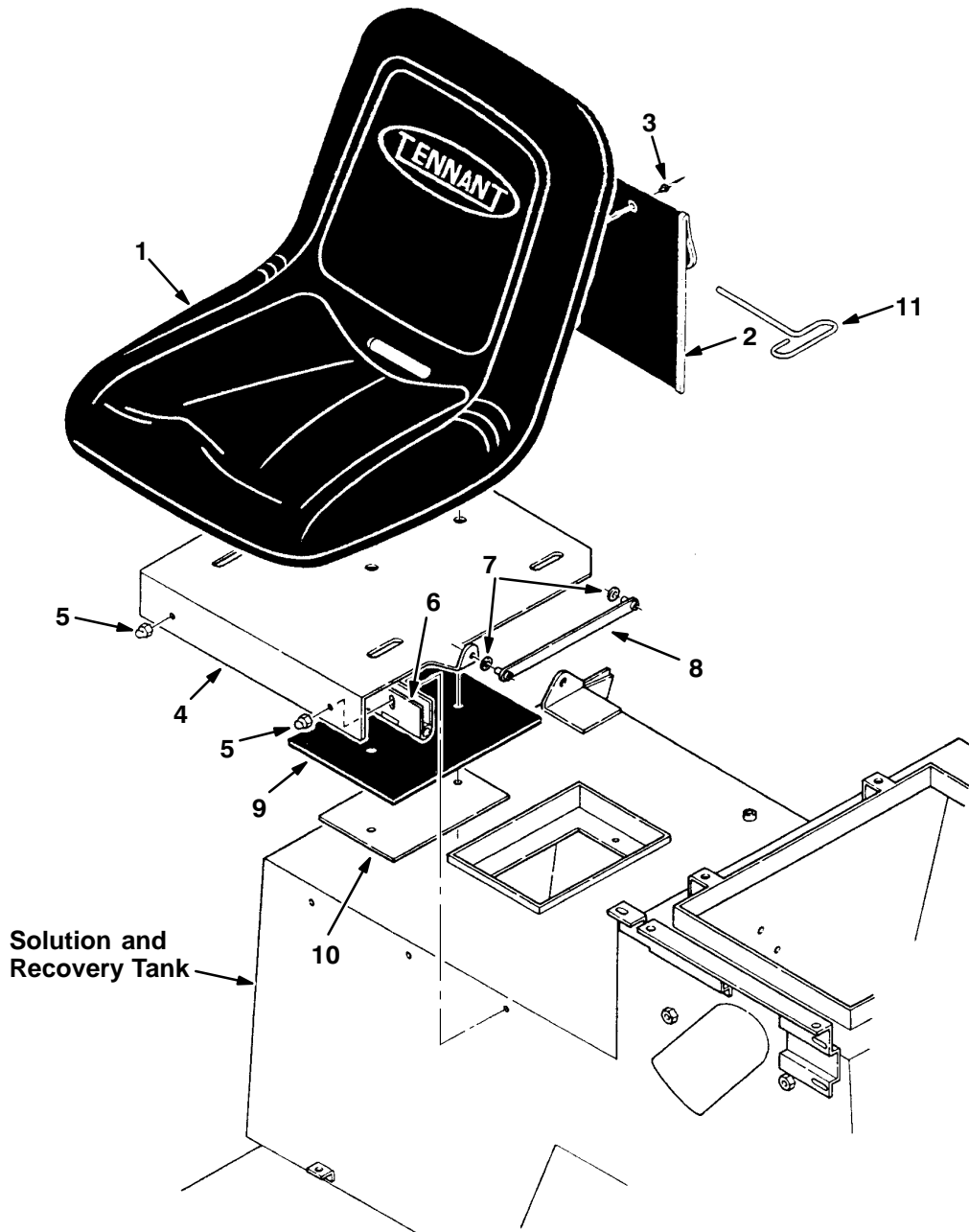


Fig. 6 – Seat Group

04920

Key	TENNANT Part No.	Machine Serial Number	Description	Qty.
1	79605	(030000–)	Seat	1
2	68275	(030000–031808)	Pouch, Operator Manual, 13.6 in (345 mm)	1
2	48790	(031809–)	Pouch, Operator Manual, 7.5 in (190 mm)	1
3	68567	(030000–)	Rivet, Pop	2
4	64341	(030000–)	Bracket, Seat	1
5	41127	(030000–)	Nut, Low Crown	2
6	64342	(030000–)	Hinge	1
7	43611	(030000–)	Washer, Nylon	2
8	64060–1	(030000–)	Link, Seat	1
9	64338	(030000–)	Gasket, Door	1
10	64339	(030000–)	Plate, Gasket	1
11	31175	(030000–)	Wrench, Hex Key	1

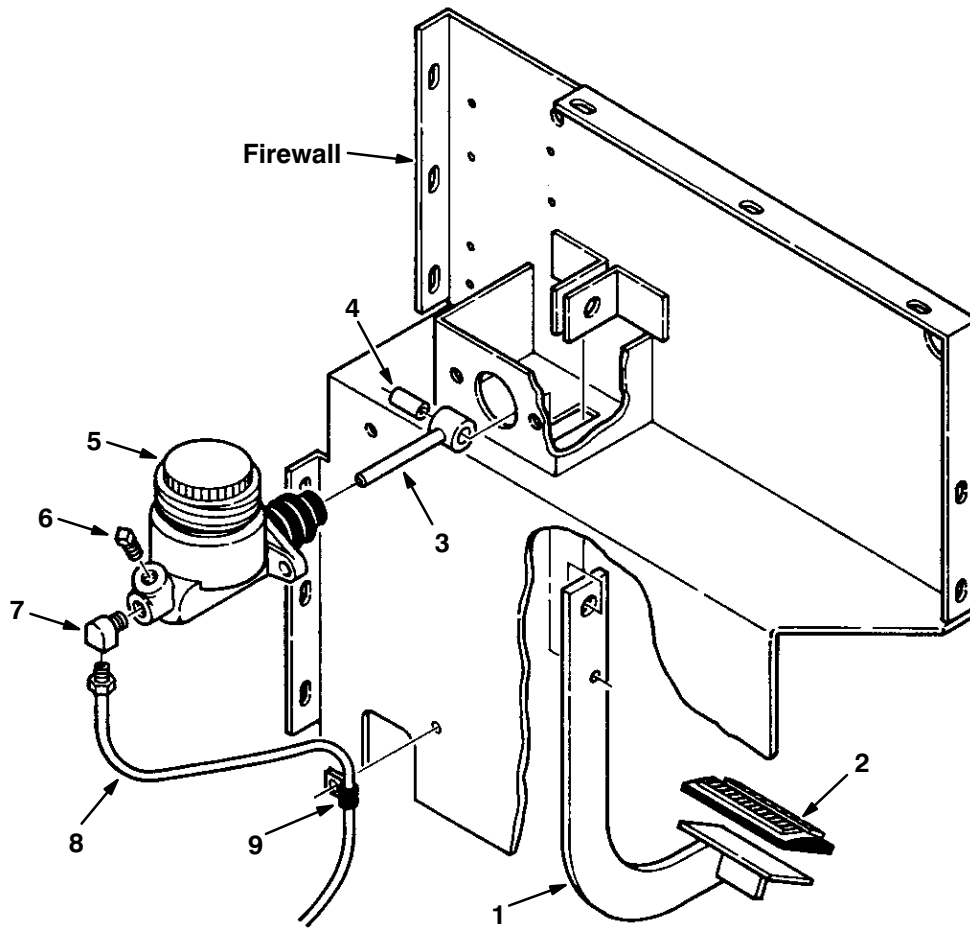


Fig. 7 – Brake Pedal and Cylinder Group

04921

Key	TENNANT Part No.	Machine Serial Number	Description	Qty.
1	57053	(030000–)	Pedal, Brake	1
2	51109	(030000–)	Pad	1
3	57057	(030000–)	Rod, Push	1
4	57311	(030000–)	Spacer	1
5	SK2136	(030000–)	Replacement Kit, Cylinder	1
	SK2137	(030000–)	Repair Kit, Cylinder	1
6	48126	(030000–)	Fitting, Plug	1
7	53078	(030000–)	Fitting, Elbow	1
8	76058	(030000–)	Tube Assembly, Brake Line	1
9	46236	(030000–)	Clamp, Cable	1

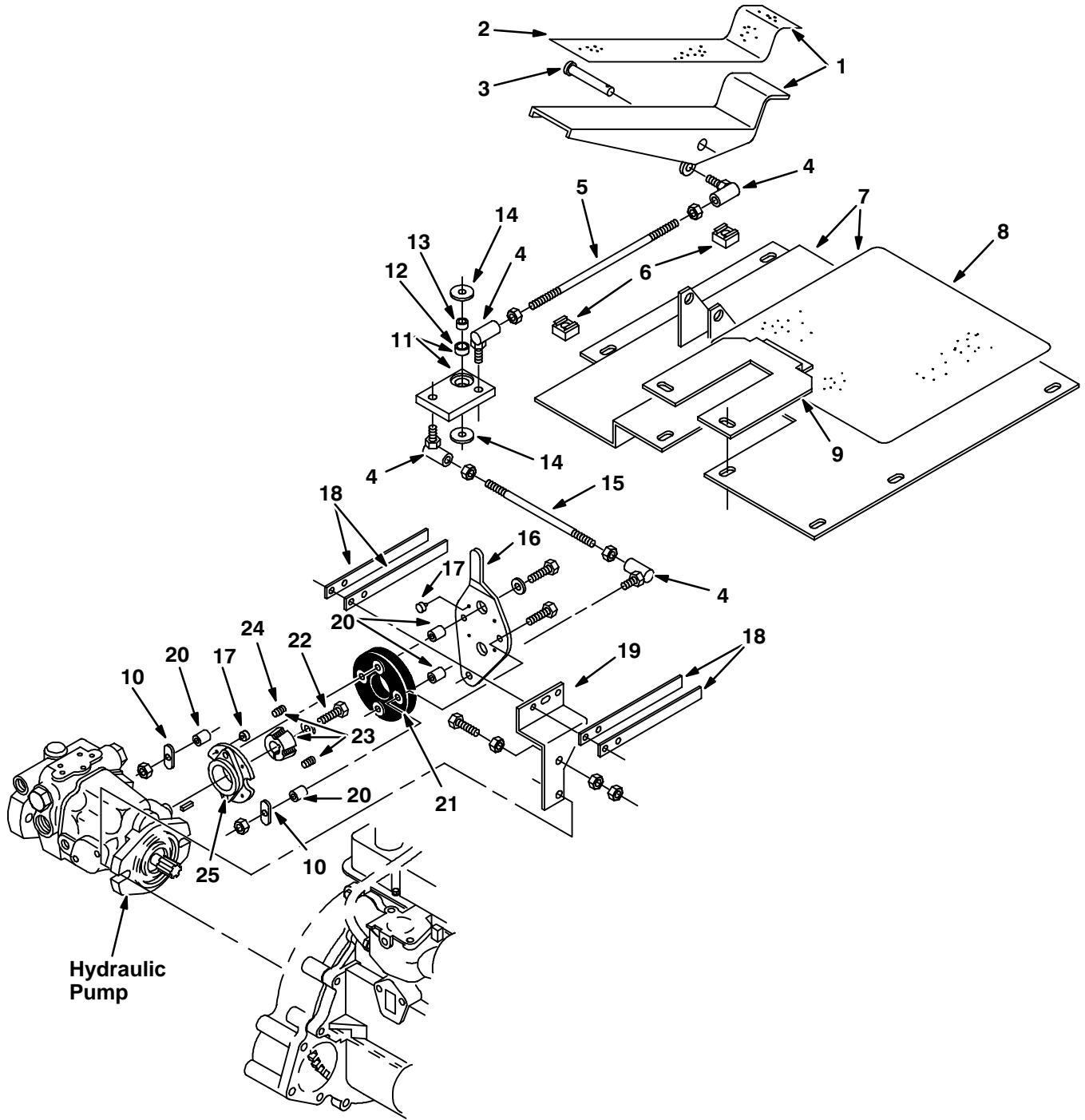


Fig. 8 – Directional Pedal Group

Fig. 8 – Directional Pedal Group

Key	TENNANT Part No.	Machine Serial Number	Description	Qty.
1	64791	(030000–)	Pedal Assembly	1
2	75430	(030000–)	Pad, Tread	1
3	23683	(030000–)	Pin, Clevis	1
4	50493	(030000–)	Ball Joint	4
5	64552	(030000–)	Stud	1
6	29124	(030000–)	Retainer, Speed Nut	2
7	19693	(030000–)	Plate Assembly, Floor	1
8	69571	(030000–)	Mat, Floor	1
9	64028	(030000–)	Door, Floor Plate	1
10	02702	(030000–)	Washer, Retainer	2
11	57309	(030000–)	Lever Assembly, Pump Control	1
12	64173	(030000–)	Bearing	1
13	64192	(030000–)	Bearing, Sleeve	1
14	59633	(030000–)	Bearing, Fiberglide Thrust	2
15	50494	(030000–)	Stud	1
16	19074	(030000–)	Plate, Pump Control	1
17	56855	(030000–)	Bumper, Rubber	8
18	49681	(030000–)	Plate, Spring	4
19	32291	(030000–)	Bracket, Spring Mounting	1
20	64991	(030000–)	Sleeve	4
21	57875	(030000–)	Coupling, Shaft	1
22	16736	(030000–)	Screw, Hex, Nylon	1
23	15280–3	(030000–)	Bushing	1
24	39330	(030000–)	Screw, Set	2
25	02701	(030000–)	Flange, Coupling	1

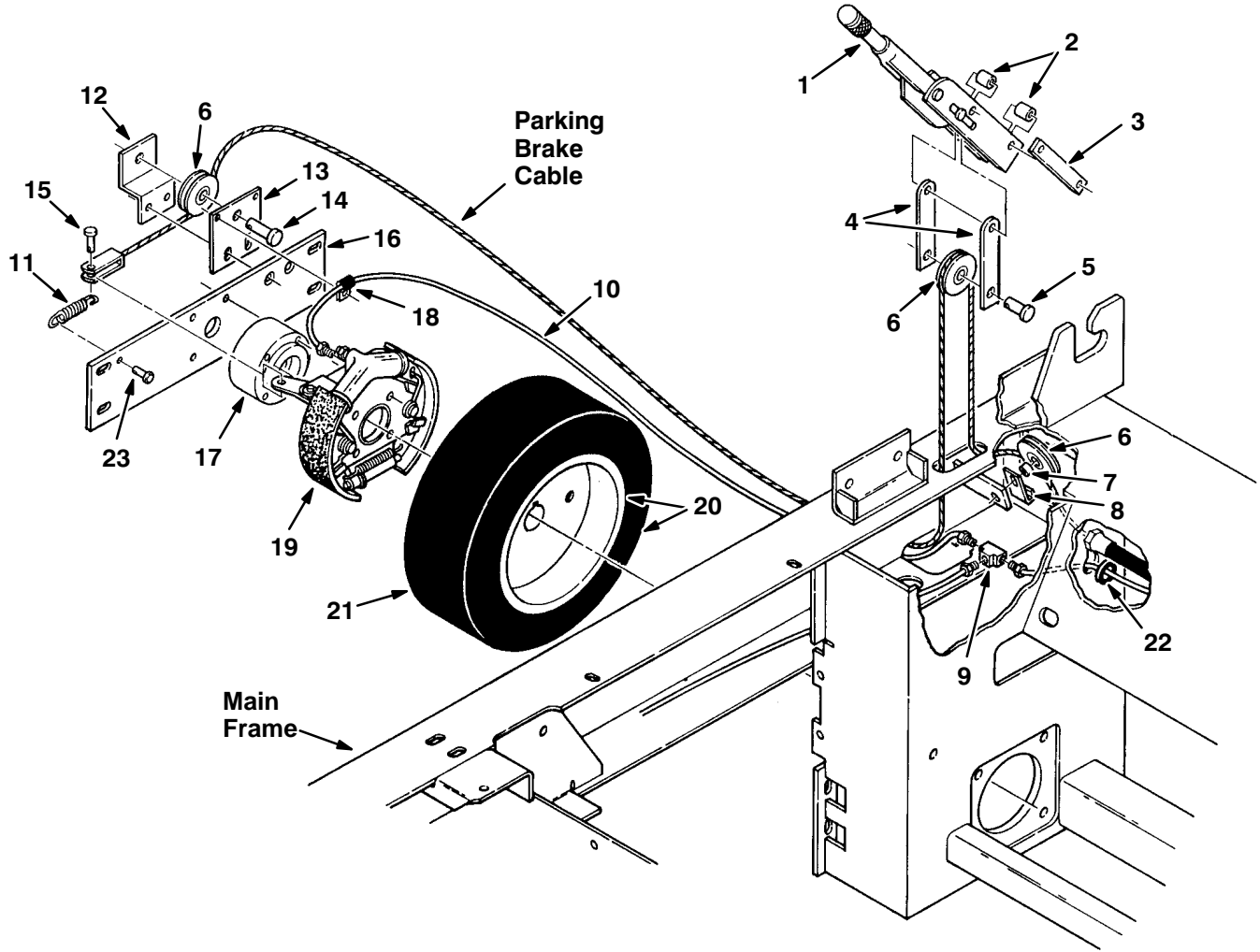


Fig. 9 – Right Side Brake Group

Fig. 9 – Right Side Brake Group

Key	TENNANT Part No.	Machine Serial Number	Description	Qty.
1	51545	(030000–)	Lever, Brake	1
2	51562	(030000–)	Sleeve	2
3	57791	(030000–)	Plate, Spacer	1
4	57184	(030000–)	Bar, Pulley Mounting	2
5	51530	(030000–)	Pin, Clevis	1
6	74391	(030000–)	Pulley Assembly, Cable	3
7	59632	(030000–)	Sleeve	1
8	57231	(030000–)	Keeper, Cable	1
9	53079	(030000–)	Fitting, Tee	1
10	76053	(030000–)	Tube Assembly, Brake Line	1
11	28281	(030000–)	Spring, Tension	1
12	09588	(030000–)	Bracket	1
13	09589	(030000–)	Bracket, Spacer	1
14	51529	(030000–)	Pin, Clevis	1
15	69582	(030000–)	Pin, Clevis	1
16	09602	(030000–)	Plate, Brake Mount	1
17	09601	(030000–)	Spacer, Brake	1
18	46236	(030000–)	Clamp, Cable	1
19	57233	(030000–031898)	Brake Assembly, R.H. (Replaced by 48795)	1
	58329	(030000–031898)	Service Kit, Brake Cylinder	1
	65415	(030000–031898)	Shoe Kit, Non-ASBSTS (Set for 1 wheel)	1
19	48795	(031899–)	Brake Assembly, R.H.	1
	65408	(031899–)	Service Kit, Brake Cylinder	1
	65409	(031899–)	Service Kit, Brake and Shoe Lining (Set for 1 wheel)	1
20	60396	(030000–)	Wheel Assembly, Solid	1
21	50077	(030000–)	Tire, Solid	1
22	10632–18	(030000–)	Grommet, Rubber	1
23	23786	(030000–)	Pin, Clevis	1

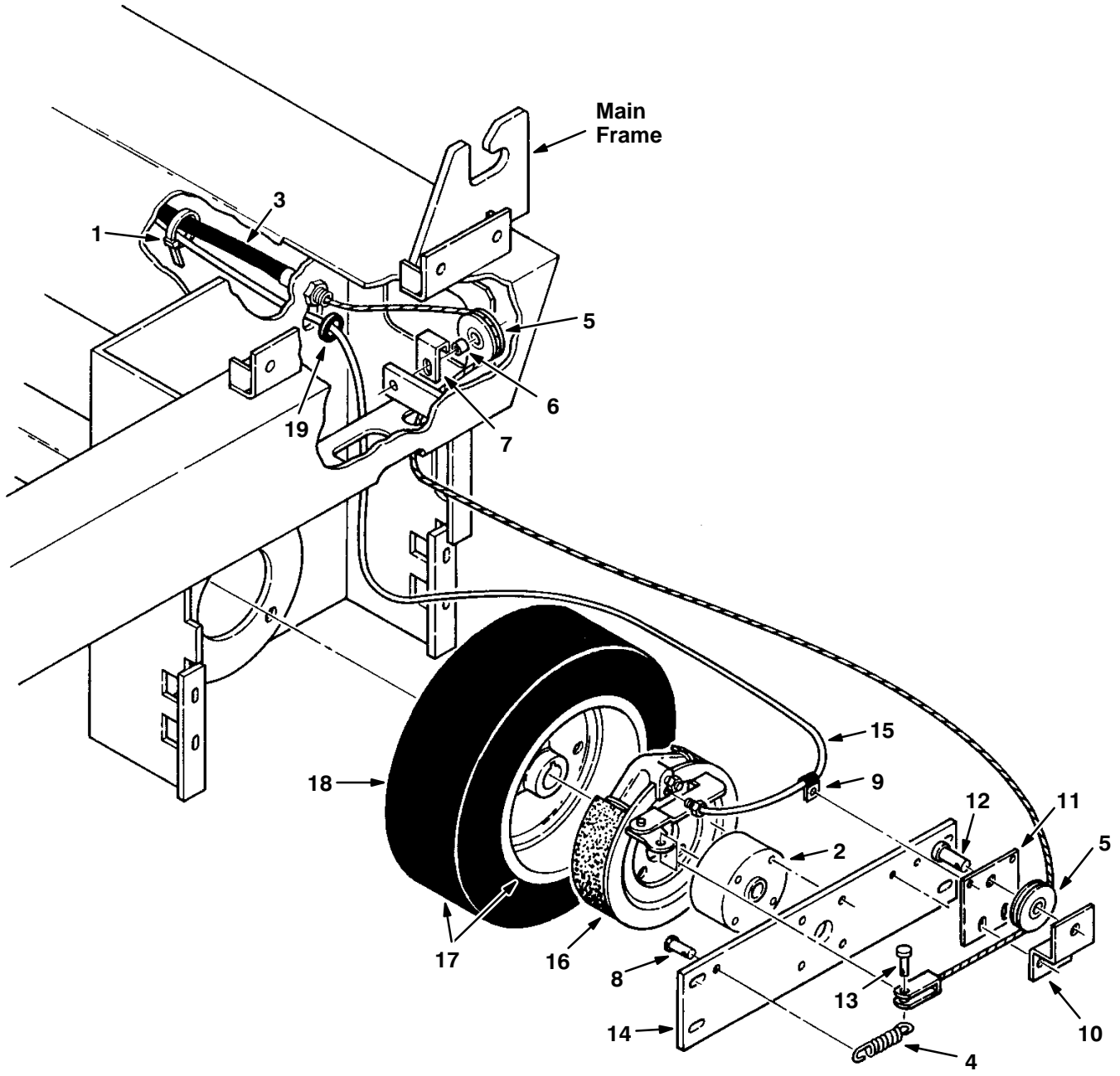


Fig. 10 – Left Side Brake Group

Fig. 10 – Left Side Brake Group

Key	TENNANT Part No.	Machine Serial Number	Description	Qty.
1	44961	(030000–)	Tie, Cable	2
2	09601	(030000–)	Spacer, Brake	1
3	57123	(030000–)	Cable, Parking Brake	1
4	28281	(030000–)	Spring, Tension	1
5	74391	(030000–)	Pulley Assembly, Cable	2
6	59632	(030000–)	Sleeve	1
7	57231	(030000–)	Keeper, Cable	1
8	23786	(030000–)	Pin, Clevis	1
9	46236	(030000–)	Clamp, Cable	1
10	09588	(030000–)	Bracket	1
11	09589	(030000–)	Bracket, Spacer	1
12	51529	(030000–)	Pin, Clevis	1
13	69582	(030000–)	Pin, Clevis	1
14	09602	(030000–)	Plate, Brake Mount	1
15	76058	(030000–)	Tube Assembly, Brake Line	1
16	57232	(030000–031898)	Brake Assembly, L.H. (Replaced by 48796)	1
	58329	(030000–031898)	Service Kit, Brake Cylinder	1
	65415	(030000–031898)	Shoe Kit, Non-ASBSTS (Set for 1 wheel)	1
16	48796	(031899–)	Brake Assembly, L.H.	1
	65408	(031899–)	Service Kit, Brake Cylinder	1
	65409	(031899–)	Service Kit, Brake and Shoe Lining (Set for 1 wheel)	1
17	60396	(030000–)	Wheel Assembly, Solid	1
18	50077	(030000–)	Tire, Solid	1
19	10632–18	(030000–)	Grommet, Rubber	1

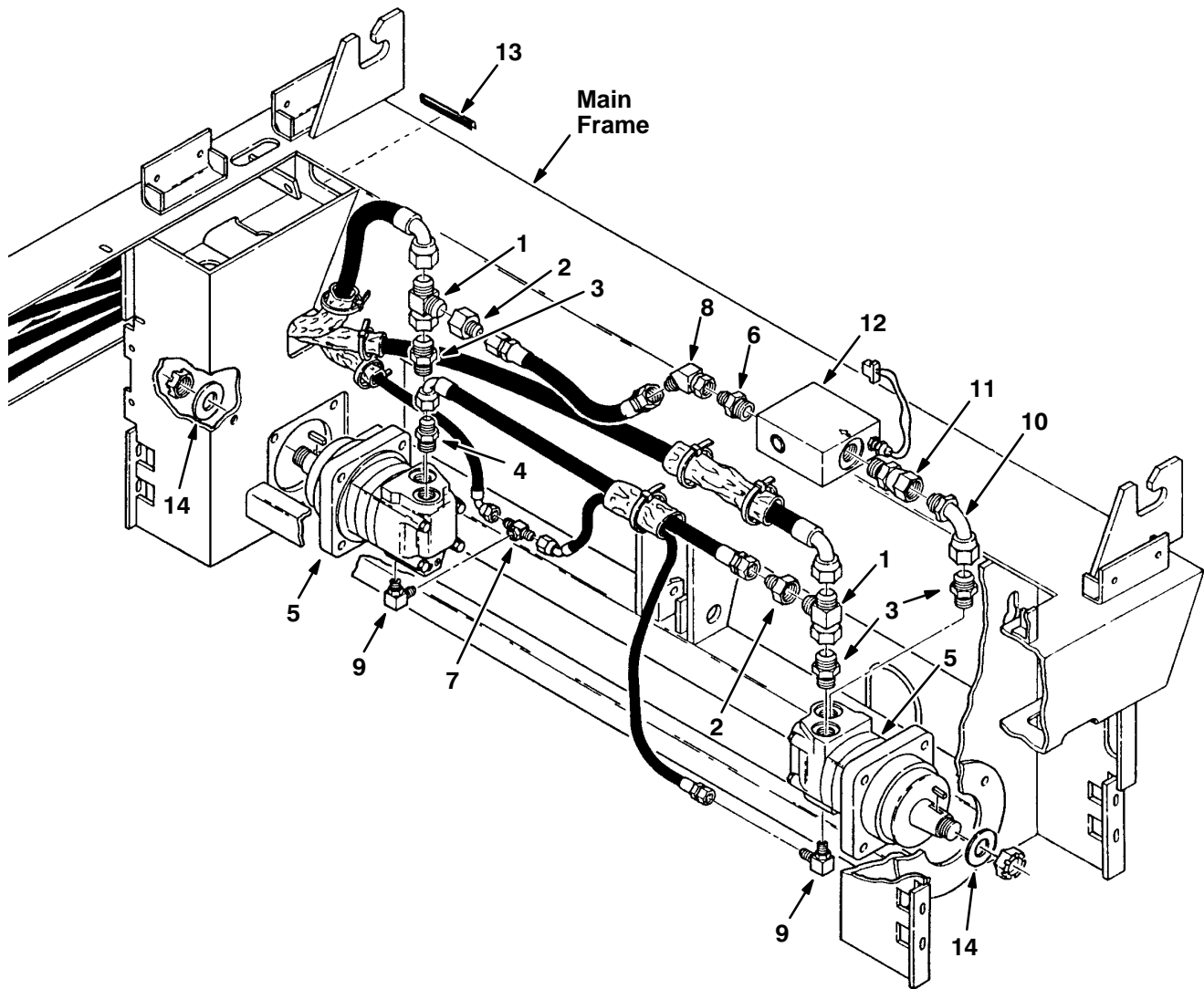


Fig. 11 – Drive Motors Group

04922

Key	TENNANT Part No.	Machine Serial Number	Description	Qty.
1	40514	(030000-)	Fitting, Tee	2
2	78143	(030000-)	Fitting, Straight	2
3	06750	(030000-)	Fitting, Straight	3
4	56692	(030000-)	Fitting, Straight	1
5	03517	(030000-)	Motor, Hydraulic (See Hydraulic Components)	2
6	42227	(030000-)	Fitting, Straight	1
7	57411	(030000-)	Fitting, Tee	1
8	07797	(030000-)	Fitting, Elbow, 45°	1
9	77097	(030000-)	Fitting, Elbow	2
10	57994	(030000-)	Fitting, Elbow	1
11	67832	(030000-)	Fitting, Straight	1
12	31556	(030000-)	Switch, Flow (See Hydraulic Components)	1
13	62595-18	(030000-)	Molding, Rigid	1
14	32598	(030000-)	Washer	2

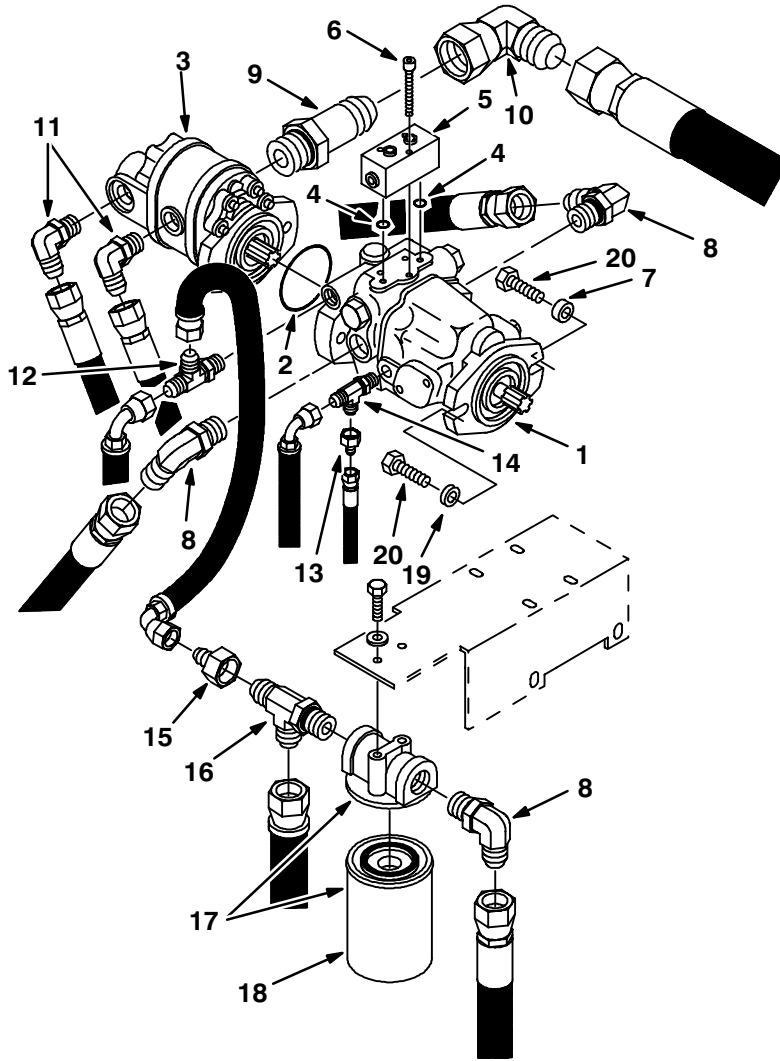


Fig. 12 – Pump Group

04677

Key	TENNANT Part No.	Machine Serial Number	Description	Qty.
1	02704	(030000–)	Pump, Hydraulic (See Hydraulic Components)	1
2	65145–1	(030000–)	O–Ring	1
3	16840	(030000–)	Pump, Hydraulic (See Hydraulic Components)	1
4	58395	(030000–)	O–Ring	2
5	82767	(030000–)	Valve, Hydraulic Neutral	1
6	82764	(030000–)	Screw, Socket	3
7	19772	(030000–)	Spacer	1
8	46481	(030000–)	Fitting, Elbow	3
9	19458	(030000–)	Fitting, Straight	1
10	19459	(030000–)	Fitting, Elbow	1
11	56821	(030000–)	Fitting, Elbow	2
12	40755	(030000–)	Fitting, Tee	1
13	47752	(030000–)	Fitting, Straight	1
14	76316	(030000–)	Fitting, Tee	1
15	78143	(030000–)	Fitting, Straight	1
16	42216	(030000–)	Fitting, Tee	1
17	55619	(030000–)	Filter Assembly, Hydraulic	1
18	55740	(030000–)	Element, Filter	1
19	32485	(030000–)	Washer	1
20	46559	(030000–)	Screw	2

STANDARD MODEL PARTS

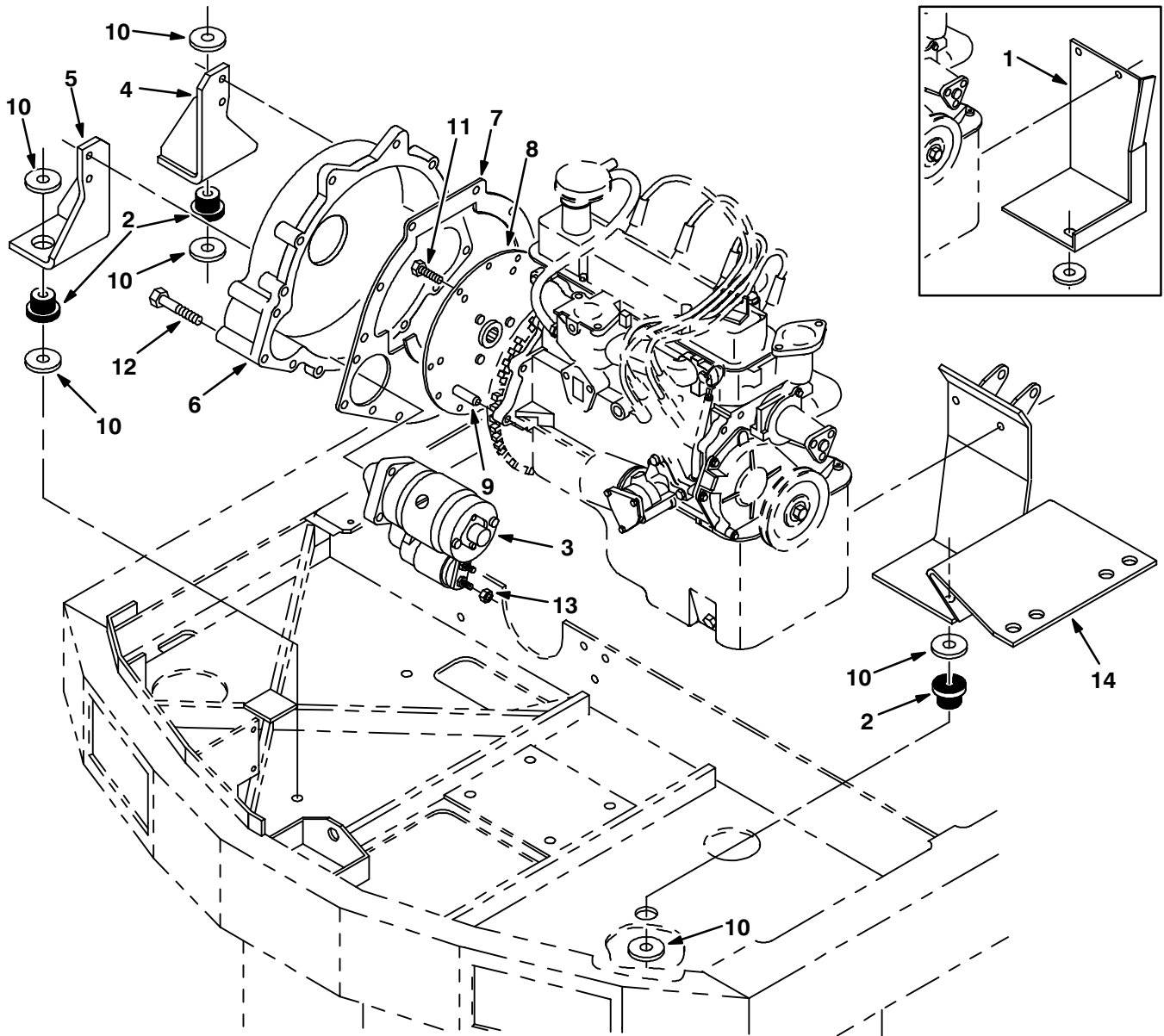


Fig. 13 – Engine Flywheel and Mount Group

04679

Key	TENNANT Part No.	Machine Serial Number	Description	Qty.
1	19092	(030000–030999)	Bracket, Engine Mounting	1
2	51176	(030000–)	Dampner, Engine	3
3	03160	(030000–)	Starter	1
4	19100	(030000–)	Bracket, Rear Engine Mounting, L.H.	1
5	19106	(030000–)	Bracket, Rear Engine Mounting, R.H.	1
6	19073	(030000–)	Housing, Flywheel	1
7	19532	(030000–)	Ring, Starter Locating	1
8	19252	(030000–)	Coupling Assembly, Flywheel	1
9	54911–16	(030000–)	Pin, Dowel	2
10	57048	(030000–)	Washer	6
11	16735	(030000–)	Screw, Hex, M8	6
12	34877	(030000–)	Screw, Hex, M10	3
13	41361	(030000–)	Nut, Brass	1
14	31491	(031000–031432)	Mount, Engine Front	1
14	30434	(031433–)	Mount, Engine Front	1

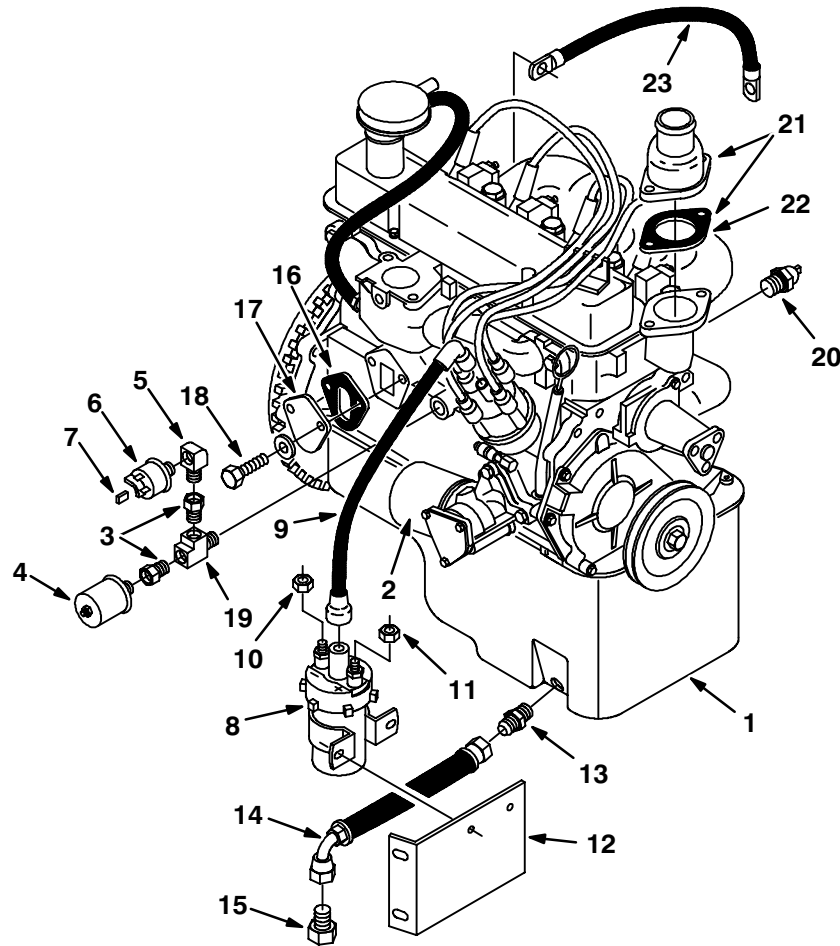


Fig. 14 – Engine Group

04680

Key	TENNANT Part No.	Machine Serial Number	Description	Qty.
1	07491	(030000–030999)	Engine	1
2	19205	(030000–030999)	Filter, Engine Oil	1
3	17414	(030000–030999)	Fitting, Straight	2
4	07175	(030000–030999)	Sending Unit, Oil Pressure	1
5	11984	(030000–030999)	Fitting, Elbow	1
6	51805	(030000–030999)	Switch, Oil Pressure	1
7	68106	(030000–030999)	Tab, Terminal	3
8	03194	(030000–030999)	Coil Assembly	1
9	54911–31	(030000–030999)	Wire, High Tension	1
10	50335	(030000–030999)	Nut, Hex, M5	1
11	41359	(030000–030999)	Nut, Hex, M6	1
12	19751	(030000–030999)	Bracket, Ignition Coil	1
13	19200	(030000–030999)	Fitting, Straight	1
14	55763	(030000–030999)	Hose, Hydraulic	1
15	19747	(030000–030999)	Fitting, Plug	1
16	02887	(030000–030999)	Gasket, Fuel Pump	1
17	54911–28	(030000–030999)	Cover, Fuel Pump Opening	1
18	16735	(030000–030999)	Screw, Hex, M8	2
19	24929	(030000–030999)	Fitting, Tee	1
20	58592	(030000–030999)	Sender, Water Temperature	1
21	19689	(030000–030999)	Housing and Gasket, Thermostat	1
22	54911–25	(030000–030999)	Gasket, Thermostat Housing	1
23	57773	(030000–030999)	Wire Assembly, Ground	1

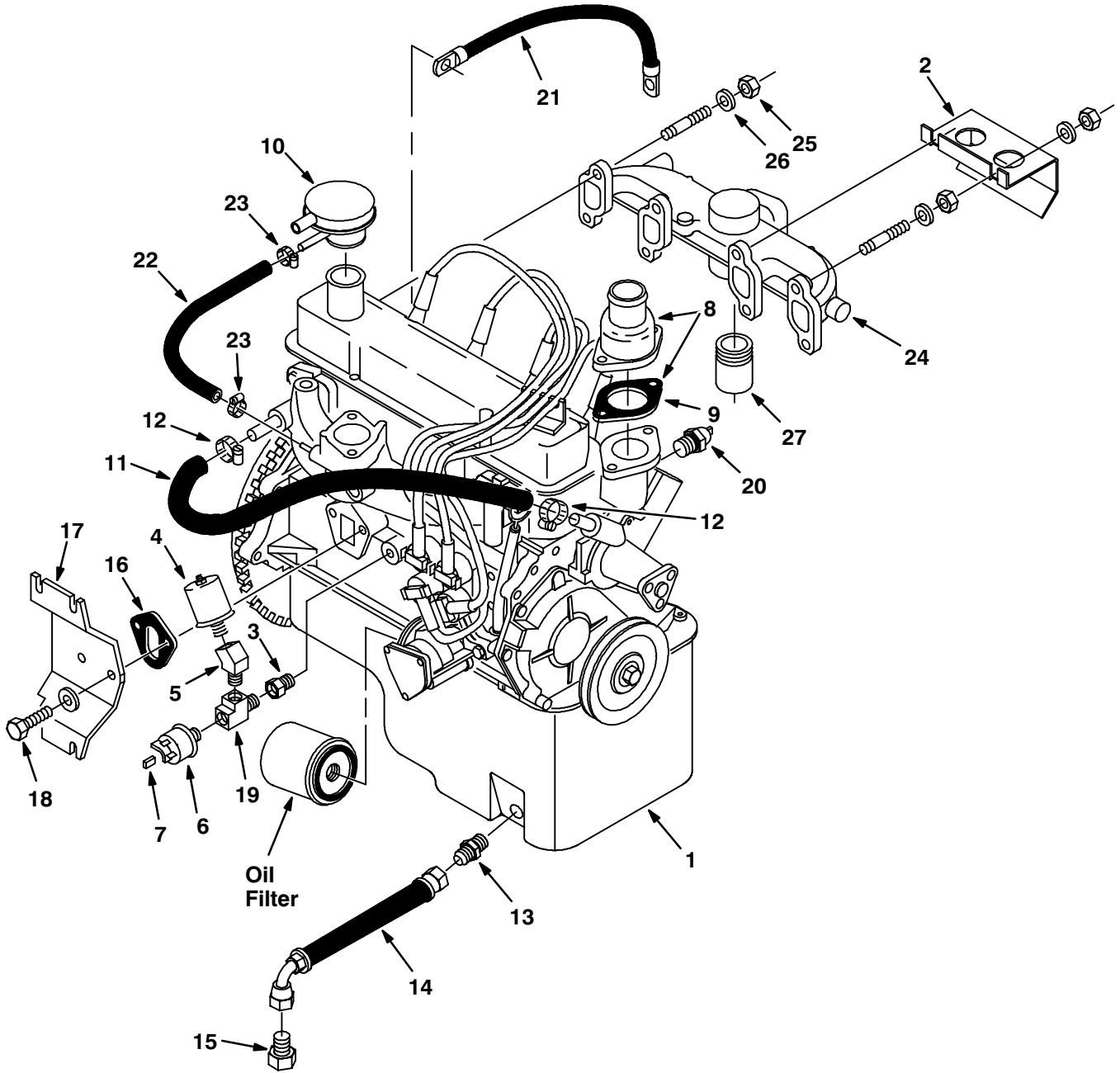


Fig. 15 – Engine Group, Distributorless (DIS)

Fig. 15 – Engine Group, Distributorless (DIS)

Key	TENNANT Part No.	Machine Serial Number	Description	Qty.
1	30296	(031000–)	Engine, Distributorless (DIS)	1
2	30468	(031433–)	Shield Assembly, Exhaust Manifold	1
3	17414	(031000–)	Fitting, Straight	1
4	07175	(031000–)	Sending Unit, Oil Pressure	1
5	24976	(031000–)	Fitting, Elbow, 45°	1
6	51805	(031000–)	Switch, Oil Pressure	1
7	68106	(031000–)	Tab, Terminal	1
8	19689	(031000–)	Housing and Gasket, Thermostat	1
9	54911–25	(031000–)	Gasket, Thermostat	1
10	30306	(031000–)	Cap Assembly, Oil Filler And PCV Valve	1
11	31543	(031000–)	Hose, Heater	1
12	63810	(031000–)	Clamp, Worm Drive	2
13	19200	(031000–)	Fitting, Straight	1
14	55763	(031000–)	Hose, Hydraulic	1
15	19747	(031000–)	Fitting, Plug	1
16	02887	(031000–)	Gasket, Fuel Pump	1
17	31516	(031000–)	Bracket, Actuator Mounting	1
18	16735	(031000–)	Screw, Hex, M8	2
19	26426	(031000–)	Fitting, Tee	1
20	58592	(031000–)	Sender, Water Temperature	1
21	57773	(031000–)	Wire Assembly, Ground	1
22	76589–2	(031000–)	Hose, Rubber	1
23	54333	(031000–)	Clamp, Worm Drive	2
24	30316	(031000–)	Manifold, Exhaust	1
25	08165	(031000–)	Nut, Hex, M8	8
26	39349	(031000–)	Washer	8
27	24013	(031000–)	Fitting, Nipple	1

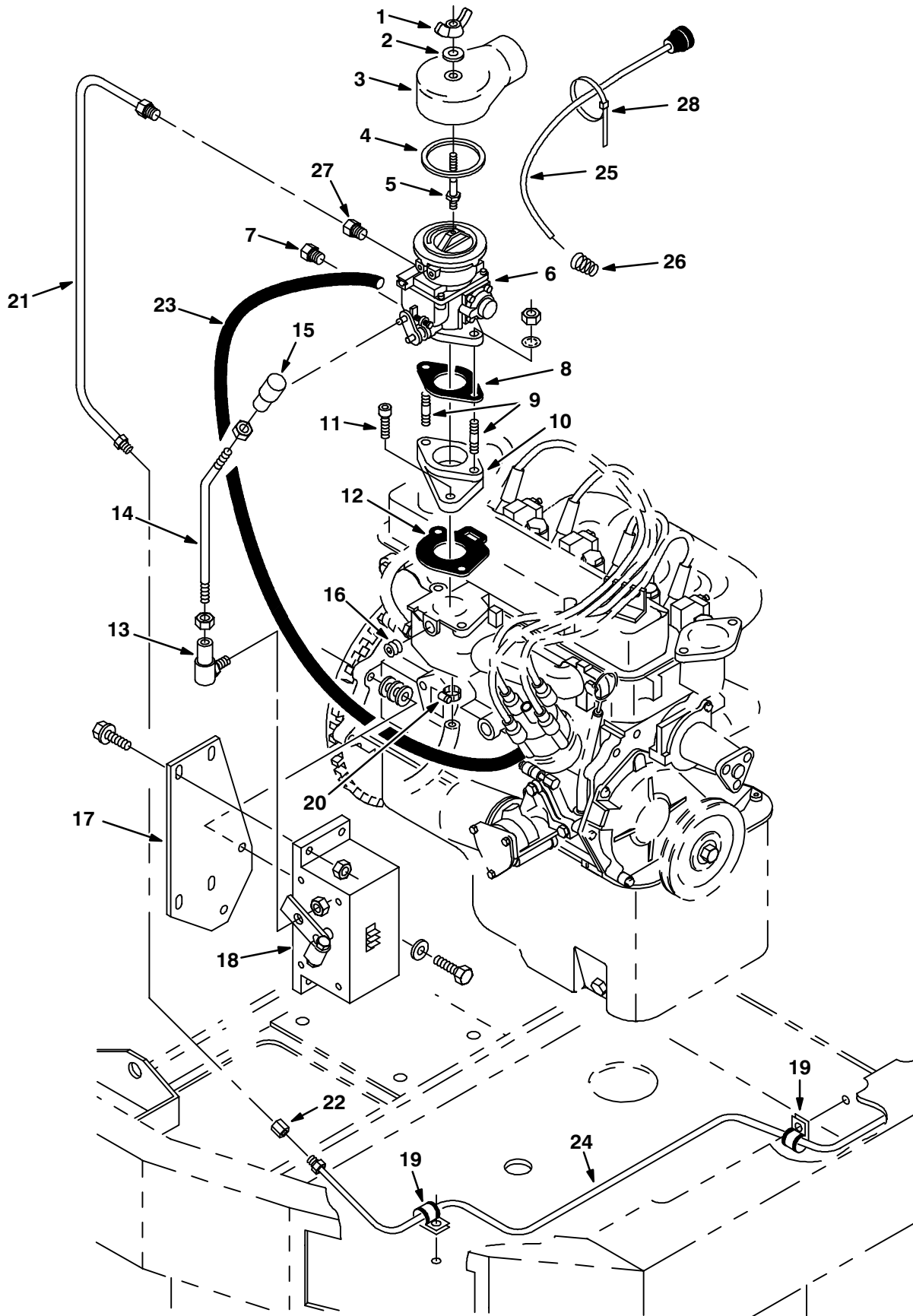


Fig. 16 – Carburetor Group

Fig. 16 – Carburetor Group

Key	TENNANT Part No.	Machine Serial Number	Description	Qty.
1	07252	(030000–030999)	Nut, Wing	1
2	07251	(030000–030999)	Washer, Sealing	1
3	57934	(030000–030999)	Adaptor, Carburetor	1
4	16738	(030000–030999)	Gasket, Carburetor Air Horn	1
5	07250	(030000–030999)	Stud, Air Horn	1
6	82674	(030000–030999)	Carburetor	1
	02738	(030000–030999)	Repair Kit, Carburetor	1
7	12045	(030000–030999)	Plug	1
8	54912–8	(030000–030999)	Gasket, Carburetor	1
9	82570	(030000–030999)	Stud	2
10	19614	(030000–030999)	Plate, Carburetor Mounting	1
11	39308	(030000–030999)	Screw, Socket, M8	2
12	07105	(030000–030999)	Gasket, Carburetor	1
13	14601	(030000–030999)	Ball Joint	1
14	19560	(030000–030999)	Stud, Carburetor	1
15	50332–1	(030000–030999)	Ball Joint	1
16	02247	(030000–030999)	Fitting, Plug	1
17	19654	(030000–030999)	Plate, Mounting	1
18	07539	(030000–030999)	Actuator, Governor	1
19	76736	(030000–030999)	Clamp, Cable	2
20	63810	(030000–030999)	Clamp, Worm Drive	1
21	19717	(030000–030999)	Fuel Line	1
22	25610	(030000–030999)	Fitting, Union	1
23	19774	(030000–030999)	Hose, Vacuum	1
24	25609	(030000–030999)	Fuel Line	1
25	17409	(030000–030999)	Cable Assembly, Choke	1
26	58846	(030000–030999)	Spring, Compression	1
27	40585	(030000–030999)	Fitting, Straight	1
28	49266	(030000–030999)	Tie, Cable	1

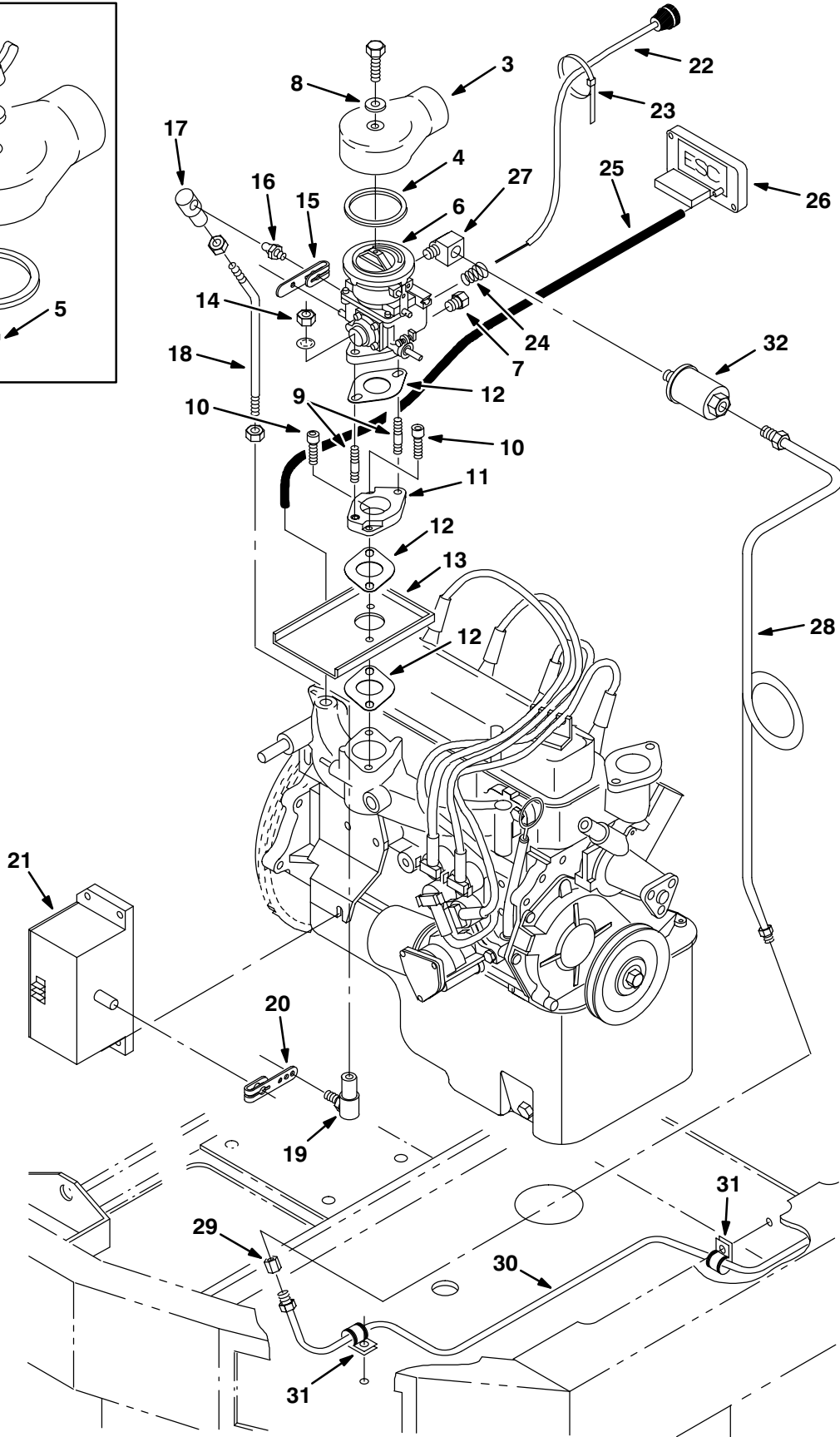
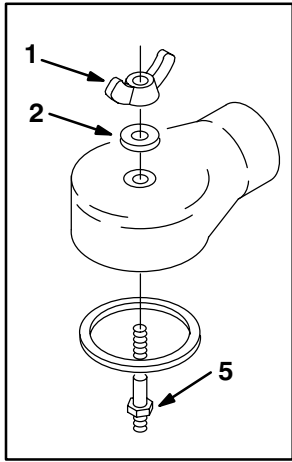


Fig. 17 – Carburetor Group, Distributorless (DIS)

Fig. 17 – Carburetor Group, Distributorless (DIS)

Key	TENNANT Part No.	Machine Serial Number	Description	Qty.
1	07252	(031000-033182)	Nut, Wing	1
2	07251	(031000-033182)	Washer, Rubber	1
3	57934	(031000-)	Adaptor, Carburetor	1
4	16738	(031000-)	Gasket, Carburetor	1
5	07250	(031000-033182)	Stud	1
6	30321	(031000-)	Carburetor	1
	02738	(031000-)	Repair Kit, Carburetor	1
7	30325	(031000-)	Plug, Carburetor	1
8	24924	(033183-)	Washer, Nylon	1
9	30324	(031000-)	Stud, M8	2
10	06532	(031000-)	Screw, Socket, M6	2
11	74345	(031000-)	Adapter, Carburetor Mounting	1
12	74443	(031000-)	Gasket, Carburetor	3
13	31550	(031000-)	Shield, Drip	1
14	39311	(031000-)	Nut, Hex, M8	2
15	30480	(031000-)	Lever, Carburetor	1
16	50332-2	(031000-)	Ball Joint, Stud	1
17	50332-1	(031000-)	Ball Joint	1
18	30320	(031000-)	Rod, Throttle Control	1
19	14601	(031000-)	Ball Joint	1
20	30481	(031000-)	Lever, Governor	1
21	07539	(031000-)	Actuator, Governor	1
22	17409	(031000-)	Cable Assembly, Choke	1
23	49266	(031000-)	Tie, Cable	1
24	58846	(031000-)	Spring, Compression	1
25	39780	(031000-)	Hose, Rubber	1
26	30305	(031000-)	Control Assembly, Ignition	1
27	11984	(031000-)	Fitting, Elbow	1
28	31527	(031000-)	Fuel Line	1
29	25610	(031000-)	Fitting, Straight	1
30	25609	(031000-)	Fuel Line	1
31	76736	(031000-)	Clamp, Cable	2
32	36050	(031000-)	Filter, Fuel	1

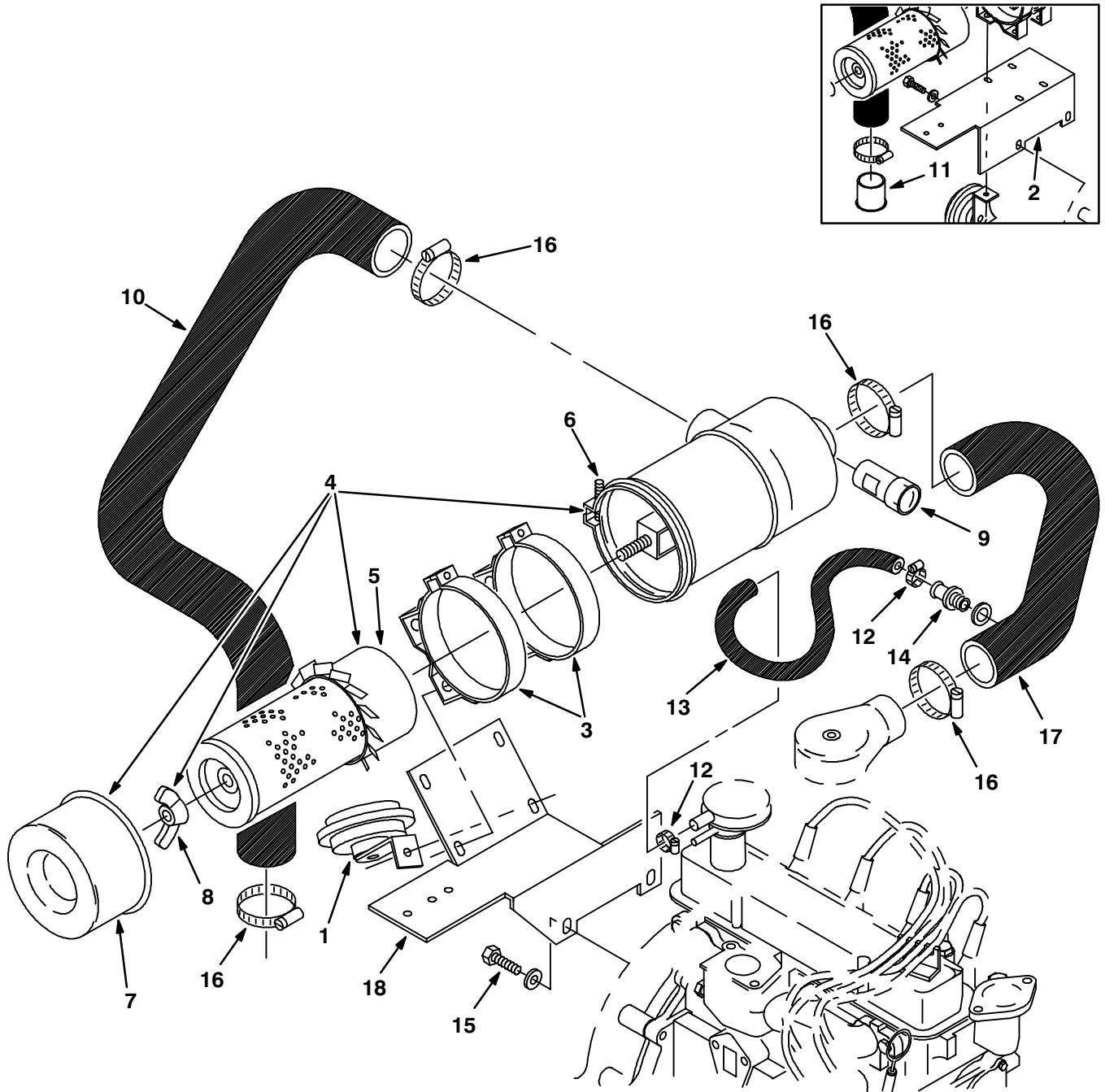


Fig. 18 – Air Cleaner Group

Fig. 18 – Air Cleaner Group

Key	TENNANT Part No.	Machine Serial Number	Description	Qty.
1	14138A	(030000–)	Horn	1
2	32296	(030000–030999)	Bracket Replacement Kit, Mounting	1
3	51560–3	(030000–)	Clamp, Mounting	2
4	58538	(030000–)	Air Cleaner	1
5	58120	(030000–)	Element, Air Filter	1
6	02740	(030000–)	Clamp Assembly	1
7	02741	(030000–)	Cup Assembly	1
8	07562	(030000–)	Nut, Wing	1
9	03026	(030000–)	Indicator, Air Filter Service	1
10	19405	(030000–)	Hose, Air Intake	1
11	58346	(030000–030482)	Tube, Air Intake	1
12	63810	(030000–)	Clamp, Worm Drive	2
13	07362	(030000–030999)	Hose, PCV	1
13	31515	(031000–)	Hose, PCV	1
14	61452	(030000–032178)	Fitting Repl Kit	1
14	60555	(032179–)	Fitting, Straight	1
15	39284	(030000–)	Screw, Hex, M10	2
16	14432	(030000–)	Clamp, Worm Drive	4
17	25617	(030000–030999)	Hose, Air Intake	1
17	31486	(031000–)	Hose, Air Intake	1
18	31511	(031000–)	Bracket, Air Cleaner Mounting	1

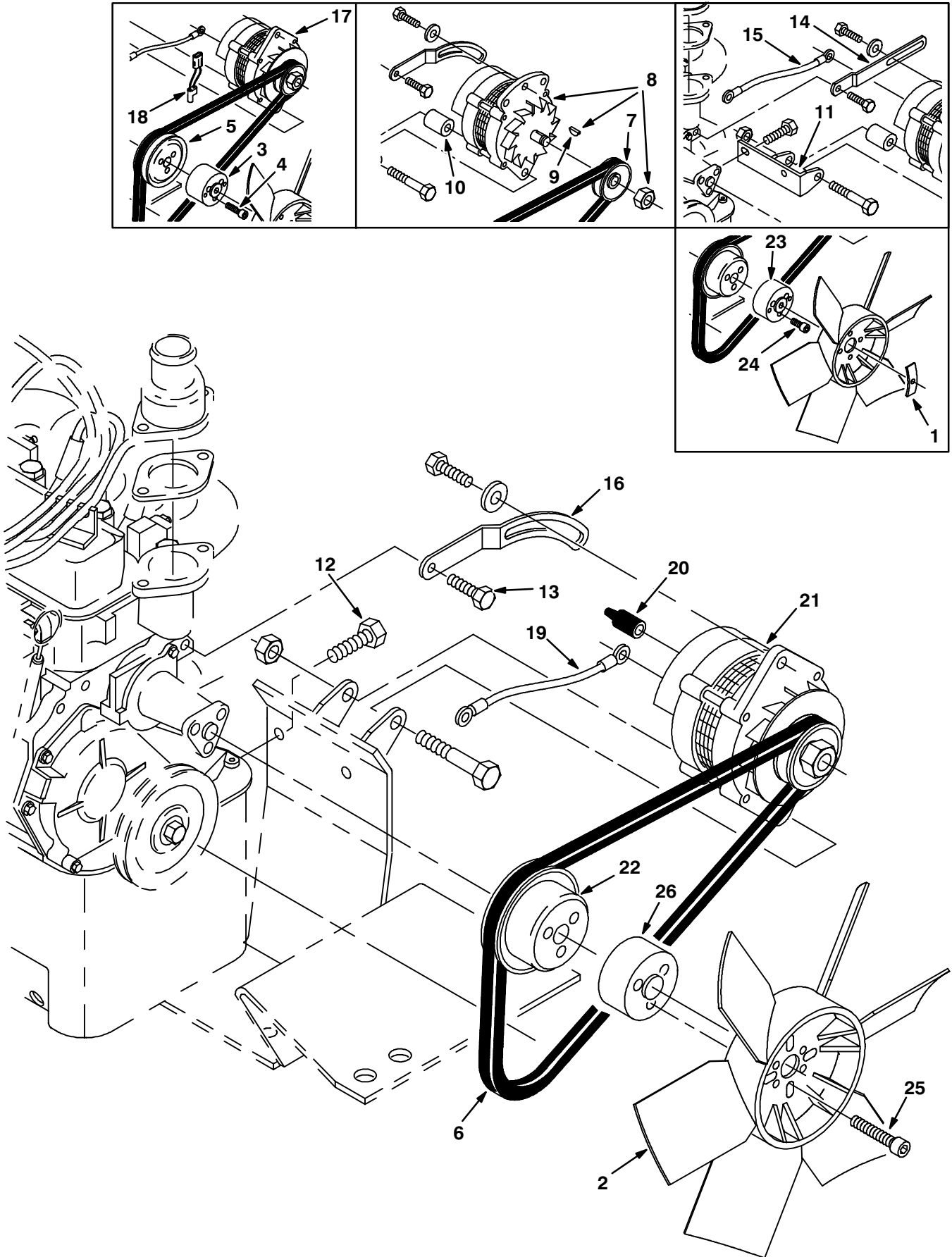


Fig. 19 – Engine Fan and Alternator Group

Fig. 19 – Engine Fan and Alternator Group

Key	TENNANT Part No.	Machine Serial Number	Description	Qty.
1	07254	(030000–032220)	Strap, Fan Support	1
2	30559	(030000–)	Fan	1
3	07253	(030000–031993)	Spacer, Fan	1
4	07255	(030000–031993)	Screw, Socket, M6 (45 mm Long)	3
5	03158	(030000–031993)	Pulley, Water Pump	1
6	07189	(030000–)	V–Belt	1
7	54914	(030000–031432)	Sheave	1
8	03233	(030000–031432)	Alternator, Prestolite	1
9	00500–5	(030000–031432)	Key, Woodruff	1
	61515	(030000–031432)	Diode And Rectifier Assembly	1
	61516	(030000–031432)	Brush Assembly, Alternator	1
	01844	(030000–031432)	Bearing, Ball	1
	61517	(030000–031432)	Regulator, Voltage	1
10	54959	(030000–031432)	Spacer	1
11	07128	(030000–030999)	Bracket, Alternator	1
12	39283	(030000–)	Screw, Hex, M10	2
13	16931	(030000–)	Screw, Hex, M8	1
14	07113	(030000–030999)	Arm, Alternator	1
15	31525	(030000–030999)	Wire, Alternator Ground	1
16	31526	(031000–)	Arm, Alternator	1
17	60445	(031433–032044)	Alternator Replacement Kit	1
18	30453	(031433–032044)	Wire Assembly	1
19	82731	(031000–)	Wire, Alternator Ground	1
20	61363	(032045–)	Boot, Alternator	1
21	60559	(032045–)	Alternator, Mando	1
	61931	(032045–)	Regulator Assembly	1
	86041	(032045–)	Bearing, Ball	1
	61529	(032045–)	Brush Kit	1
	61531	(032045–)	Rectifier Assembly	1
	70160	(032045–)	Alternator, Pulley	1
22	30553	(031994–)	Sheave, Water Pump	1
23	30575	(031994–032220)	Spacer Replacement Kit, Fan	1
24	30556	(031994–032220)	Screw, Socket, M6 (35 mm Long)	3
25	30568	(032221–)	Screw, Socket, M6 (50 mm Long)	3
26	30571	(032221–)	Spacer, Fan	1

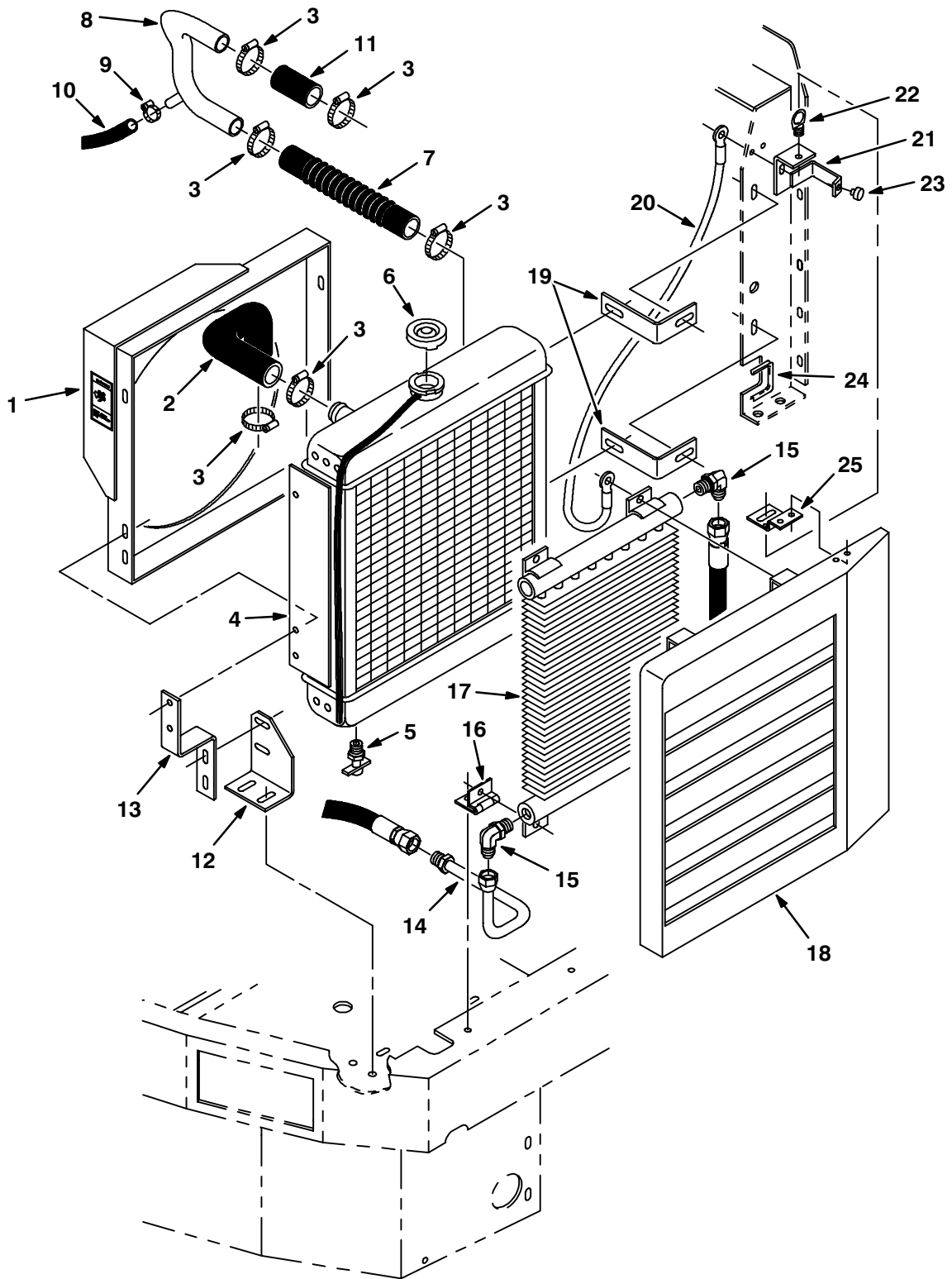


Fig. 20 – Radiator Group

Fig. 20 – Radiator Group

Key	TENNANT Part No.	Machine Serial Number	Description	Qty.
1	19115	(030000–030999)	Guard and Label Assembly, Fan	1
2	19559	(030000–030999)	Hose, Upper Radiator	1
3	11531	(030000–030999)	Clamp, Worm Drive	6
4	19107	(030000–030999)	Radiator	1
5	54911–32	(030000–030999)	Cock, Drain	1
6	82688	(030000–030999)	Cap, Radiator	1
7	03176	(030000–030999)	Hose, Lower Radiator	1
8	06999	(030000–030999)	Tube, Lower Radiator Hose	1
9	63810	(030000–030999)	Clamp, Worm Drive	1
10	19752	(030000–030999)	Hose, Heater	1
11	62378	(030000–030999)	Hose, Radiator	1
12	19111	(030000–030999)	Bracket, Radiator Mounting	1
13	19113	(030000–030999)	Bracket, Radiator Mounting	1
14	19555	(030000–030999)	Tube, Hydraulic	1
15	46481	(030000–030999)	Fitting, Elbow	2
16	19138	(030000–030999)	Hinge, Cooler	2
17	31592	(030000–030999)	Cooler, Hydraulic	1
18	19211	(030000–030999)	Grille	1
19	19114	(030000–030999)	Bracket, Radiator Mounting	2
20	19676	(030000–030999)	Cable Assembly, Lanyard	1
21	19698	(030000–030999)	Bracket, Latch	1
22	82315	(030000–030999)	Latch, Quarter Turn	1
23	51787	(030000–030999)	Bumper, Rubber	1
24	62595–3	(030000–030999)	Molding, Rigid	1
25	19695	(030000–030999)	Hinge, Radiator Grille	1

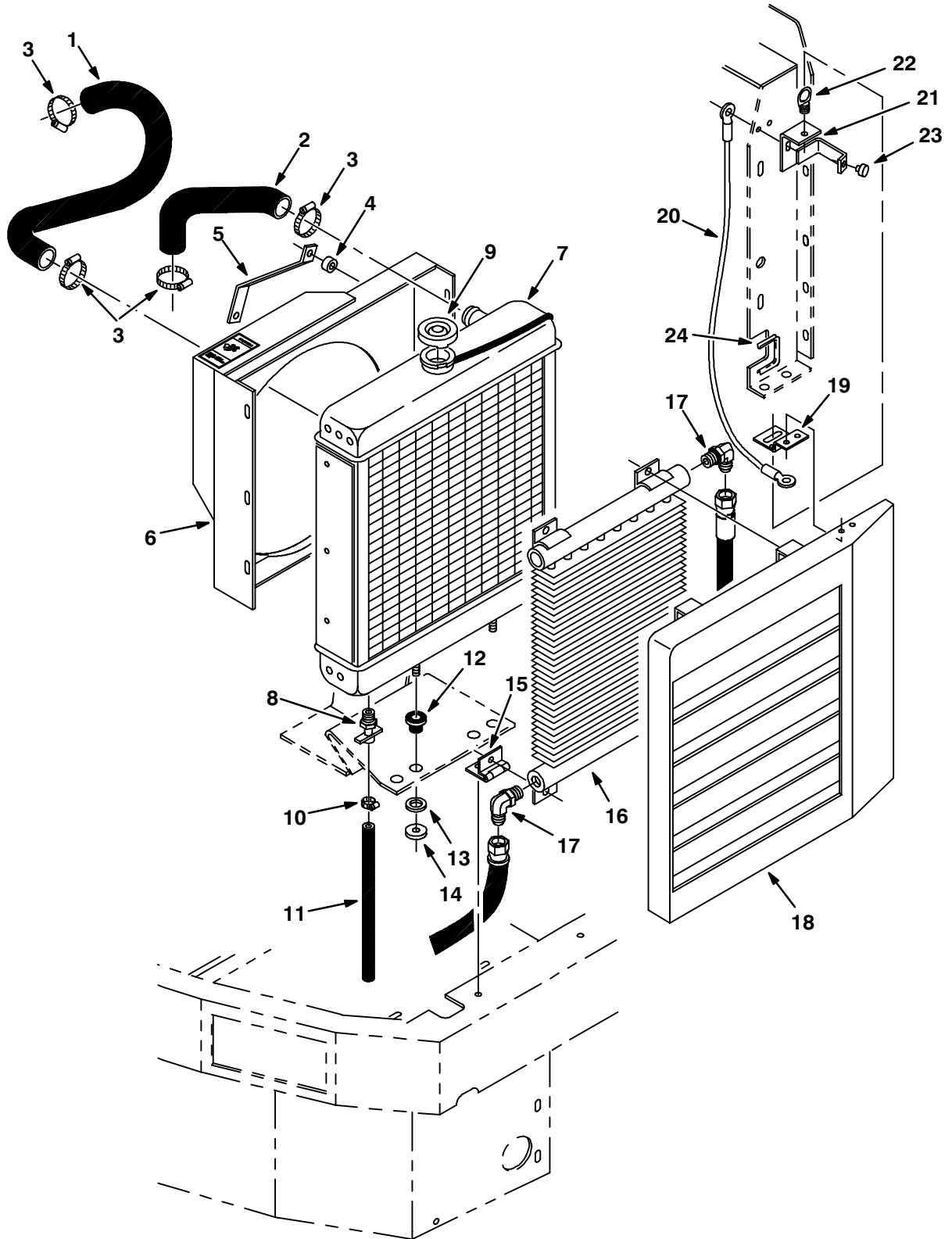


Fig. 21 – Radiator Group, Distributorless (DIS)

Fig. 21 – Radiator Group, Distributorless (DIS)

Key	TENNANT Part No.	Machine Serial Number	Description	Qty.
1	31518	(031000–)	Hose, Radiator	1
2	31517	(031000–)	Hose, Radiator, Upper	1
3	11531	(031000–)	Clamp, Worm Drive	4
4	69462	(031000–)	Sleeve	1
5	30354	(031000–)	Bar, Support	1
6	31509	(031000–)	Guard and Label Assembly	1
7	31490	(031000–032208)	Radiator Replacement Kit	1
7	55225	(032209–)	Radiator	1
8	54911–32	(031000–)	Cock, Drain	1
9	31755	(031000–)	Cap, Radiator	1
10	43844	(031000–)	Clamp, Worm Drive	1
11	69276	(031000–)	Hose, Vinyl	1
12	54274	(031000–)	Isolator, Vibration	2
13	09832	(031000–)	Washer	2
14	13248	(031000–)	Washer	2
15	19138	(031000–)	Hinge, Oil Cooler	2
16	31592	(031000–)	Cooler, Hydraulic	1
17	46481	(031000–)	Fitting, Elbow	2
18	19211	(031000–)	Grille	1
19	19695	(031000–)	Hinge, Radiator Grille	1
20	19676	(031000–)	Cable Assembly, Lanyard	1
21	19698	(031000–)	Bracket, Latch	1
22	82315	(031000–)	Latch, Quarter Turn	1
23	51787	(031000–)	Bumper, Rubber	1
24	62595–3	(031000–)	Molding, Trim	1

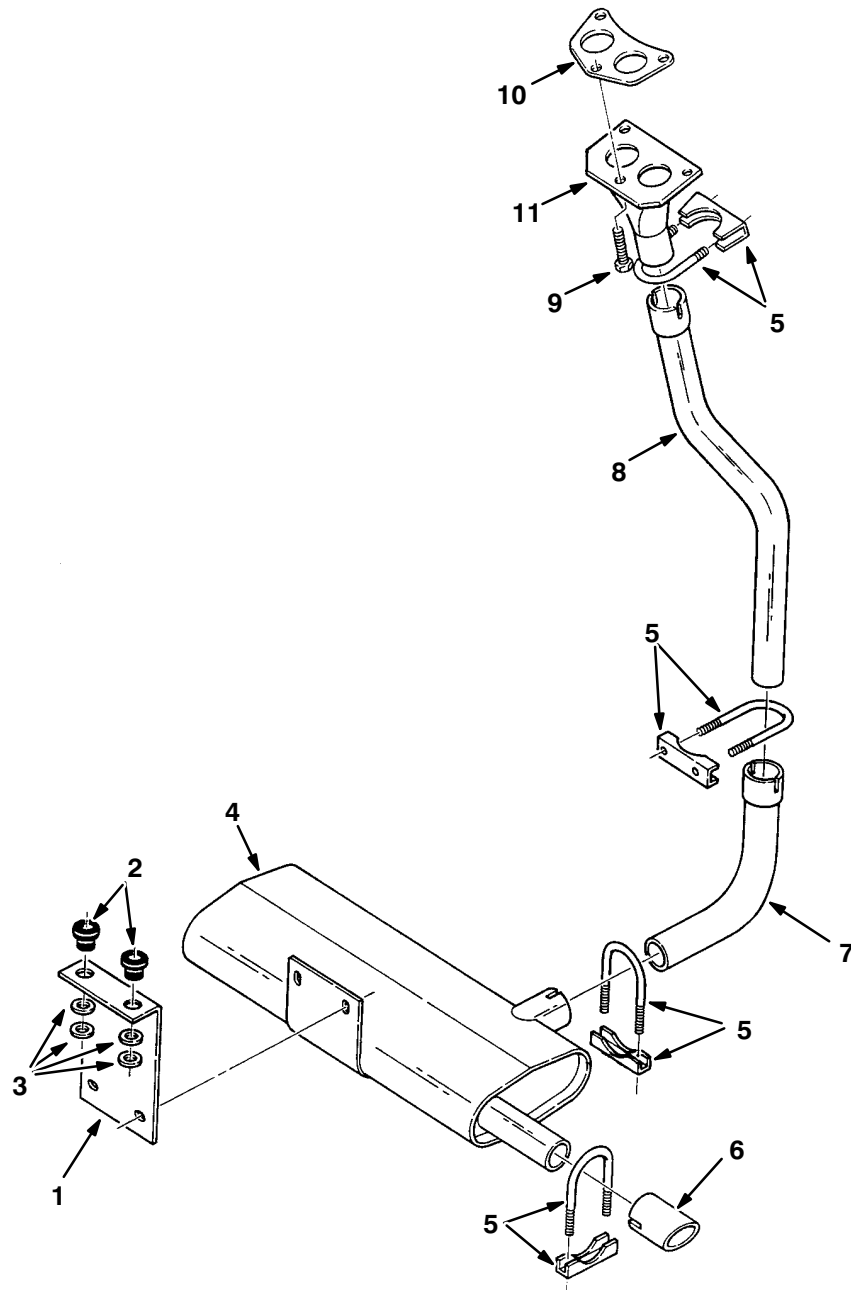


Fig. 22 – Muffler Group

04913

Key	TENNANT Part No.	Machine Serial Number	Description	Qty.
1	16314	(030000–030999)	Bracket, Muffler	1
2	54274	(030000–030999)	Isolator, Vibration	2
3	09832	(030000–030999)	Washer	4
4	56465	(030000–030999)	Muffler	1
5	24012	(030000–030999)	Clamp, Muffler, 1.62 In. O.D.	4
6	64107	(030000–030999)	Pipe, Tail	1
7	16341	(030000–030999)	Pipe, Exhaust	1
8	19350	(030000–030999)	Pipe, Exhaust	1
9	39283	(030000–030999)	Screw, Hex, M10	3
10	03252	(030000–030999)	Gasket, Exhaust	1
11	03232	(030000–030999)	Collector, Exhaust	1

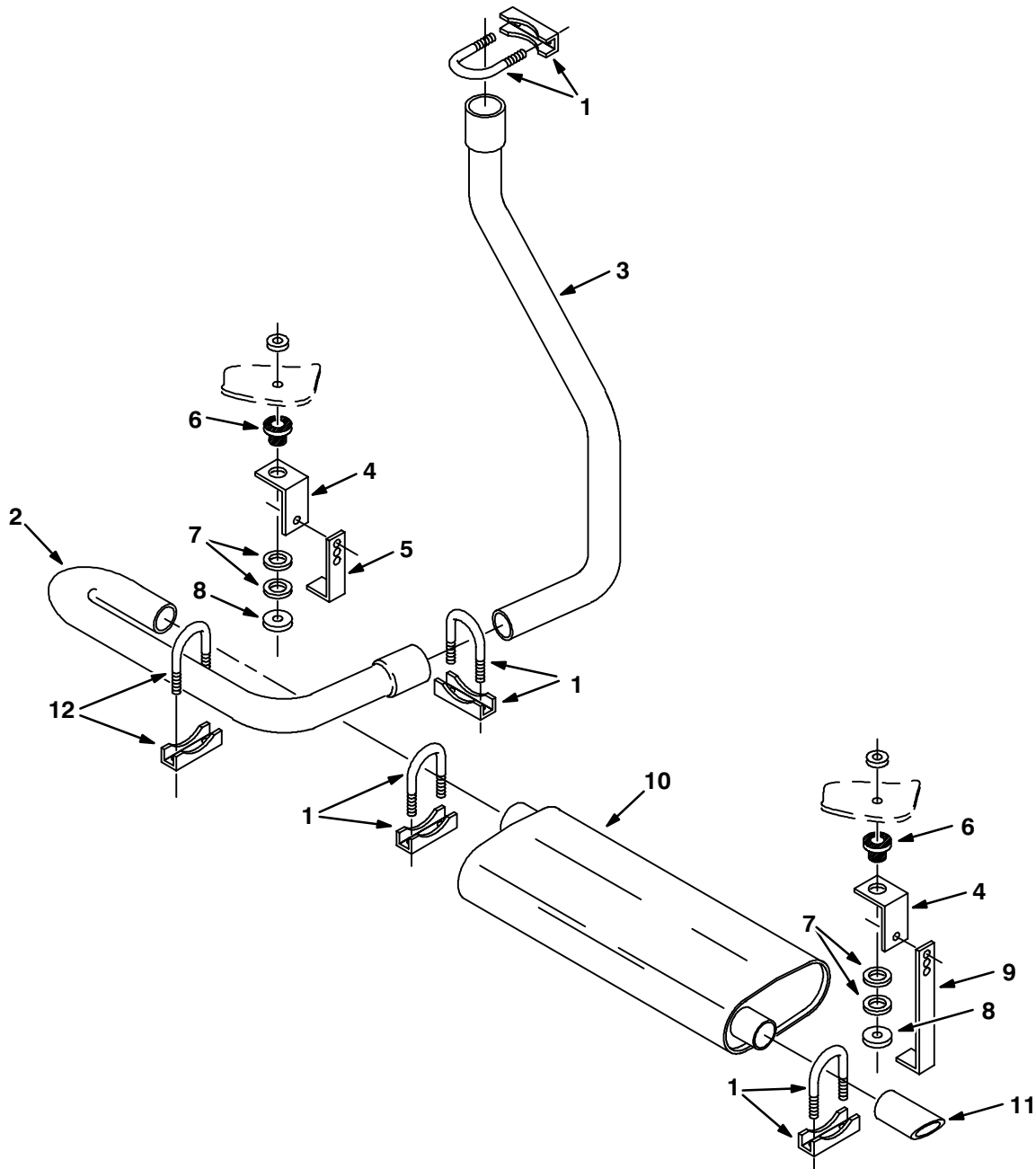


Fig. 23 – Muffler Group, Distributorless (DIS)

05357

Key	TENNANT Part No.	Machine Serial Number	Description	Qty.
1	24012-1	(031000-031451)	Clamp, Muffler, 1.75 In. O.D.	4
2	31522	(031000-031451)	Tube, Exhaust	1
3	31521	(031000-031451)	Pipe, Exhaust	1
4	47989	(031000-031451)	Bracket, L	2
5	31523	(031000-031451)	Bracket	1
6	54274	(031000-031451)	Isolator, Vibration	2
7	09832	(031000-031451)	Washer	4
8	13248	(031000-031451)	Washer	2
9	64636	(031000-031451)	Bracket, L	1
10	33333	(031000-031451)	Muffler	1
11	64107	(031000-031451)	Pipe, Tail	1
12	24012	(031000-031451)	Clamp, Muffler, 1.62 In. O.D.	1

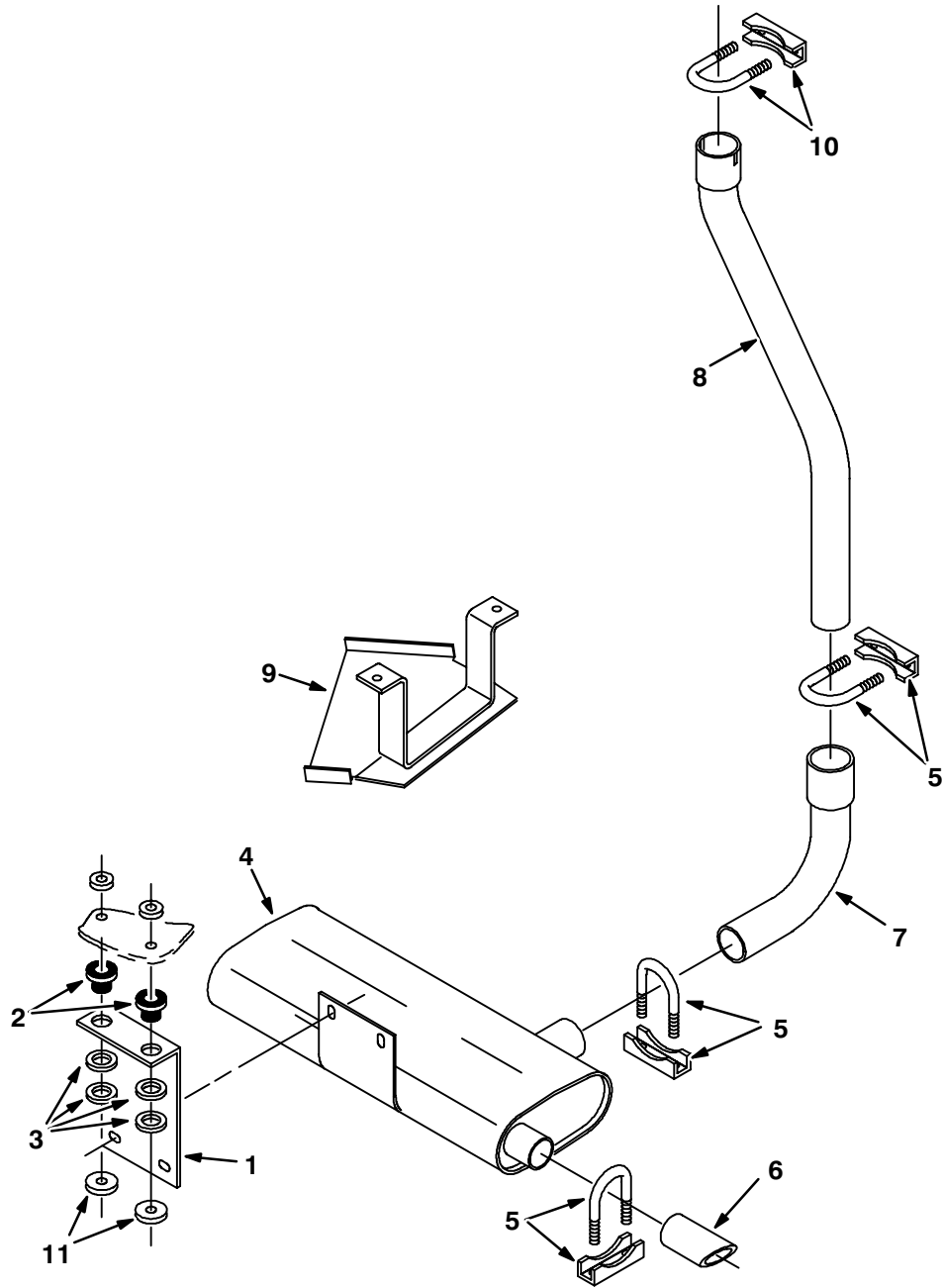


Fig. 24 – Muffler Group, Distributorless (DIS)

07036

Key	TENNANT Part No.	Machine Serial Number	Description	Qty.
1	16314	(031452-)	Bracket, Muffler	1
2	54274	(031452-)	Isolator, Vibration	2
3	09832	(031452-)	Washer	4
4	56465	(031452-)	Muffler	1
5	24012	(031452-)	Clamp, Muffler, 1.62 In. O.D.	3
6	64107	(031452-)	Pipe, Tail	1
7	16341	(031452-)	Pipe, Exhaust	1
8	31683	(031452-)	Tube, Top Exhaust	1
9	65574	(031452-)	Shield, Drip	1
10	24012-1	(031452-)	Clamp, Muffler, 1.75 In. O.D.	1
11	13248	(031452-)	Washer	4

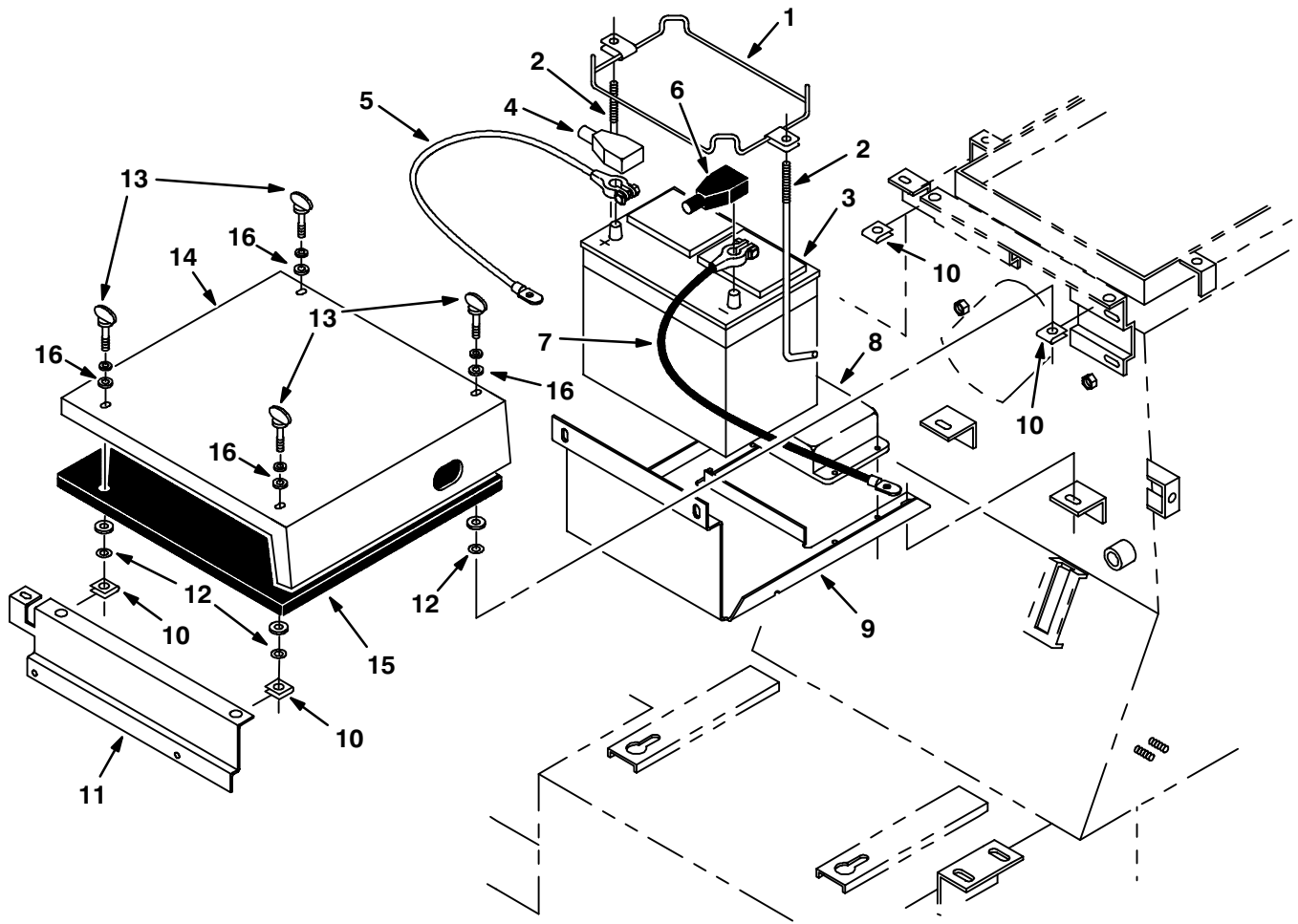


Fig. 25 – Battery Group

04672

Key	TENNANT Part No.	Machine Serial Number	Description	Qty.
1	13016	(030000–)	Bracket, Battery Hold-Down	1
2	13015	(030000–)	Bolt, Battery Hold-Down	2
3	10137	(030000–)	Battery, 12 V 475 ccA, Wet	1
4	68873	(030000–)	Boot, Battery Terminal	1
5	29830-3	(030000–)	Cable, Positive Battery	1
6	68872	(030000–)	Boot, Battery Terminal	1
7	34821	(030000–)	Cable, Negative Battery	1
8	07540	(030000-030999)	Control Box, Governor	1
8	65396	(031000-032184)	Control Box Replacement Kit, Governor	1
8	56235	(032185–)	Control Box, Governor	1
9	19543	(030000–)	Tray, Battery	1
10	28165	(030000–)	Fastener	4
11	19542	(030000–)	Bracket	1
12	08156	(030000–)	Retainer, Screw	4
13	25665	(030000-031392)	Screw Kit, Thumb	4
13	25656	(031393–)	Screw, Thumb	4
14	19173	(030000–)	Cover, Battery	1
15	19172	(030000–)	Insulation, Acoustic	1
16	25664	(031393–)	Washer, Nylon	4

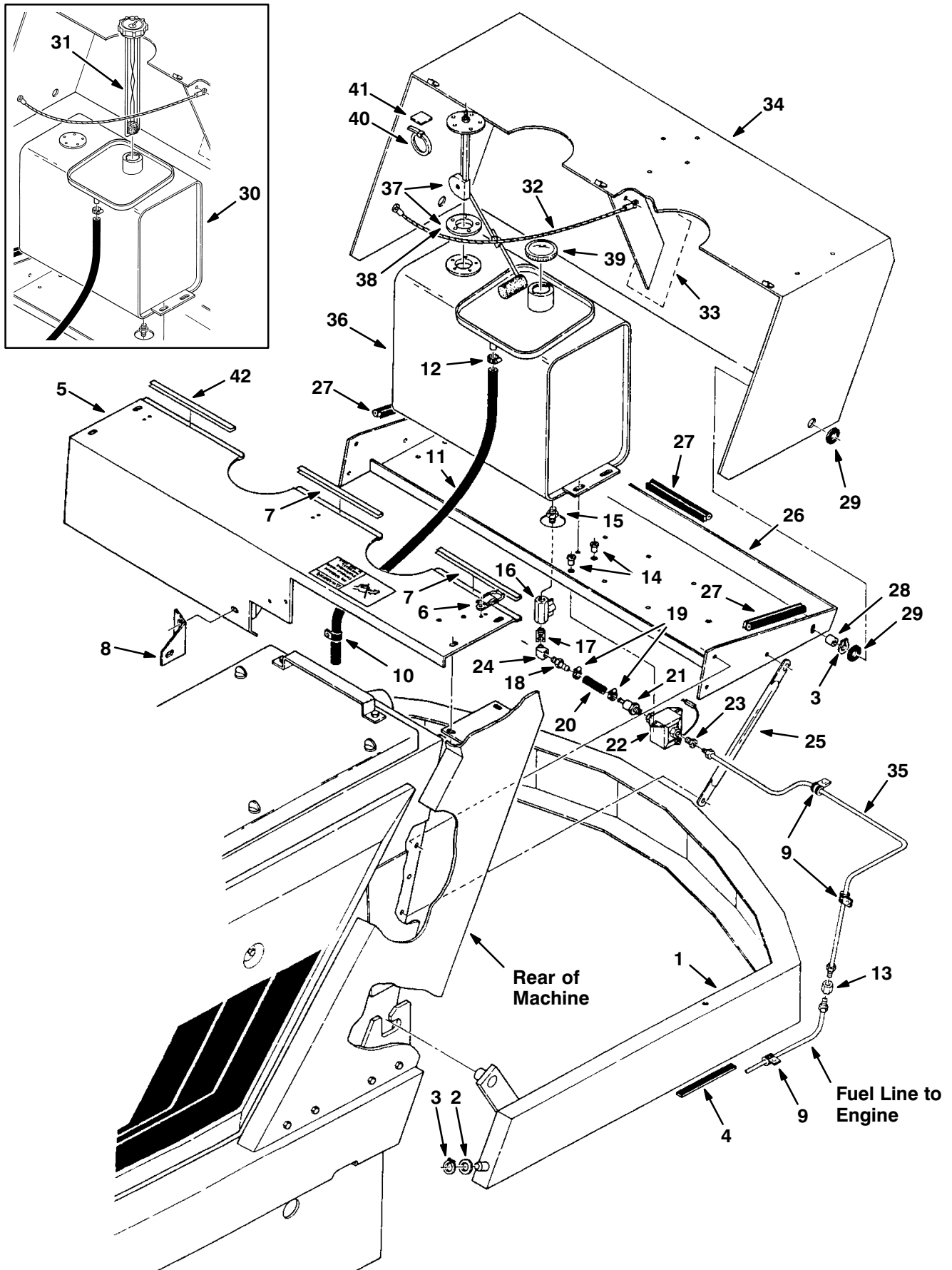


Fig. 26 – Fuel Tank and Shrouds Group

Fig. 26 – Fuel Tank and Shrouds Group

Key	TENNANT Part No.	Machine Serial Number	Description	Qty.
1	64476	(030000–031308)	Bumper, Rear	1
2	64489	(030000–031308)	Washer	16
3	23524–4	(030000–031308)	Ring, Retaining	4
4	56779	(030000–031308)	Strip, Rubber	2
5	25590	(030000–031308)	Deck and Label Assembly, Rear	1
6	37083–1	(030000–031308)	Catch	3
7	59118–5	(030000–031308)	Molding, Trim	2
8	57430	(030000–031308)	Bracket, Rear Deck Brace	1
9	76736	(030000–031308)	Clamp, Cable	3
10	49287	(030000–031308)	Clamp, Cable	1
11	16387	(030000–031308)	Hose	1
12	54333	(030000–031308)	Clamp, Worm Drive	1
13	25610	(030000–031308)	Fitting, Straight	1
14	41845	(030000–031308)	Nut, Well	2
15	47566	(030000–031308)	Fitting, Straight	1
16	07885	(030000–031308)	Valve, Ball	1
17	11984	(030000–031308)	Fitting, Elbow	1
18	82544	(030000–031308)	Fitting, Straight	1
19	43844	(030000–031308)	Clamp, Worm Drive	2
20	82526	(030000–031308)	Hose, Fuel Line	1
21	57449	(030000–031308)	Filter, Fuel	1
22	19171	(030000–031308)	Pump, Fuel	1
23	40585	(030000–031308)	Fitting, Straight	1
24	24976	(030000–031308)	Fitting, Elbow, 45°	1
25	57458	(030000–031308)	Bar, Support	2
26	57100	(030000–031308)	Tray, Rear	1
27	57818	(030000–031308)	Seal	3
28	06225	(030000–031308)	Sleeve	2
29	76979	(030000–031308)	Bearing, Thrust	4
30	82728	(030000–030343)	Tank, Fuel	1
31	82730	(030000–030343)	Cap, Fuel Tank	1
32	36192	(030000–031308)	Lanyard Assembly	1
33	57461	(030000–031308)	Tape, Protective	1
34	57149	(030000–031308)	Shroud, Rear	1
35	25608	(030000–031308)	Fuel Line	1
36	82729	(030344–031308)	Tank, Fuel, (With Sending Unit)	1
37	07874	(030344–031308)	Sending Unit	1
38	14131	(030344–031308)	Gasket	1
39	48267	(030344–031308)	Cap, Gas	1
40	49266	(030344–031308)	Tie, Cable	2
41	55248	(030344–031308)	Mount, Cable	2
42	59118–3	(030000–031308)	Molding, Trim	1

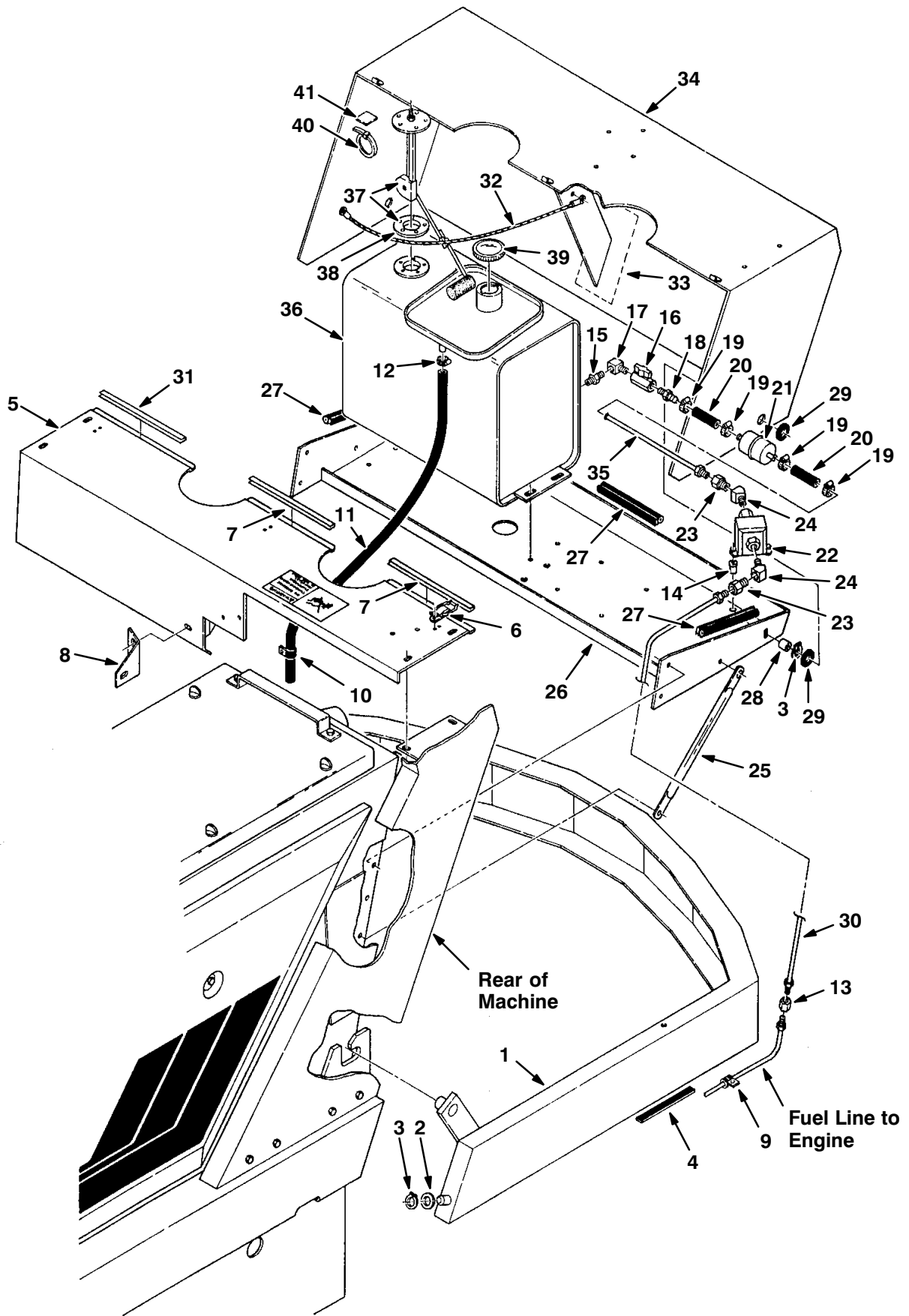


Fig. 27 – Fuel Tank and Shrouds Group

Fig. 27 – Fuel Tank and Shrouds Group

Key	TENNANT Part No.	Machine Serial Number	Description	Qty.
1	64476	(031309–)	Bumper, Rear	1
2	64489	(031309–)	Washer	16
3	23524–4	(031309–)	Ring, Retaining	4
4	56779	(031309–)	Strip, Rubber	2
5	25590	(031309–)	Deck and Label Assembly, Rear	1
6	37083–1	(031309–)	Catch	3
7	59118–5	(031309–)	Molding, Trim	2
8	57430	(031309–)	Bracket, Rear Deck Brace	1
9	76736	(031309–)	Clamp, Cable	1
10	49287	(031309–)	Clamp, Cable	1
11	16387	(031309–)	Hose	1
12	54333	(031309–)	Clamp, Worm Drive	1
13	25610	(031309–)	Fitting, Straight	1
14	41845	(031309–)	Nut, Well	2
15	47566	(031309–)	Fitting, Straight	1
16	07885	(031309–)	Valve, Ball	1
17	11984	(031309–)	Fitting, Elbow	1
18	82544	(031309–)	Fitting, Straight	1
19	43844	(031309–)	Clamp, Worm Drive	4
20	82526	(031309–)	Hose, Fuel Line	2
21	82525	(031309–)	Filter, Fuel	1
22	19171	(031309–)	Pump, Fuel	1
23	40585	(031309–)	Fitting, Straight	2
24	24976	(031309–)	Fitting, Elbow, 45°	2
25	57458	(031309–)	Bar, Support	2
26	57100	(031309–)	Tray, Rear	1
27	57818	(031309–)	Seal	3
28	06225	(031309–)	Sleeve	2
29	76979	(031309–)	Bearing, Thrust	4
30	31545	(031309–)	Fuel Line	1
31	59118–3	(031309–)	Molding, Trim	1
32	36192	(031309–)	Lanyard Assembly	1
33	57461	(031309–)	Tape, Protective	1
34	57149	(031309–)	Shroud, Rear	1
35	31544	(031309–)	Fuel Line	1
36	82729	(031309)	Tank, Fuel, (With Sending Unit)	1
37	07874	(031309)	Sending Unit	1
38	14131	(031309)	Gasket	1
39	48267	(031309)	Cap, Gas	1
40	49266	(031309)	Tie, Cable	2
41	55248	(031309)	Mount, Cable	2

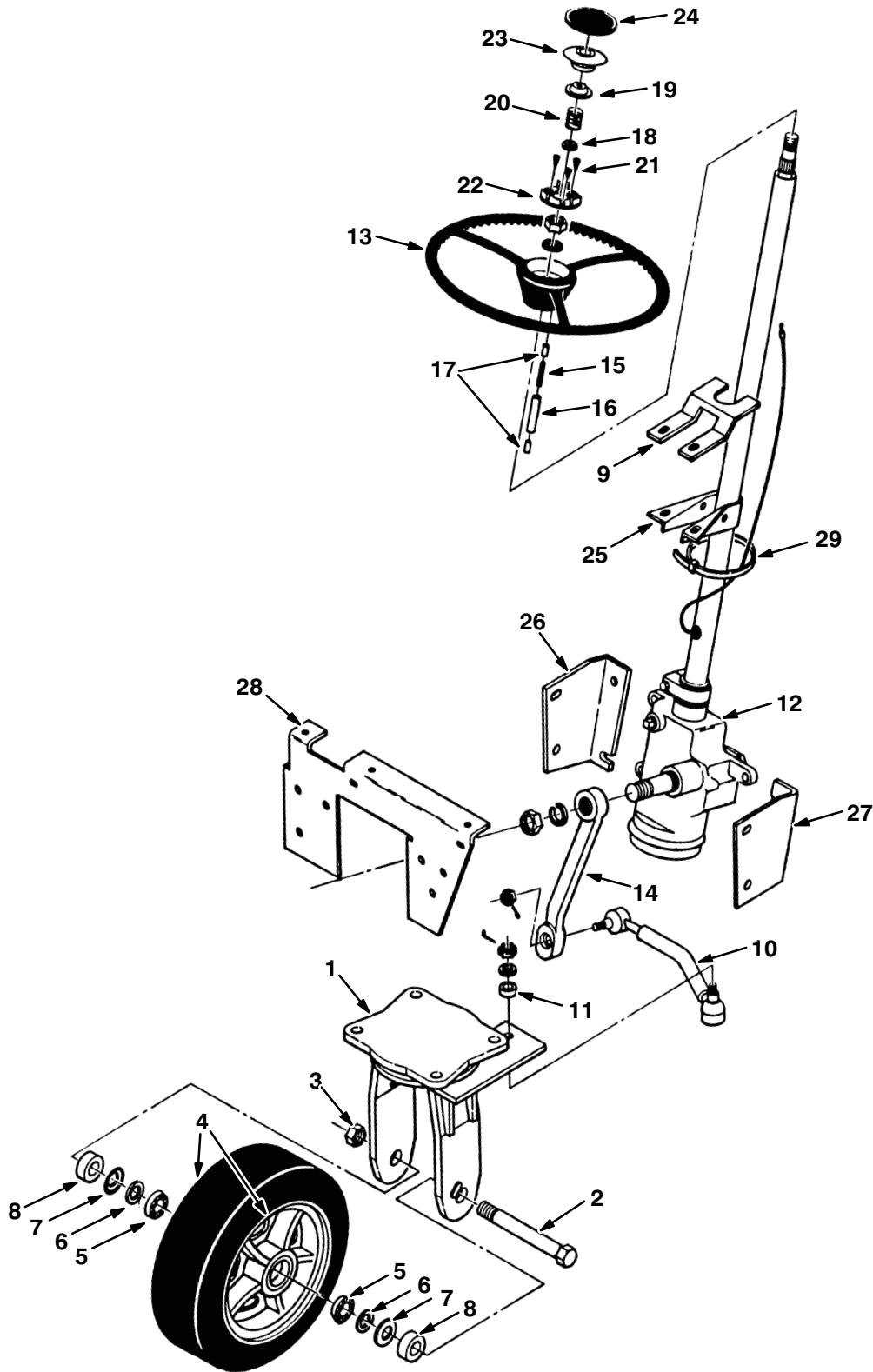


Fig. 28 – Steering Column Assembly

Fig. 28 – Steering Column Assembly

Key	TENNANT Part No.	Machine Serial Number	Description	Qty.
1	57314	(030000–)	Caster Assembly, Steering	1
2	57092	(030000–)	Caster, Steering	1
3	39900	(030000–)	Screw, Hex	1
4	32987	(030000–)	Nut, Hex, Nylon	1
5	60395	(030000–)	Wheel Assembly, Solid	1
6	50078	(030000–)	Tire, Solid	1
7	56851–1	(030000–)	Bearing, Tapered Roller	2
8	56851–3	(030000–)	Washer, Special	2
9	56851–2	(030000–)	Cover, Dust	2
10	56852	(030000–)	Sleeve	2
11	69752	(030000–)	Bracket, Stiffener	1
12	64297	(030000–)	Link Assembly, Steering	1
13	56719	(030000–)	Sleeve, Steel	1
14	57168	(030000–)	Column Assembly, Steering	1
15	57166	(030000–)	Gear Assembly, Steering	1
16	47008	(030000–)	Wheel, Steering	1
17	47009	(030000–)	Arm, Pitman	1
18	47011	(030000–)	Horn Brush Unit Assembly	1
19	46313	(030000–)	Spring, Compression	1
20	46312	(030000–)	Tube, Acrylic	1
21	46311	(030000–)	Brush, Horn	2
22	47010	(030000–)	Button Assembly, Horn	1
23	47010–1	(030000–)	Cap, Contact	1
24	47010–2	(030000–)	Cup, Contact	1
25	47010–3	(030000–)	Spring, Horn Button	1
26	47010–4	(030000–)	Screw, Wood	3
27	47010–5	(030000–)	Plate Assembly, Base	1
28	47010–6	(030000–)	Button, Horn	1
29	47010–7	(030000–)	Cover, Horn	1
30	23315–2	(030000–)	Support, Steering Column	1
31	64358	(030000–)	Bracket, Gear Steering, R.H.	1
32	64359	(030000–)	Bracket, Gear Steering	1
33	64777–1	(030000–)	Bracket, Steering	1
34	49263	(030000–)	Tie, Cable, 11 in (280 mm)	1

STANDARD MODEL PARTS

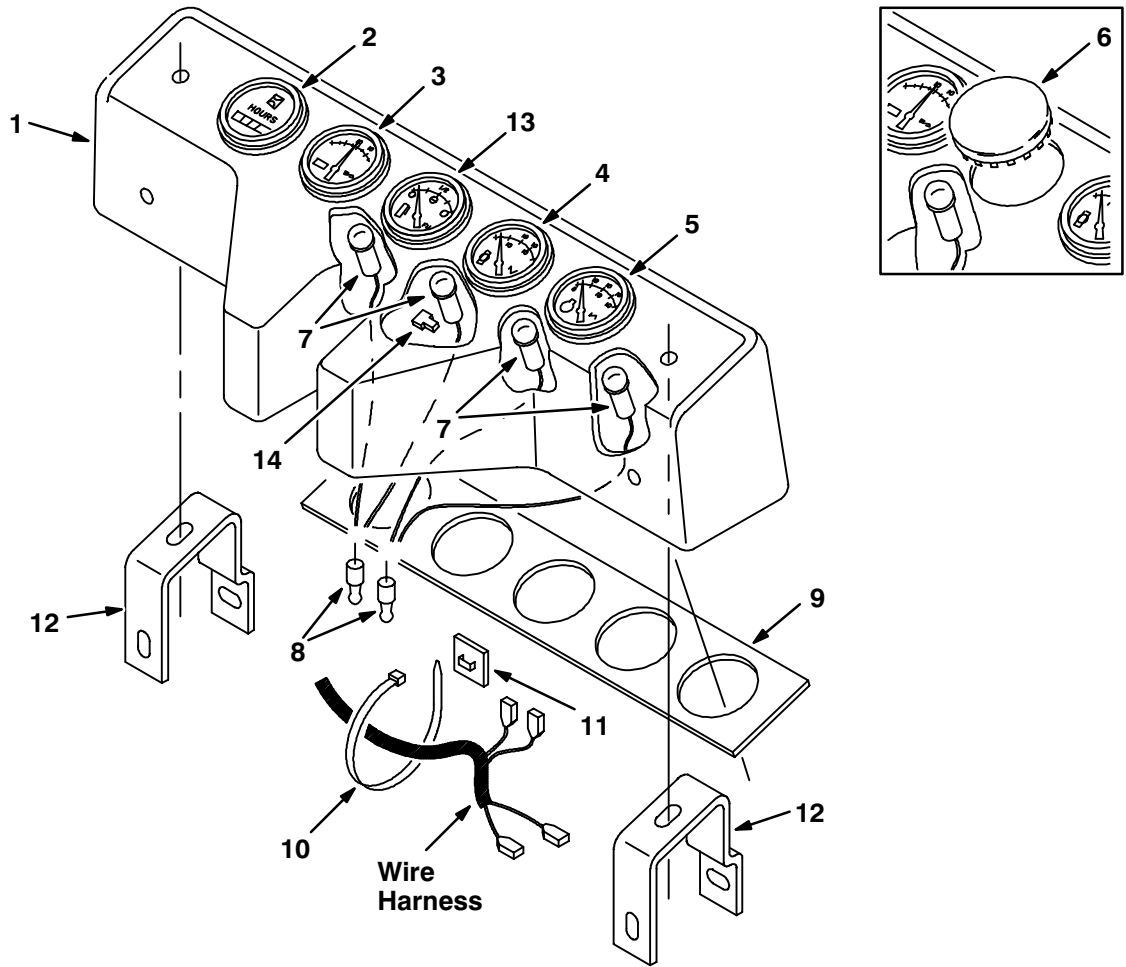


Fig. 29 – Front Instrument Panel Group

04689

Key	TENNANT Part No.	Machine Serial Number	Description	Qty.
1	19199	(030000–)	Panel, Instrument	1
2	34810	(030000–)	Hourmeter	1
3	55557	(030000–)	Gauge, Voltage	1
4	58591	(030000–)	Gauge, Water Temperature	1
5	07056	(030000–)	Gauge, Oil Pressure	1
6	82747	(030000–003043)	Plugbutton	1
7	55271	(030000–)	Light Assembly, Instrument	4
	48570	(030000–)	Bulb, 12V	1
8	55272	(030000–)	Plug, Snap Terminal	2
9	19675	(030000–)	Plate, Gauge	1
10	49266	(030000–)	Tie, Cable	2
11	55248	(030000–)	Mount, Cable Tie	2
12	69214	(030000–)	Bracket, U	2
13	34813	(030344–)	Gauge, Fuel	1
14	68106	(030344–)	Tab, Terminal	2

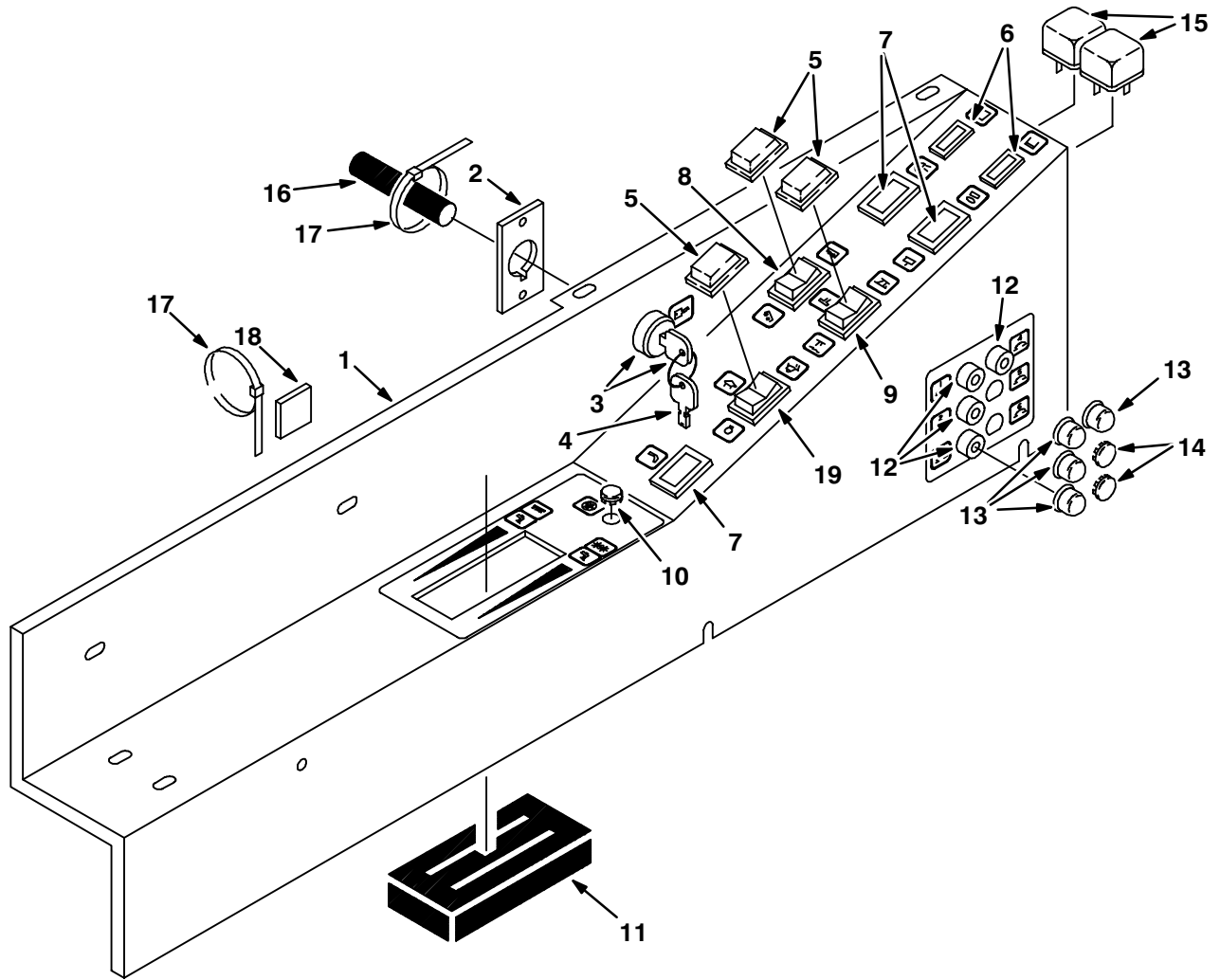


Fig. 30 – Side Instrument Panel Group

04690

Key	TENNANT Part No.	Machine Serial Number	Description	Qty.
1	19169	(030000–)	Panel, Instrument Side	1
2	19768	(030000–)	Plate, Ignition	1
3	87536	(030000–)	Switch, Ignition	1
4	87866	(030000–)	Key Set, Ignition Switch	1
5	57807	(030000–)	Cover, Rocker Switch	3
6	64141	(030000–)	Light Assembly, Panel	2
7	57772	(030000–)	Plate, Cover	3
8	65555	(030000–)	Switch, Rocker, DPDT (MOM)	1
9	65553	(030000–)	Switch, Rocker, DPDT	1
10	56992	(030000–)	Plugbutton	1
11	19674	(030000–)	Seal, Control Panel	1
12	57803	(030000–)	Breaker, Circuit, 15 A	4
13	57751	(030000–)	Boot, Circuit Breaker	4
14	57167	(030000–)	Plugbutton	2
15	10865	(030000–)	Relay, 12 V, SPDT	2
16	57315	(030000–)	Sleeve, Nylon	1
17	49266	(030000–)	Tie, Cable	3
18	55248	(030000–)	Mount, Cable	1
19	61969	(030000–)	Switch, Rocker, DPDT	1

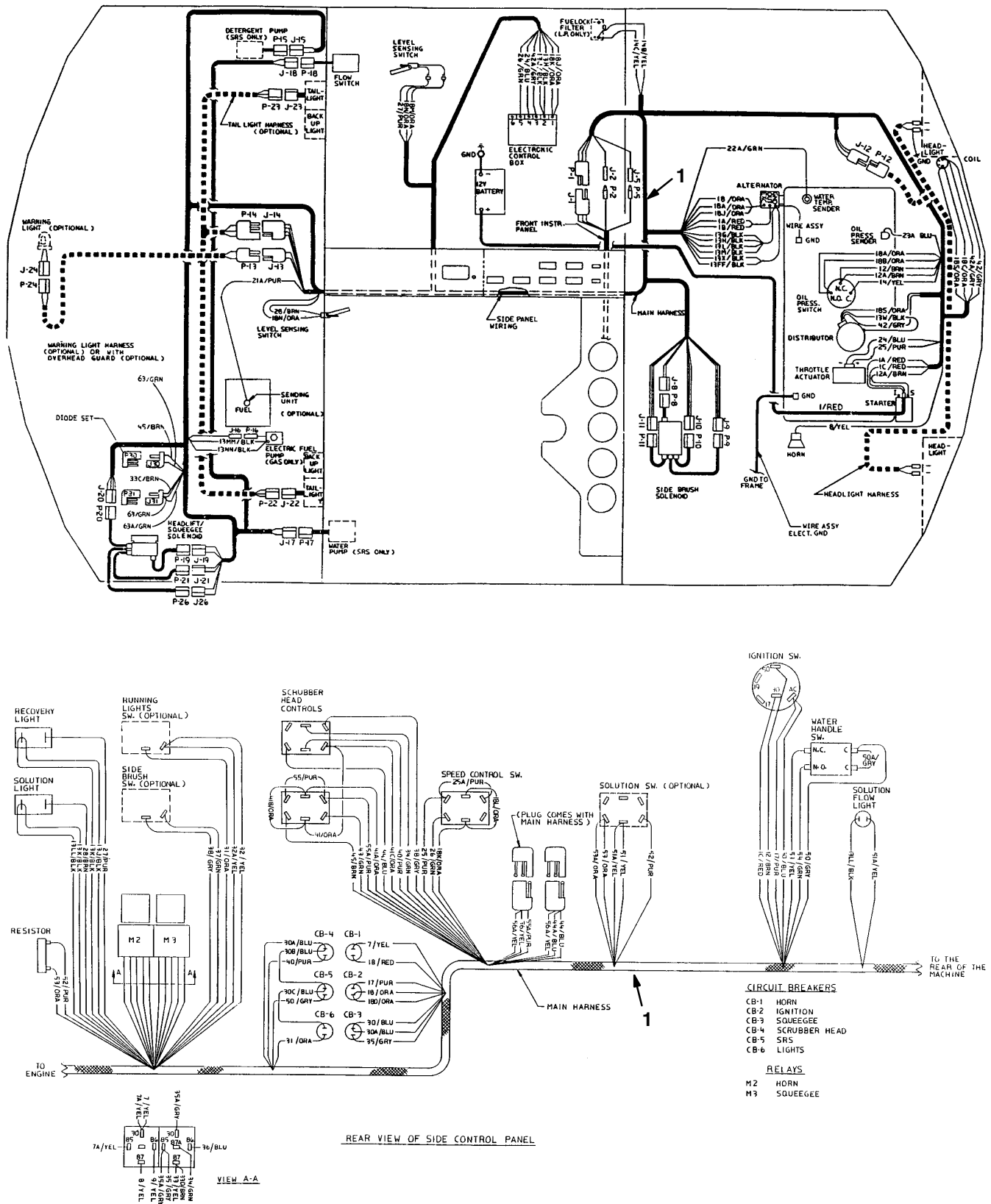


Fig. 31 – Wire Harness Group

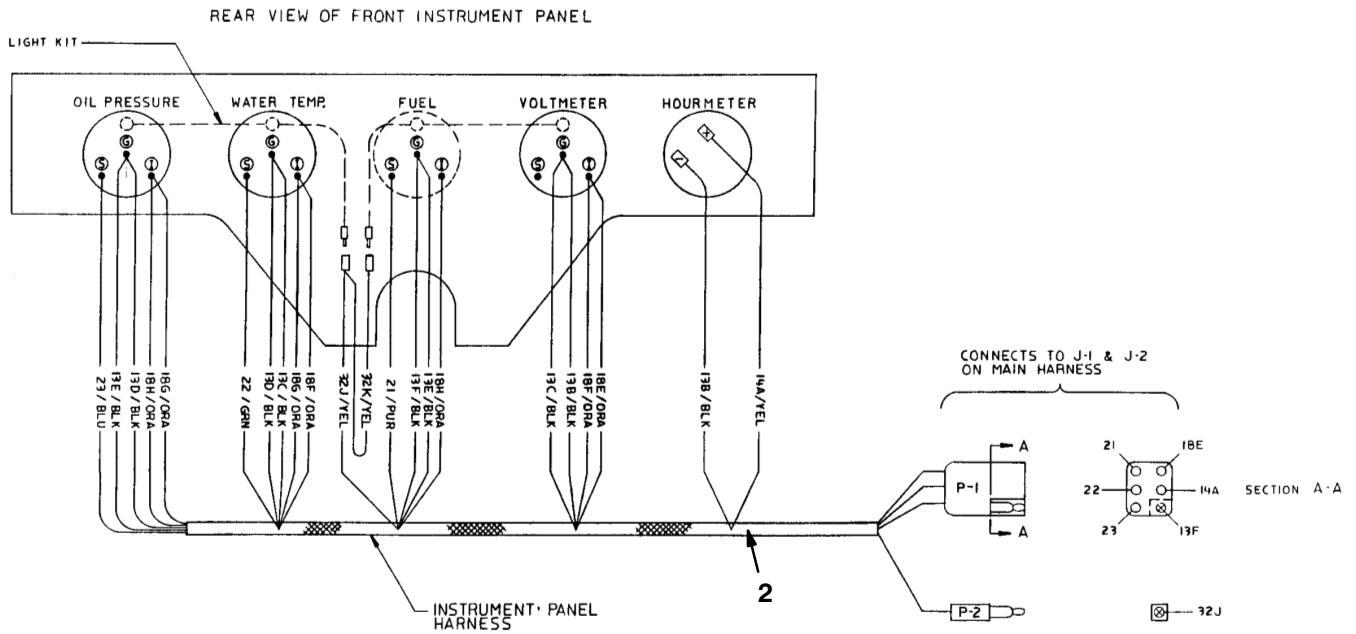


Fig. 31 – Wire Harness Group

04931

Key	TENNANT Part No.	Machine Serial Number	Description	Qty.
1	19462	(030000–030365)	Wire Harness, Main	1
	19756	(030000–030365)	Diode Assembly, Dual, 3 A, 600 V	3
1	31487	(030366–030999)	Wire Harness, Main	1
	19756	(030366–030999)	Diode Assembly, Dual, 3 A, 600 V	2
2	19464	(030000–030999)	Wire Harness, Instrument Panel	1

STANDARD MODEL PARTS

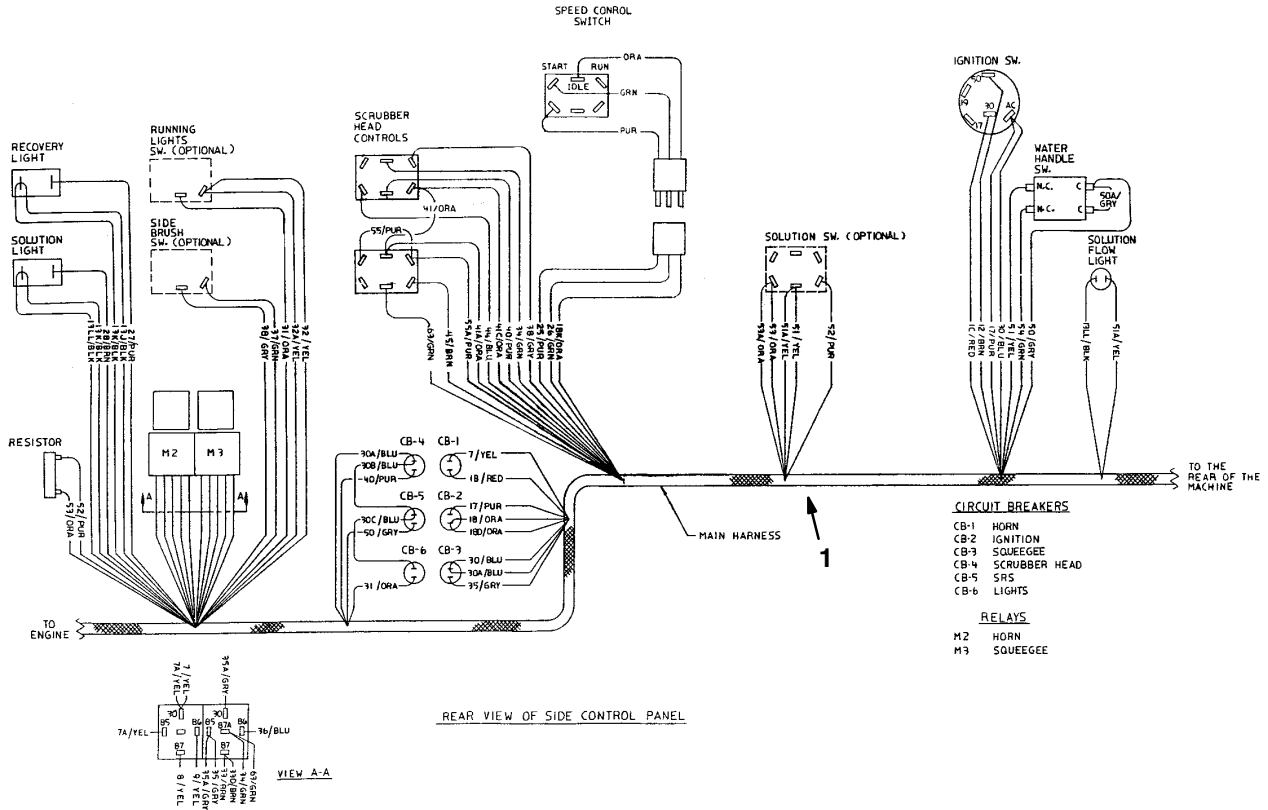
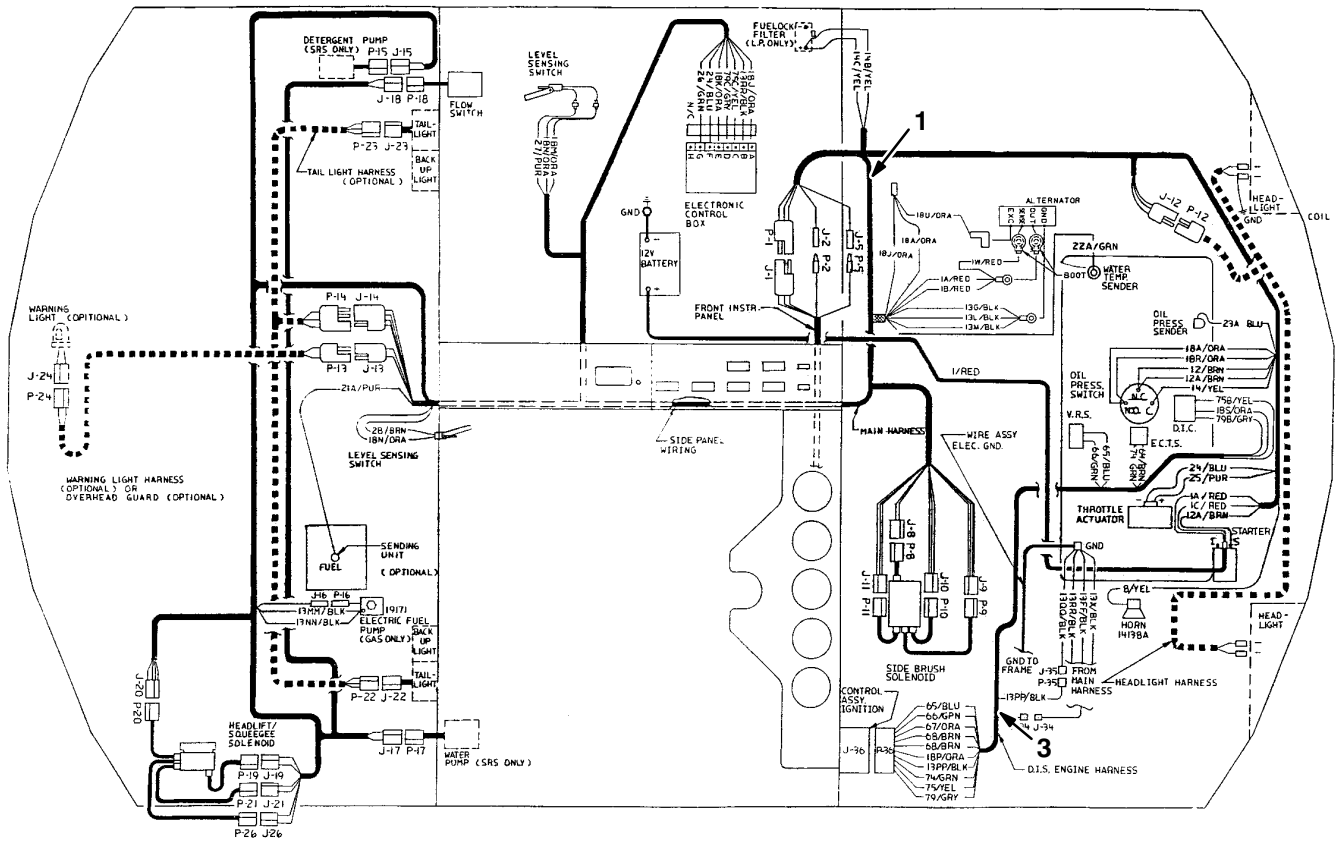


Fig. 32 – Wire Harness Group, Distributorless (DIS)

REAR VIEW OF FRONT INSTRUMENT PANEL

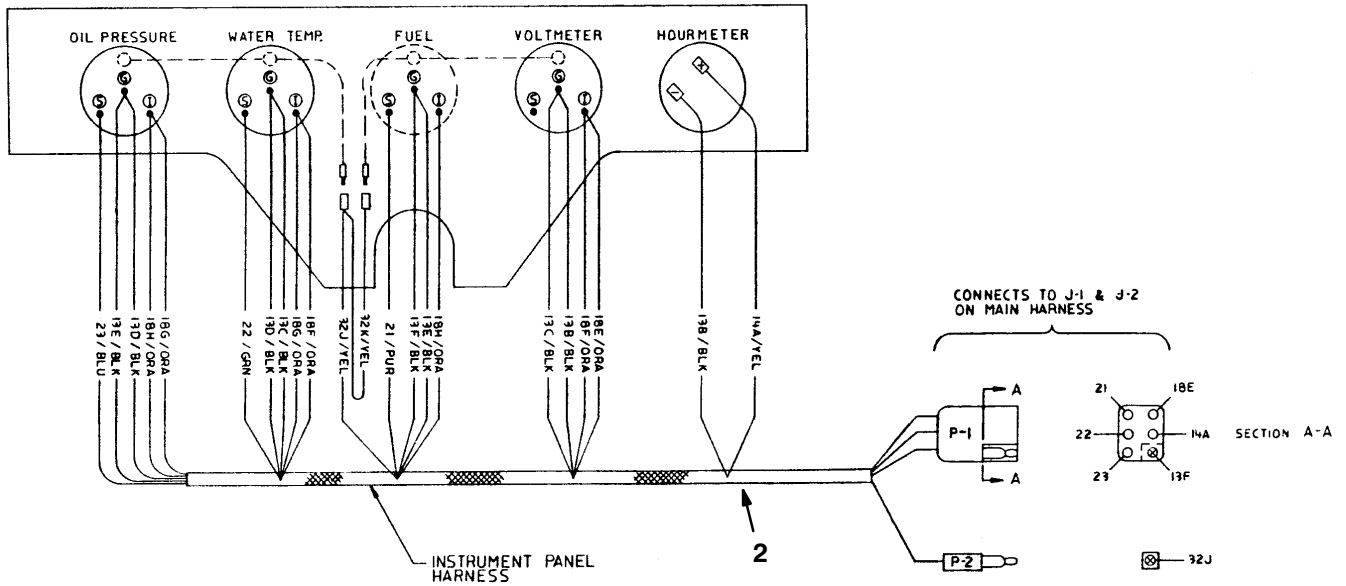


Fig. 32 – Wire Harness Group, Distributorless (DIS)

05359

Key	TENNANT Part No.	Machine Serial Number	Description	Qty.
1	65401	(031000–032184)	Wire Harness Replacement Kit, Main	1
1	65394	(032185–)	Wire Harness, Main	1
2	19464	(031000–)	Wire Harness, Instrument Panel	1
3	31528	(031000–)	Wire Harness, Engine, Distributorless (DIS)	1

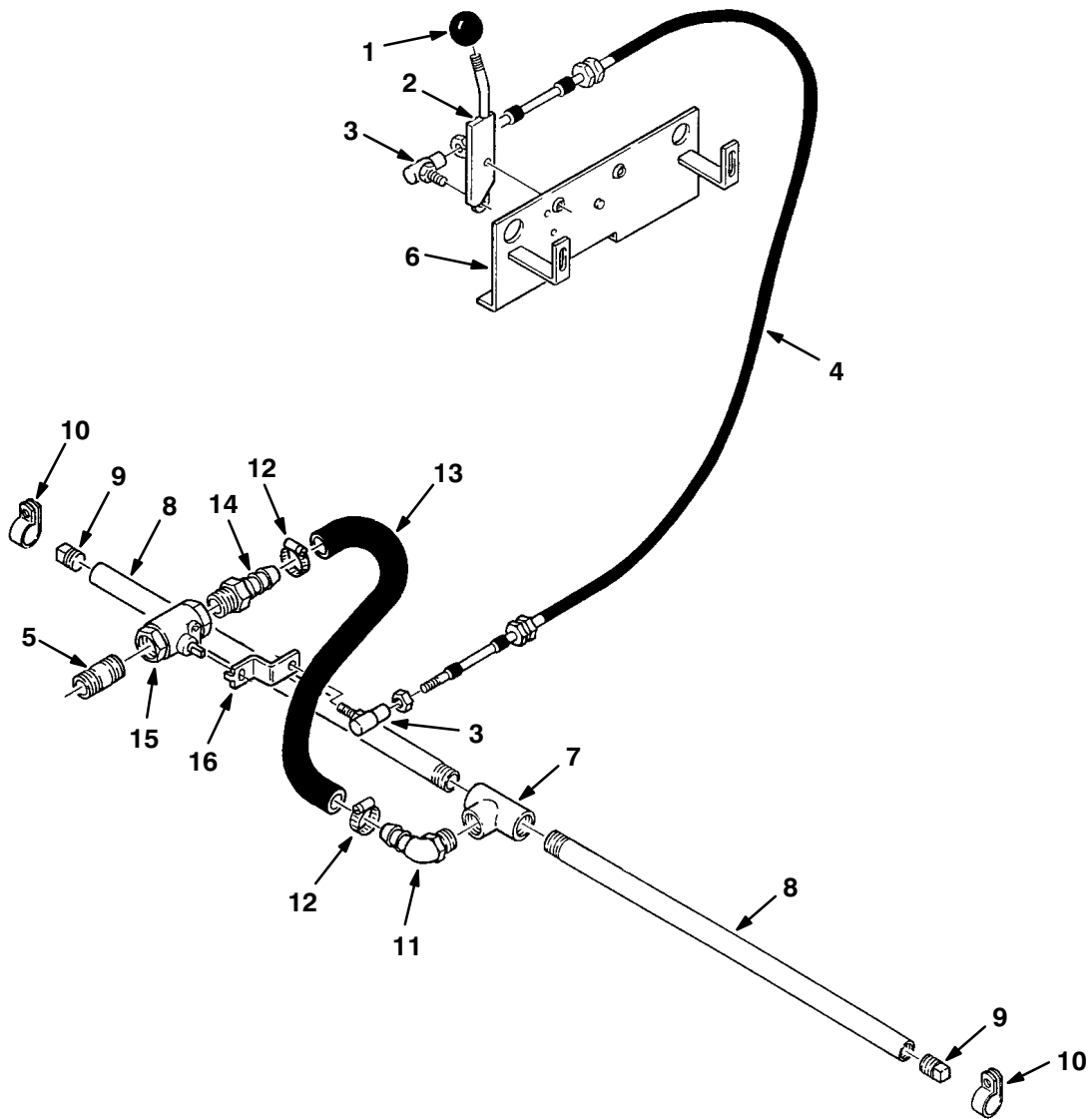


Fig. 33 – Solution Supply Group

04917

Key	TENNANT Part No.	Machine Serial Number	Description	Qty.
1	26565	(030000–)	Knob	1
2	25587	(030000–)	Handle	1
3	14601	(030000–)	Ball Joint	2
4	50097	(030000–)	Cable Assembly	1
5	07483	(030000–)	Fitting, Nipple	1
6	19166	(030000–)	Bracket, Control	1
7	03829	(030000–)	Tee	1
8	64747	(030000–)	Tube, Spreader	2
9	56119	(030000–)	Fitting, Plug	2
10	56094	(030000–)	Clamp, Cable	2
11	40145	(030000–)	Fitting, Barbed Elbow	1
12	63810	(030000–)	Clamp, Worm Drive	2
13	03825	(030000–)	Hose, Rubber	1
14	79273–2	(030000–)	Fitting, Coupling, Barbed	1
15	12060	(030000–)	Valve, Water	1
16	50096	(030000–)	Arm, Water Valve	1

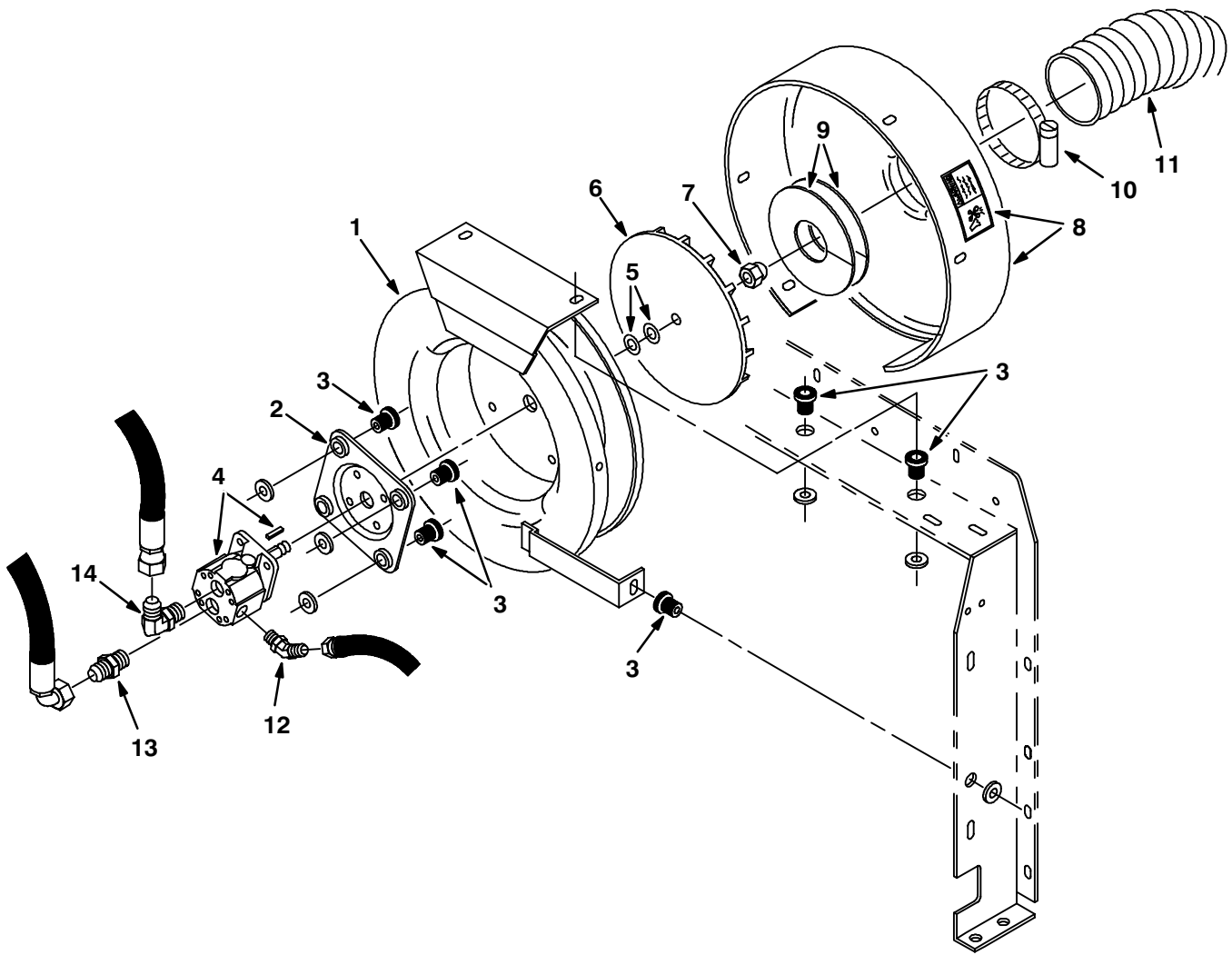


Fig. 34 – Vacuum Fan Assembly

04675

Key	TENNANT Part No.	Machine Serial Number	Description	Qty.
1	19152	(030000–)	Fan Assembly, Vacuum	1
2	19153	(030000–)	Housing Assembly, Vacuum Fan	1
3	54275A	(030000–)	Bracket, Motor Mounting	1
4	54274	(030000–)	Isolator, Vibration	7
5	19117	(030000–)	Motor, Hydraulic (See Hydraulic Components)	1
	75456	(030000–)	Shim, 0.003 in (0.08 mm)	1
	75456-1	(030000–)	Shim, 0.005 in (0.13 mm)	1
	75456-2	(030000–)	Shim, 0.010 in (0.25 mm)	1
	75456-3	(030000–)	Shim, 0.020 in (0.51 mm)	1
	75456-4	(030000–)	Shim, 0.060 in (1.52 mm)	2
6	03922	(030000–)	Impeller	1
7	41130	(030000–)	Nut, Low Crown	1
8	19461	(030000–)	Housing and Label Assembly, Vacuum Fan	1
9	58114	(030000–)	Reassembly Kit, Fan	1
10	23498	(030000–)	Clamp, Worm Drive	2
11	40870	(030000–)	Hose And Cuff Assembly	1
12	34359	(030000–)	Fitting, Elbow, 45°	1
13	56692	(030000–)	Fitting, Straight	1
14	56821	(030000–)	Fitting, Elbow	1

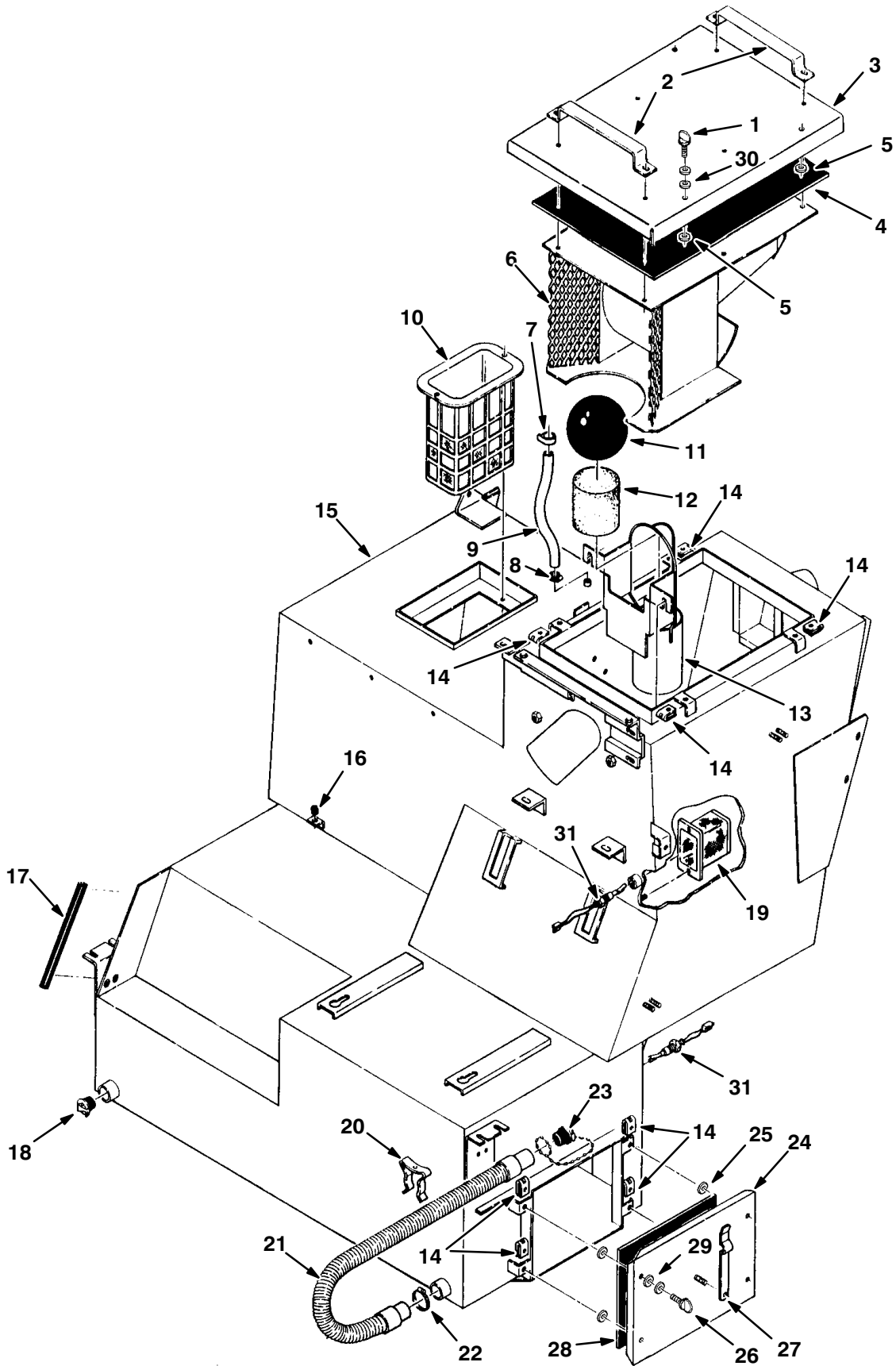


Fig. 35 – Solution and Recovery Tank Group

Fig. 35 – Solution and Recovery Tank Group

Key	TENNANT Part No.	Machine Serial Number	Description	Qty.
1	25665	(030000–031392)	Screw Kit, Thumb	4
1	25656	(031393–)	Screw, Thumb	4
2	64875	(030000–)	Handle	2
3	64526	(030000–)	Door, Recovery Tank	1
4	64529	(030000–)	Gasket	1
5	08156	(030000–)	Retainer, Screw	4
6	64523	(030000–)	Scroll	1
7	06777	(030000–)	Clamp, Cable	1
8	54333	(030000–)	Clamp, Worm Drive	1
9	45487–6	(030000–)	Hose, Vinyl	1
10	43516A	(030000–)	Basket, Soap	1
11	75106	(030000–)	Float, Ball	1
12	69444	(030000–)	Float	1
13	69538	(030000–)	Cage, Ball Float	1
14	28165	(030000–)	Fastener	8
15	19075	(030000–)	Tank, Solution and Recovery	1
16	51787	(030000–)	Bumper, Rubber	1
17	62170–3	(030000–)	Molding, Rigid	1
18	25460	(030000–)	Plug	1
19	03708	(030000–)	Filter	1
20	67004	(030000–)	Clip, Finger Grip	1
21	57482	(030000–)	Hose Assembly, Drain	1
22	11531	(030000–)	Clamp, Worm Drive	1
23	56505	(030000–)	Stopper Assembly	1
	64866	(030000–)	Cover Assembly, Tank	1
24	03600	(030000–)	Door	1
25	08156	(030000–)	Retainer, Screw	4
26	25665	(030000–031392)	Screw Kit, Thumb	4
26	25656	(031393–)	Screw, Thumb	4
27	69637	(030000–)	Spring, Drain Hose	1
28	03601	(030000–)	Gasket	1
29	25664	(031393–)	Washer, Nylon	4
30	25664	(031393–)	Washer, Nylon	4
31	25621	(030000–)	Switch Assembly, Level Sensing	2

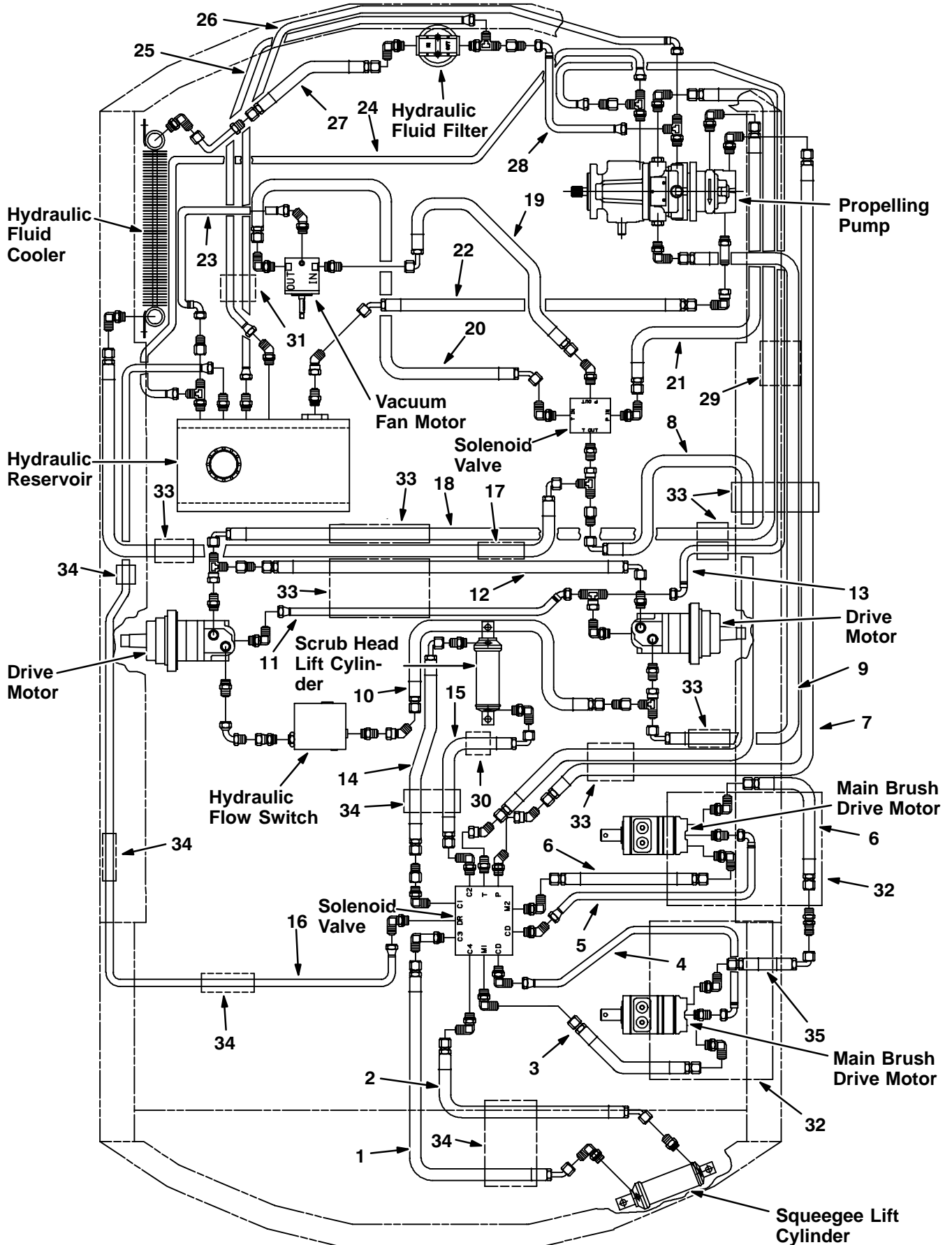
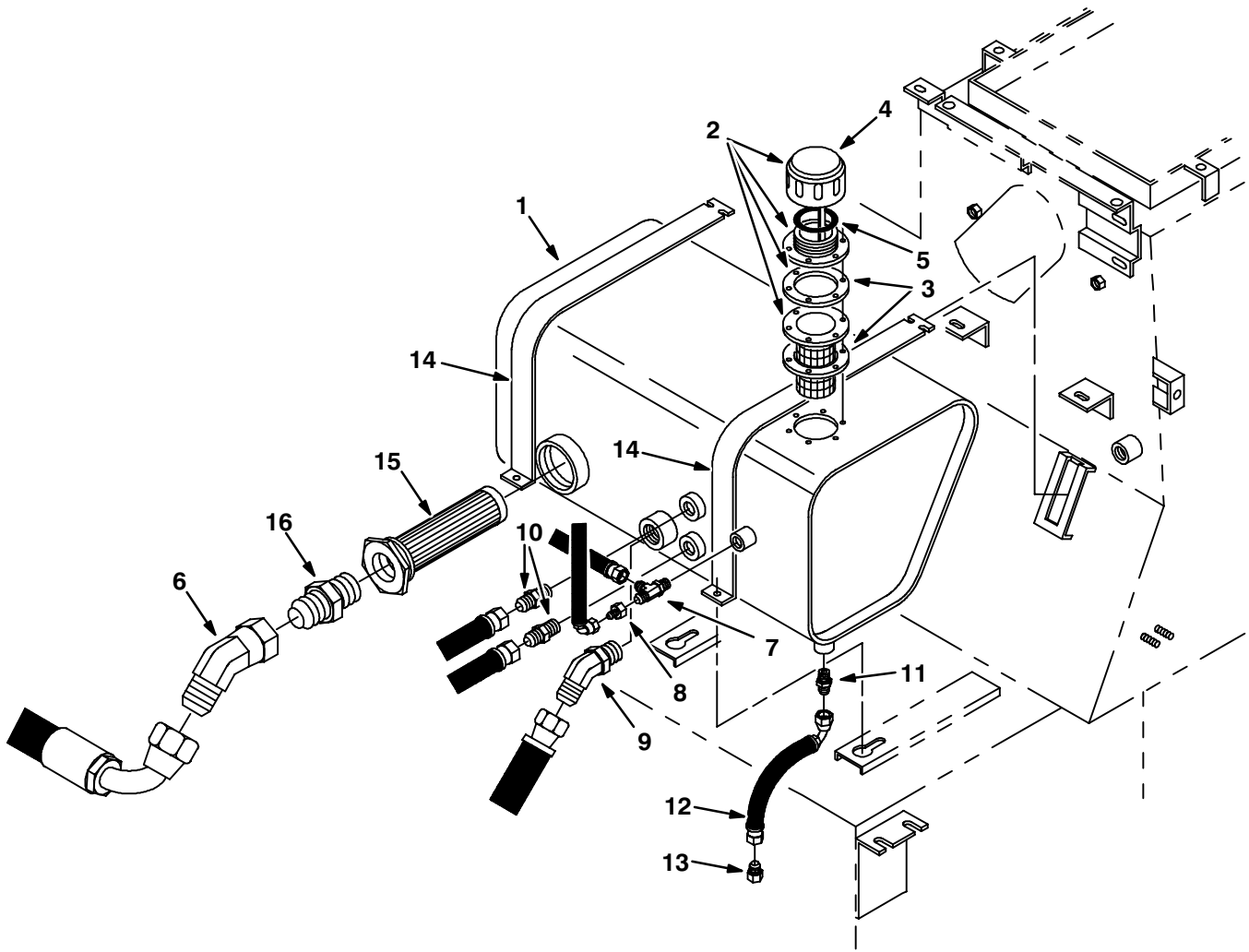


Fig. 36 – Hydraulic Hose Group

Fig. 36 – Hydraulic Hose Group

Key	TENNANT Part No.	Machine Serial Number	Description	Qty.
1	19644	(030000–)	Hose, Hydraulic	1
2	57173	(030000–)	Hose, Hydraulic	1
3	55696	(030000–)	Hose, Hydraulic	1
4	82805	(030000–)	Hose, Hydraulic	1
5	57191	(030000–)	Hose, Hydraulic	1
6	55668	(030000–)	Hose, Hydraulic	2
7	56706	(030000–)	Hose, Hydraulic	1
8	19637	(030000–)	Hose, Hydraulic	1
9	57193	(030000–)	Hose, Hydraulic	1
10	57195	(030000–)	Hose, Hydraulic	1
11	57199	(030000–)	Hose, Hydraulic	1
12	57196	(030000–)	Hose, Hydraulic	1
13	31569	(030000–)	Hose, Hydraulic	1
14	57947	(030000–)	Hose, Hydraulic	1
15	87681	(030000–)	Hose, Hydraulic	1
16	19649	(030000–)	Hose, Hydraulic	1
17	13110	(030000–)	Hose, Hydraulic	1
18	57194	(030000–)	Hose, Hydraulic	1
19	19636	(030000–)	Hose, Hydraulic (Gasoline and LPG)	1
19	02675	(030000–)	Hose, Hydraulic (Diesel)	1
20	34422	(030000–)	Hose, Hydraulic	1
21	64772	(030000–)	Hose, Hydraulic	1
22	19618	(030000–)	Hose, Hydraulic	1
23	19651	(030000–)	Hose, Hydraulic	1
24	31603	(030000–)	Hose, Hydraulic	1
25	31611	(030000–)	Hose, Hydraulic	1
26	87680	(030000–)	Hose, Hydraulic	1
27	82812	(030000–030999)	Hose, Hydraulic	1
27	82835	(031000–)	Hose, Hydraulic	1
28	19630	(030000–)	Hose, Hydraulic	1
29	19659	(030000–)	Sleeve, Nylon	1
30	31647	(030000–)	Sleeve, Nylon	2
31	34330	(030000–)	Sleeve, Nylon	1
32	57315	(030000–)	Sleeve, Nylon	2
33	82830	(030000–)	Sleeve, Nylon	11
34	87677	(030000–)	Sleeve, Nylon	5
	44961	(030000–)	Tie, Cable, 14.5 in (370 mm)	12
	49263	(030000–)	Tie, Cable, 11 in (280 mm)	5
	49266	(030000–)	Tie, Cable, 6.75 in (170 mm)	6
35	19639	(030000–)	Hose, Hydraulic	1



04673

Fig. 37 – Hydraulic Reservoir Group

Key	TENNANT Part No.	Machine Serial Number	Description	Qty.
1	19084	(030000–)	Reservoir, Hydraulic	1
2	61409	(030000–)	Breather, Hydraulic Filler	1
3	61288	(030000–)	Gasket	2
4	25119	(030000–)	Breather	1
5	70006	(030000–)	Gasket, Cap	1
6	19544	(030000–)	Fitting, Elbow, 45°	1
7	76316	(030000–)	Fitting, Tee	1
8	47752	(030000–)	Fitting, Straight	1
9	16081	(030000–)	Fitting, Elbow, 45°	1
10	44869	(030000–)	Fitting, Straight	2
11	56690	(030000–)	Fitting, Straight	1
12	55777	(030000–)	Hose, Hydraulic	1
13	19747	(030000–)	Fitting, Plug	1
14	19558	(030000–)	Strip, Reservoir Retaining	2
15	31613	(030000–)	Strainer, Hydraulic Suction	1
16	58858	(030000–)	Fitting, Straight	1

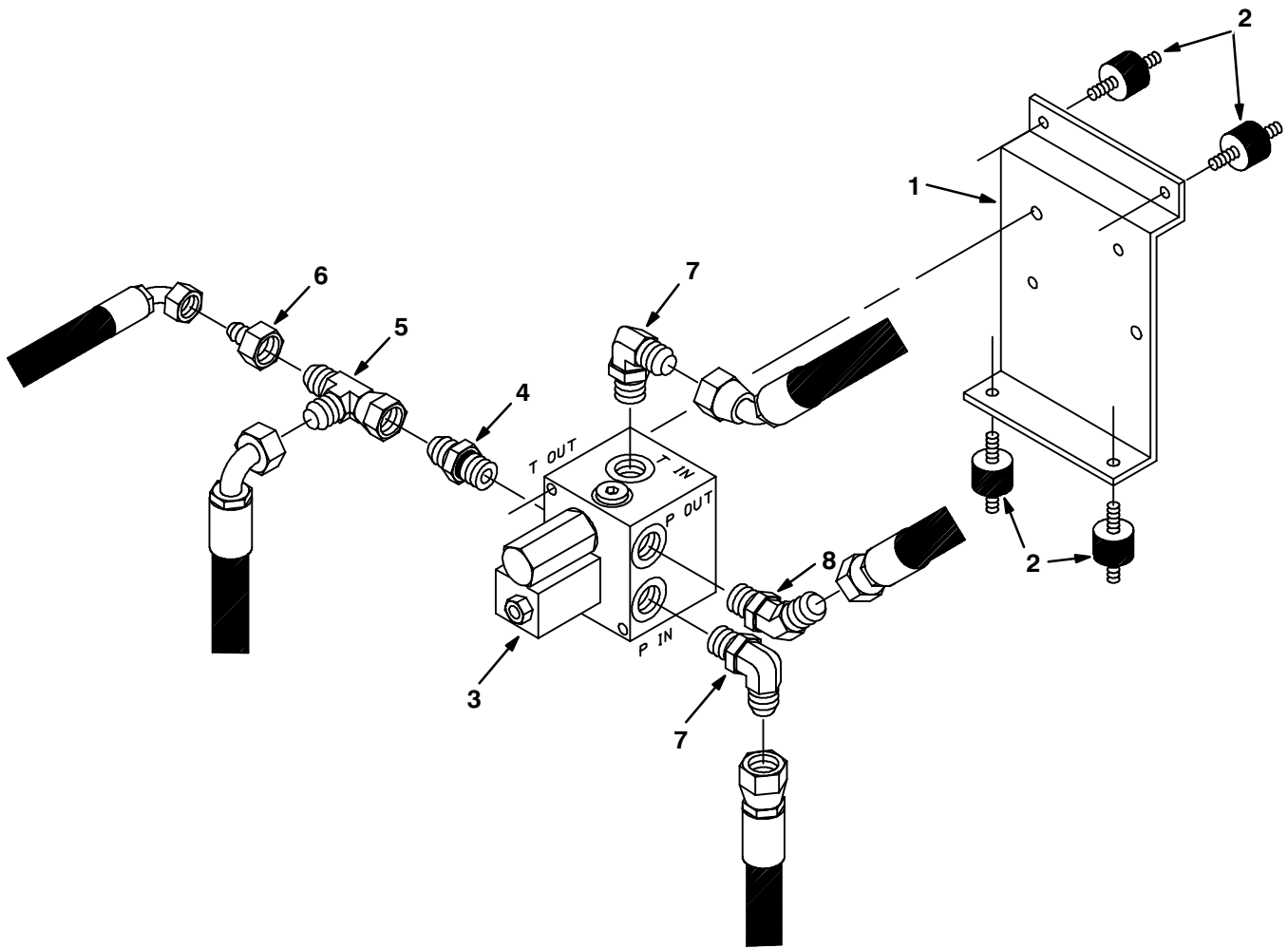
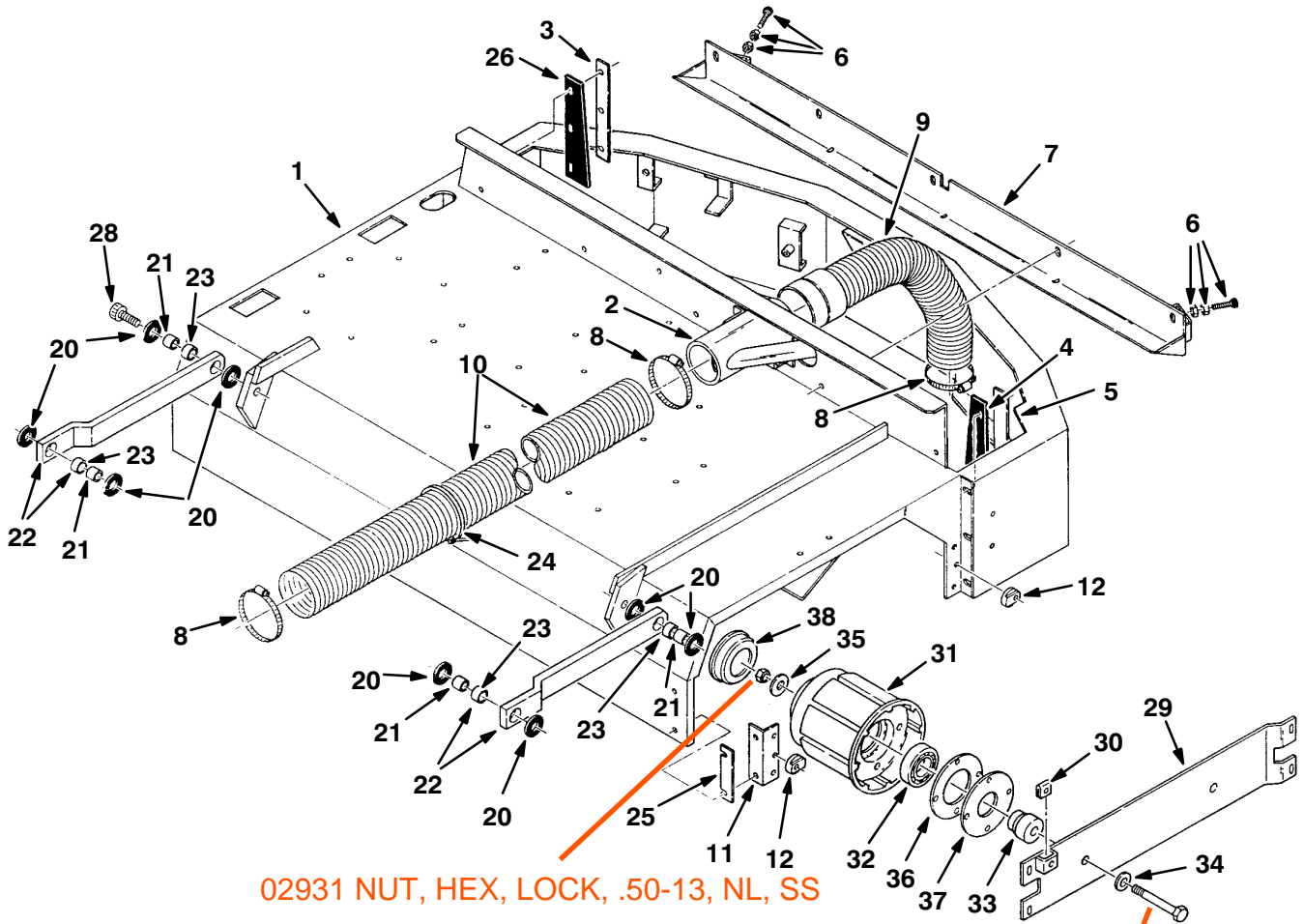
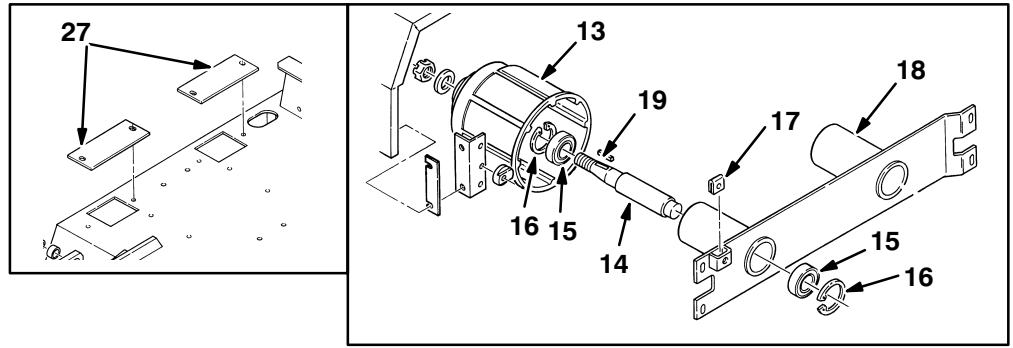


Fig. 38 – Front Solenoid Valve Group

04686

Key	TENNANT Part No.	Machine Serial Number	Description	Qty.
1	19535	(030000–)	Bracket, Valve Mounting	1
2	82661	(030000–)	Isolator, Vibration	4
3	82754	(030000–032596)	Valve, Hydraulic Solenoid (Replaced By 65389 (See Hydraulic Components))	1
3	65389	(032597–)	Valve, Hydraulic Solenoid (See Hydraulic Components)	1
4	62390	(030000–)	Fitting, Straight	1
5	40514	(030000–)	Fitting, Tee	1
6	78143	(030000–)	Fitting, Straight	1
7	44868	(030000–)	Fitting, Elbow	2
8	42226	(030000–)	Fitting, Elbow, 45°	1



02931 NUT, HEX, LOCK, .50-13, NL, SS

Fig. 39 – Scrub Head Frame Group

32895 SCREW, HEX, .50-13 X 3.50, G5

Fig. 39 – Scrub Head Frame Group

Key	TENNANT Part No.	Machine Serial Number	Description	Qty.
1	19537	(030000–)	Frame, Scrub Head	1
2	03602	(030000–)	Tube	1
3	56232	(030000–)	Strip	1
4	56395	(030000–)	Skirt	1
5	56861	(030000–)	Strip	1
6	75128	(030000–)	Spindle, Adjustment	2
7	64868	(030000–)	Deflector, Water	1
8	43555	(030000–)	Clamp, Worm Drive	3
9	64320	(030000–)	Hose and Cuff Assembly	1
10	64317	(030000–)	Hose, Vinyl	1
11	19086	(030000–)	Angle	1
12	64487	(030000–)	Cam, Brush Adjustment	2
	19083	(030000–031778)	Arm Assembly, Idler	1
13	87631	(030000–031778)	Plug, Brush Drive	2
14	13151	(030000–031778)	Shaft, Brush Idler	2
15	13534	(030000–031778)	Bearing, Ball	4
16	40727	(030000–031778)	Ring, Retaining	4
17	02485	(030000–031778)	Fastener	1
18	19454	(030000–031778)	Plate, Idler Support	1
19	00927	(030000–031778)	Key, Square	2
20	76979	(030000–)	Bearing, Thrust	8
21	57070	(030000–)	Sleeve, Trailing Arm	4
22	57178	(030000–)	Arm Assembly, Head Guide	2
23	64377	(030000–)	Bearing, Journal	2
24	44961	(030000–)	Tie, Cable	1
25	56245	(030000–)	Shim	2
26	56678	(030000–)	Skirt	1
27	19286	(030000–xxxxxx)	Plate, Cover (Replaced by None)	2
28	19583	(030000–)	Screw, Socket	2
	48782	(031779–)	Arm Assembly, Idler	1
29	48778	(031779–)	Plate, Idler Support	1
30	02485	(031779–)	Nut, Speed	1
31	30254	(031779–)	Plug, Idler	2
32	24899	(031779–)	Bearing, Ball	2
33	30251	(031779–)	Shaft, Idler	2
34	36328	(031779–)	Washer, Belleville	2
35	51564	(031779–)	Washer	2
36	30252	(031779–)	Strip, Retainer	2
37	30253	(031779–)	Plate, Seal	2
38	30255	(031779–)	Plug, Tube	2

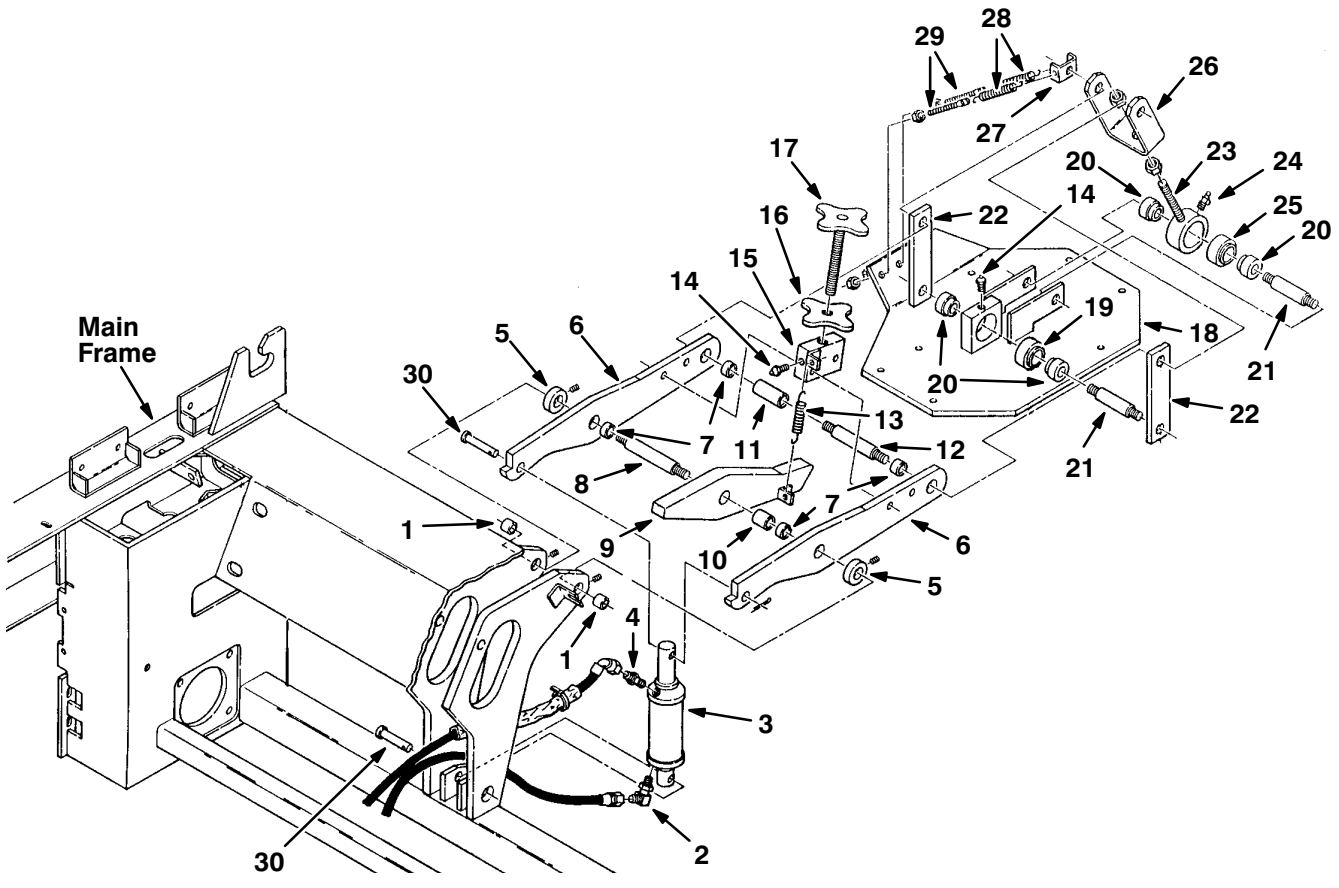


Fig. 40 – Scrub Head Lift Group

Fig. 40 – Scrub Head Lift Group

Key	TENNANT Part No.	Machine Serial Number	Description	Qty.
1	19570	(030000–)	Bushing	2
2	82825	(030000–)	Fitting, Elbow	1
3	09624	(030000–)	Cylinder, Hydraulic	1
4	55586	(030000–)	Fitting, Straight	1
5	69228	(030000–)	Spacer, Head Pivot	2
6	64376–1	(030000–)	Arm Assembly, Head Lift	2
7	64377	(030000–)	Bearing, Journal	2
8	69227	(030000–)	Shaft, Head Pivot	1
9	64393–2	(030000–)	Stop Assembly, Head Down	1
10	64379	(030000–)	Bearing, Journal	1
11	64727	(030000–)	Sleeve, Head Linkage	1
12	69780	(030000–)	Shaft, Long	1
13	75575	(030000–)	Spring, Tension	1
14	06418	(030000–)	Fitting, Grease	2
15	64451–1	(030000–)	Block, Adjuster	1
16	64453–1	(030000–)	Knob	1
17	64454	(030000–)	Knob, Adjusting	1
18	64389–1	(030000–)	Bracket Assembly, Mounting Head	1
19	42120–4	(030000–)	Bearing, Self Align	1
20	64432	(030000–)	Sleeve, Spacer	4
21	69779	(030000–)	Shaft, Short	2
22	64428	(030000–)	Strip	2
23	64764	(030000–)	Rod End Assembly	1
24	07259	(030000–)	Fitting, Grease	1
25	42120–4	(030000–)	Bearing, Self Align	1
26	64760	(030000–)	Strap	1
27	64729	(030000–)	Bracket, Spring	1
28	11842	(030000–)	Spring, Tension	2
29	26367	(030000–)	Bolt, Eye	2
30	06279	(030000–)	Pin, Clevis	2

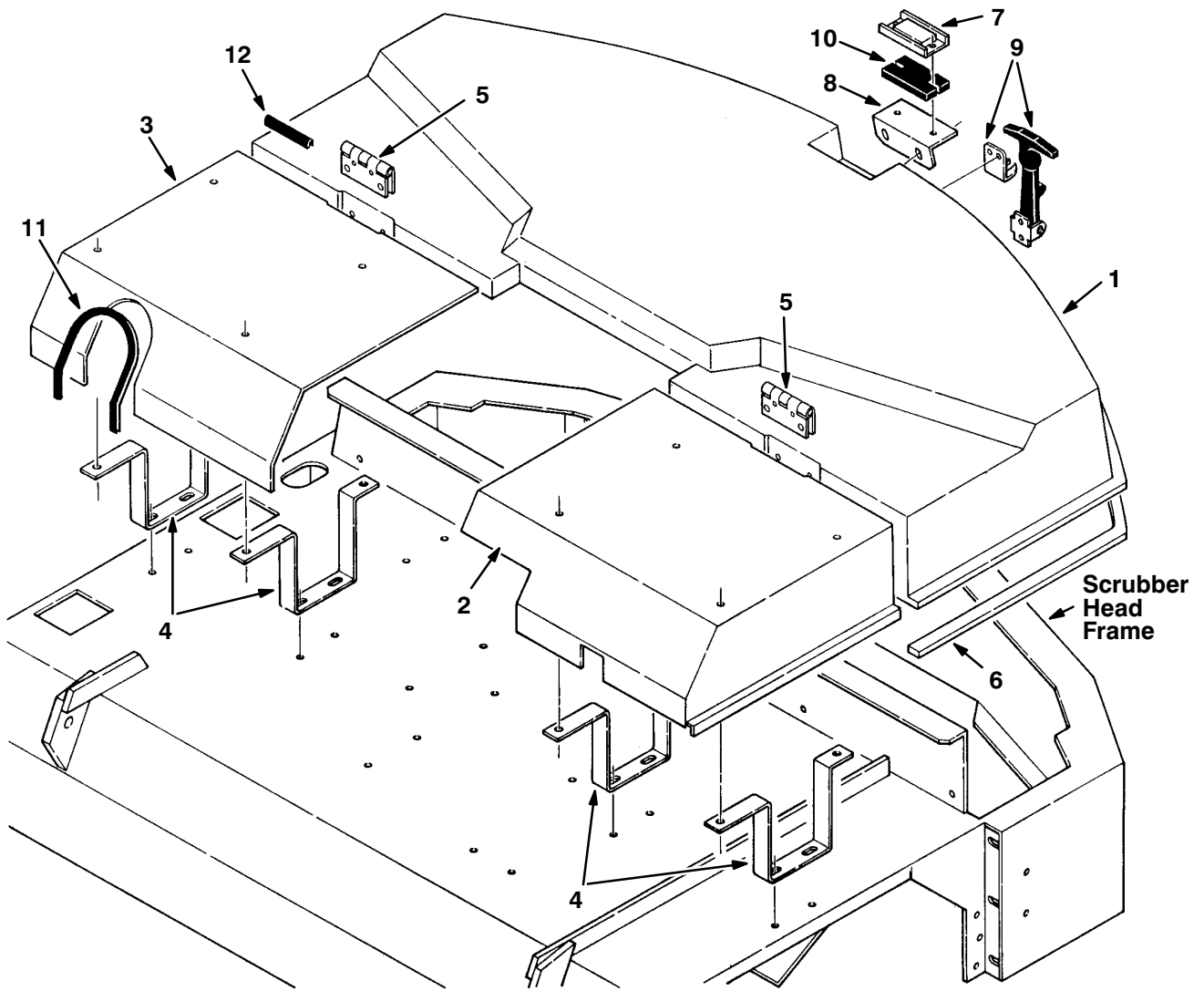
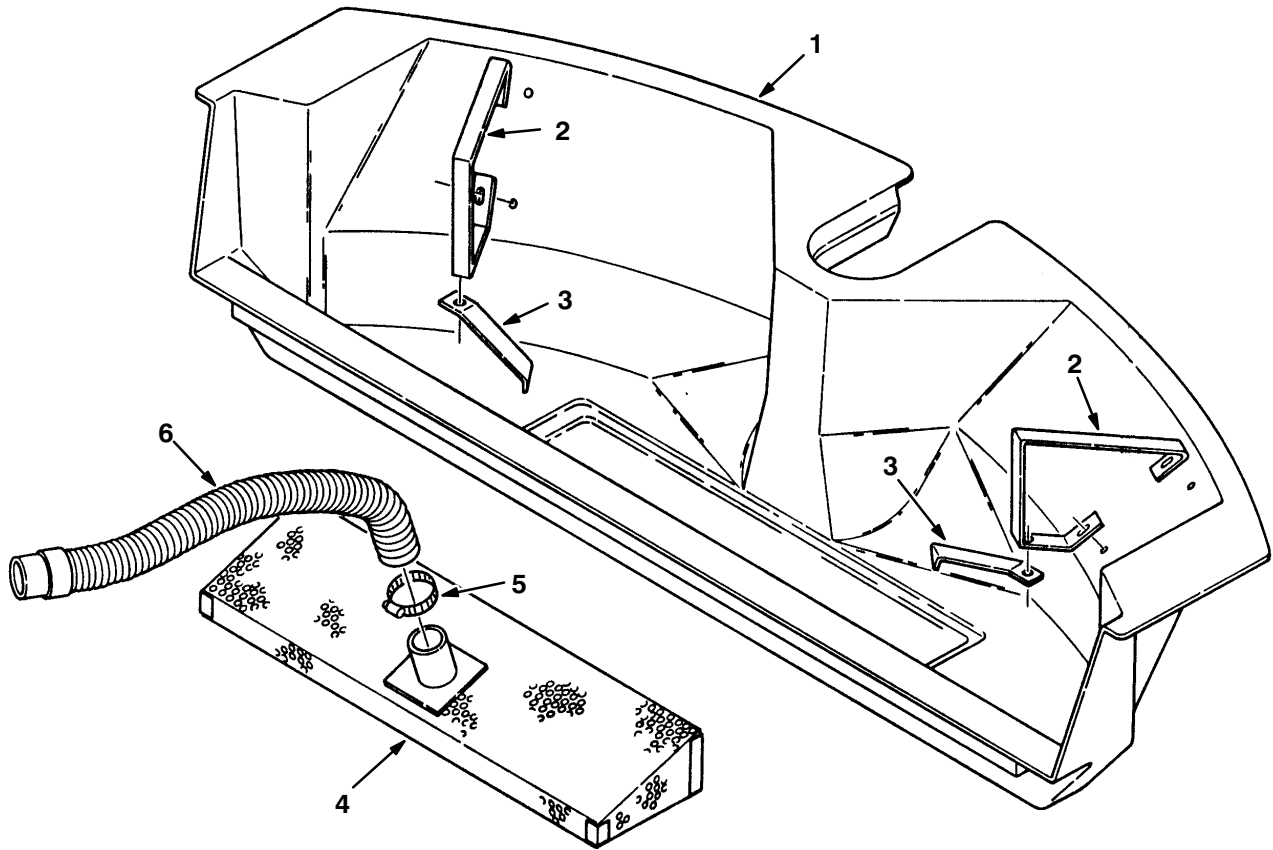


Fig. 41 – Scrub Head Cover Group

04916

Key	TENNANT Part No.	Machine Serial Number	Description	Qty.
1	31759	(030000–)	Cover, Scrub Head	1
2	66087	(030000–)	Cover, Front Scrub Head, L.H., W/Label	1
3	66085	(030000–)	Cover, Front Scrub Head, R.H., W/Label	1
4	19754	(030000–)	Bracket, Cover Mounting	4
5	56815	(030000–)	Hinge	2
6	69414	(030000–)	Seal, Foam Rubber	1
7	63378	(030000–)	Magnet, Drive Brush	1
8	57259	(030000–)	Handle, Rear Cover	1
9	57260	(030000–)	Handle Assembly, Rubber	1
10	57460	(030000–)	Pad	1
11	62595–5	(030000–)	Molding, Rigid	1
12	62595–18	(030000–)	Molding, Rigid	1



04925

Fig. 42 – Pick-Up Trough Assembly

Key	TENNANT Part No.	Machine Serial Number	Description	Qty.
	64610	(030000–)	Trough Assembly, Pick-Up	1
1	64793	(030000–)	Trough, Pick-Up	1
2	64073	(030000–)	Handle, Trough	2
3	59393	(030000–)	Spring, Trough Screen	2
4	59390	(030000–)	Screen, Trough	1
5	11399	(030000–)	Clamp, Worm Drive	1
6	64768	(030000–)	Hose and Cuff Assembly	1

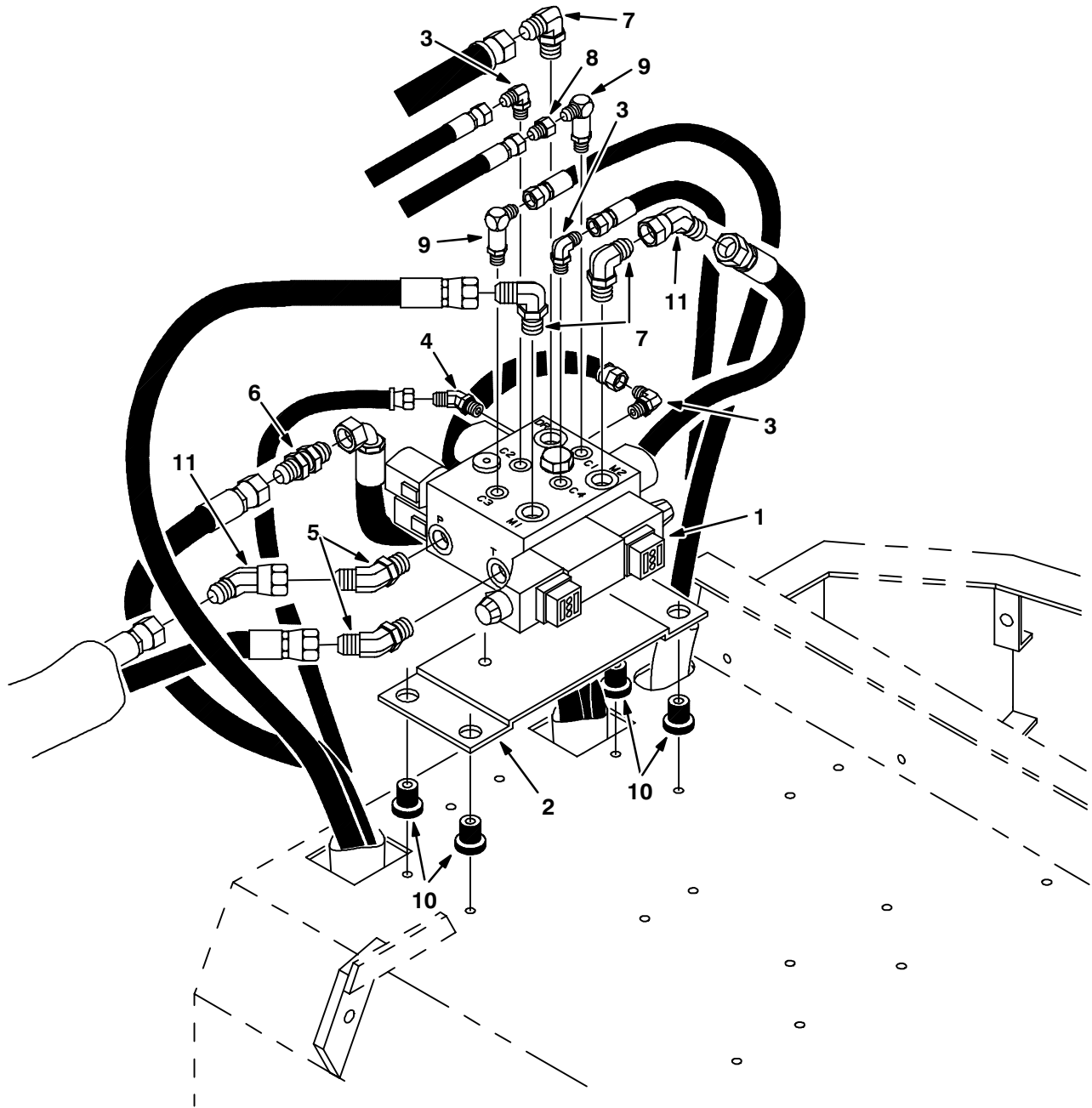


Fig. 43 – Rear Hydraulic Solenoid Valve Group

04676

Key	TENNANT Part No.	Machine Serial Number	Description	Qty.
1	19456	(030000–030365)	Valve, (See Hydraulic Components) (replaced by 31489)	1
2	19536	(030000–030365)	Bracket, Valve Mounting	1
3	77097	(030000–030365)	Fitting, Elbow	3
4	34359	(030000–030365)	Fitting, Elbow, 45°	1
5	42226	(030000–030365)	Fitting, Elbow, 45°	2
6	82918	(030000–030365)	Fitting, Straight	1
7	44868	(030000–030365)	Fitting, Elbow	3
8	16455	(030000–030365)	Fitting, Restrictor	1
9	82825	(030000–030365)	Fitting, Elbow	2
10	54274	(030000–030365)	Isolator, Vibration	4
11	07797	(030000–030365)	Fitting, Elbow, 45°	2

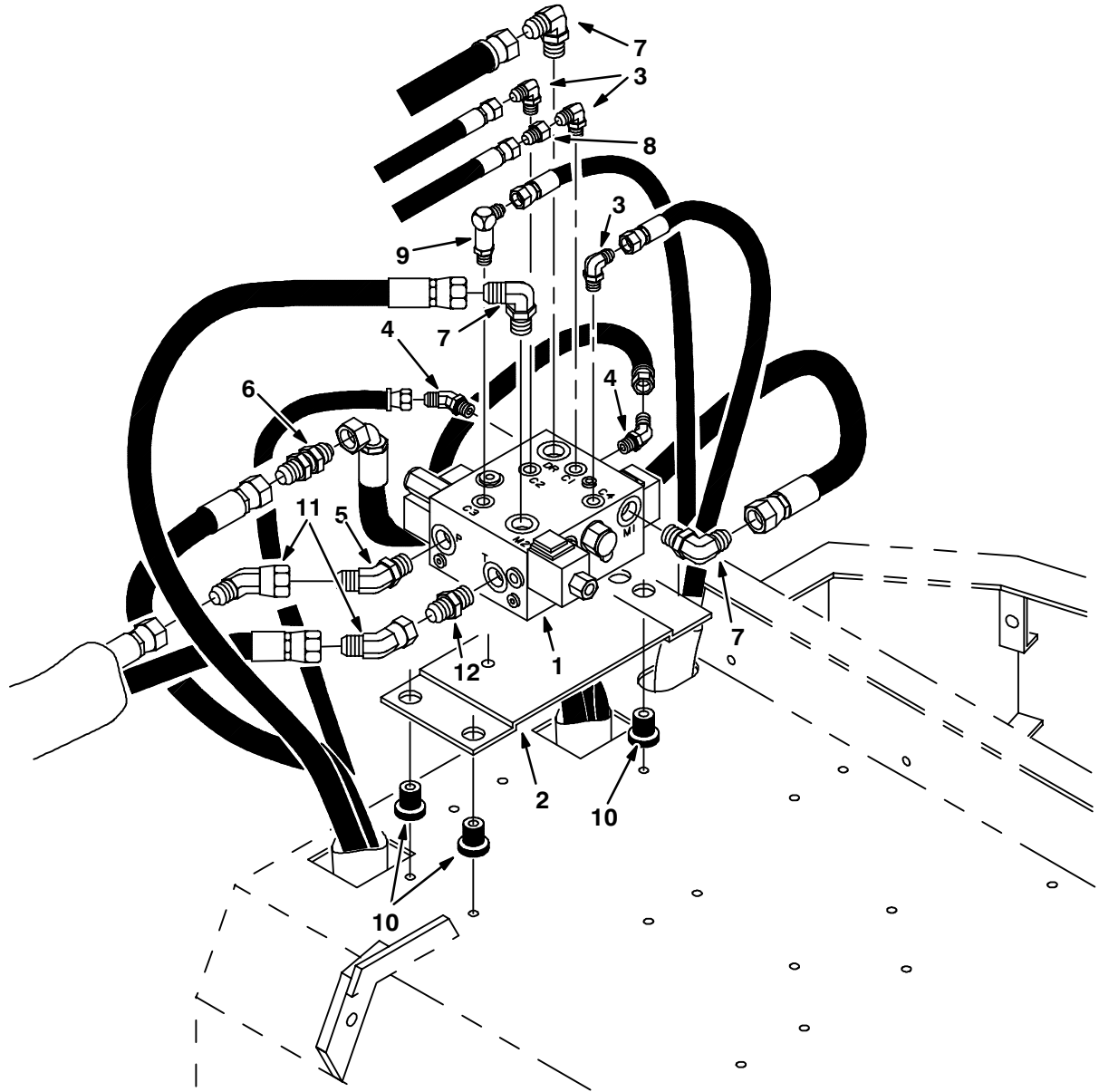


Fig. 44 – Rear Hydraulic Solenoid Valve Group

05353

Key	TENNANT Part No.	Machine Serial Number	Description	Qty.
1	19767	(030366-032042)	Valve, Solenoid (Replaced By 65376) (See Hydraulic Components)	1
1	65376	(032043-)	Valve, Solenoid (See Hydraulic Components)	1
2	19536	(030366-)	Bracket, Valve Mounting	1
3	77097	(030366-)	Fitting, Elbow	3
4	34359	(030366-)	Fitting, Elbow, 45°	2
5	42226	(030366-)	Fitting, Elbow, 45°	1
6	82918	(030366-)	Fitting, Straight	1
7	44868	(030366-)	Fitting, Elbow	3
8	16455	(030366-)	Fitting, Restrictor	1
9	82825	(030366-)	Fitting, Elbow	1
10	54274	(030366-)	Isolator, Vibration	3
11	07797	(030366-)	Fitting, Elbow, 45°	2
12	44869	(030366-)	Fitting, Straight	1

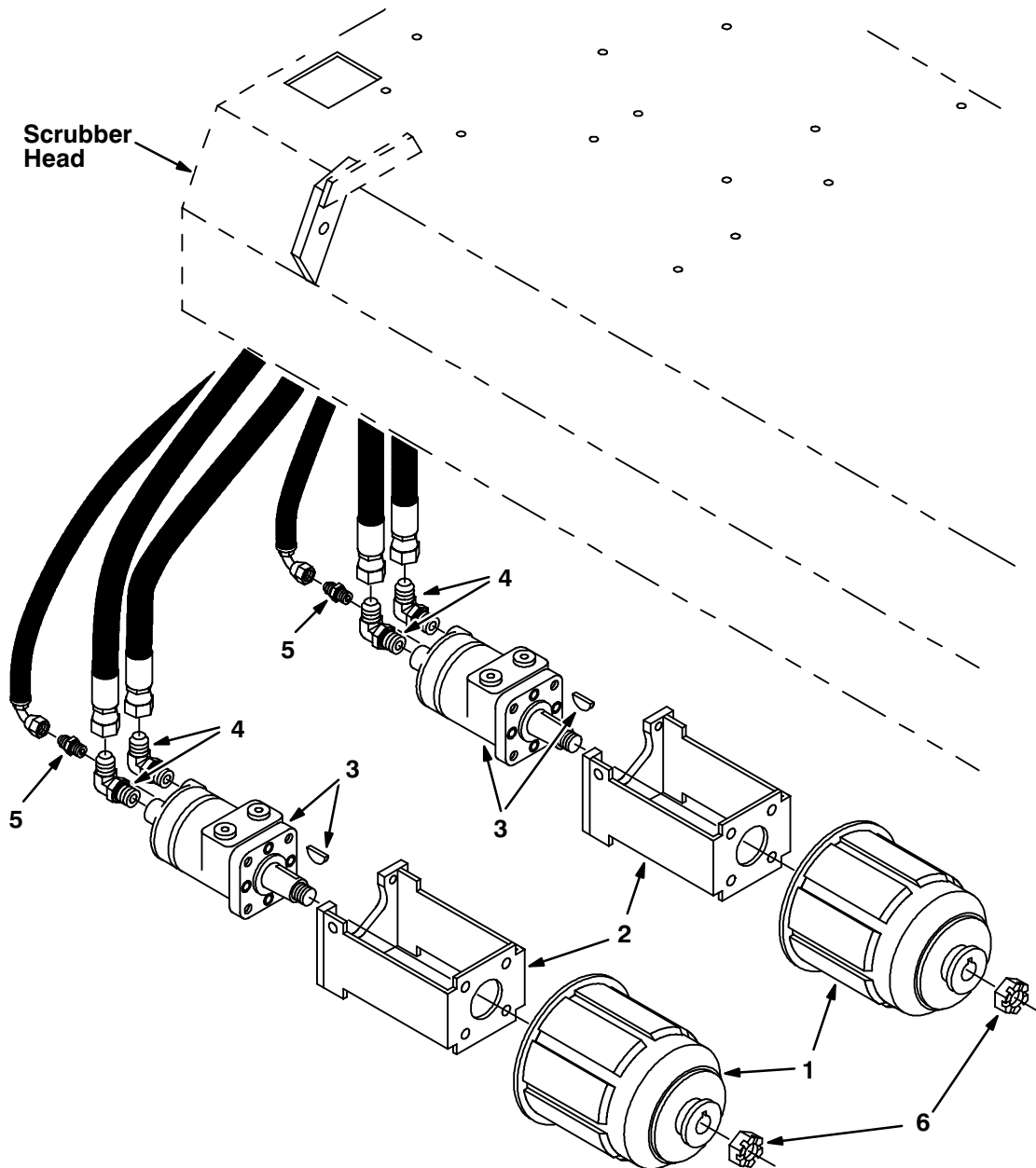


Fig. 45 – Brush Drive Motor Group

04678

Key	TENNANT Part No.	Machine Serial Number	Description	Qty.
1	87631	(030000–)	Plug, Brush Drive	2
2	19452	(030000–)	Plate, Motor Mounting	2
3	13106	(030000–030370)	Motor, Hydraulic (See Hydraulic Components) (Replaced By 27800)	2
3	27800	(030371–)	Motor, Hydraulic (See Hydraulic Components)	2
4	44868	(030000–)	Fitting, Elbow	4
5	55586	(030000–)	Fitting, Straight	2
6	12295	(030371–)	Nut, Slotted Hex	2

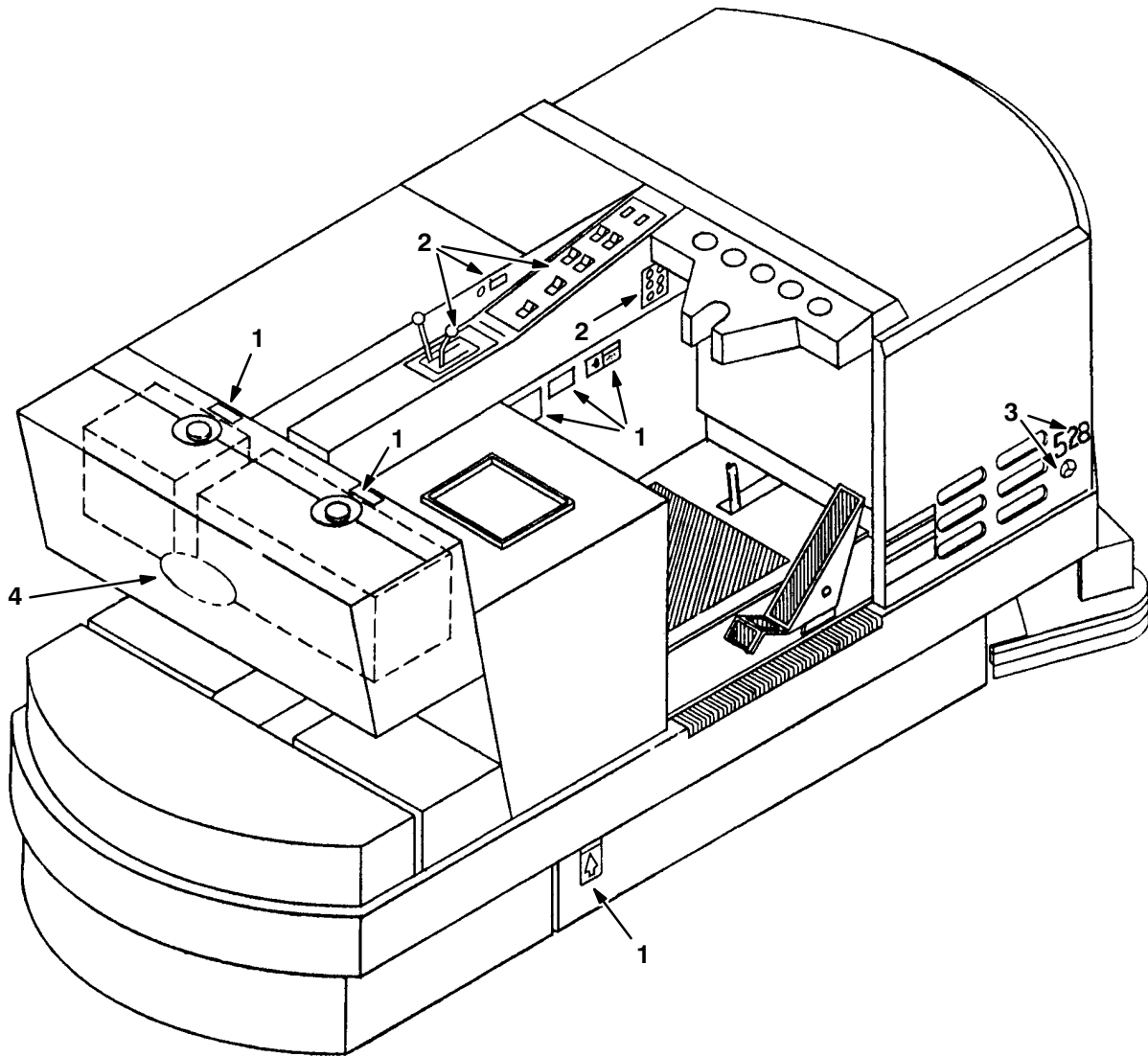
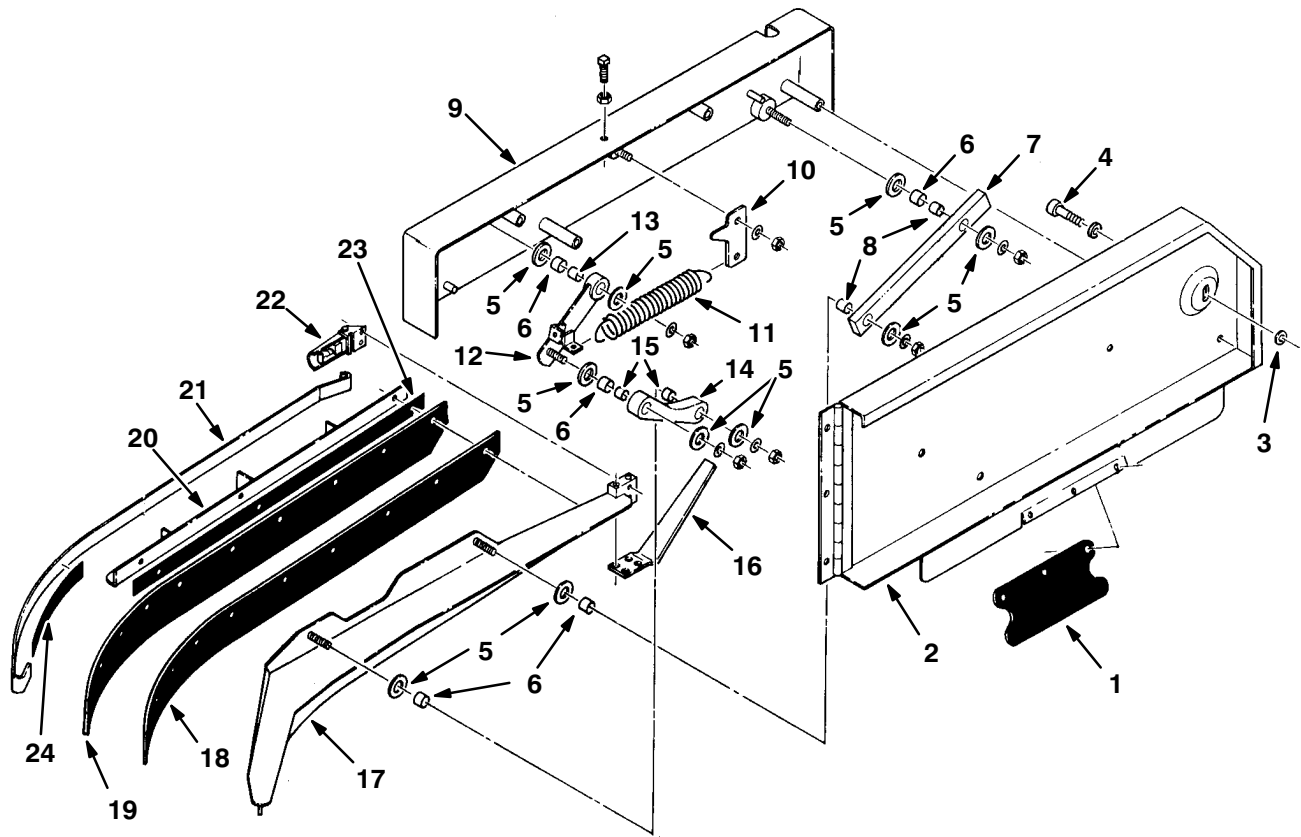


Fig. 46 – Label Group

04929

Key	TENNANT Part No.	Machine Serial Number	Description	Qty.
	31737	(030000–)	Label Kit, Complete	1
1	66086	(030000–)	Label Kit, Information and Hazard	1
2	19553	(030000–)	Label Kit, Operational	1
3	31735	(030000–)	Label Kit, Numeral	1
4	09806	(030000–)	Label, TENNANT Logo	2



04926

Fig. 47 – Left Side Squeegee Assembly

Key	TENNANT Part No.	Machine Serial Number	Description	Qty.
1	59617	(030000-)	Flap, Containment	1
2	64481	(030000-)	Door, Brush	1
3	03712	(030000-)	Retainer, Nylon	1
4	39297 59700	(030000-) (030000-)	Screw, Socket Squeegee and Guard Assembly, L.H.	1 1
5	59633	(030000-)	Bearing, Fiberglide Thrust	10
6	59632	(030000-)	Sleeve	5
7	59626-1	(030000-)	Link Assembly, Side Squeegee	1
8	59634	(030000-)	Bearing, Fiberglide	2
9	59624	(030000-)	Guard, Squeegee, L.H.	1
10	59650	(030000-)	Spring, Adjusting	1
11	52238	(030000-)	Spring, Tension	1
12	59673-1	(030000-)	Arm Assembly	1
13	59634	(030000-)	Bearing, Fiberglide	1
14	59630-1	(030000-)	Arm Assembly, Side Squeegee	1
15	59634	(030000-)	Bearing, Fiberglide	2
	59600	(030000-)	Squeegee Assembly, L.H.	1
16	59639A	(030000-)	Guide, Squeegee Tip	1
17	69724	(030000-)	Squeegee, Side, L.H.	1
18	59610A	(030000-)	Blade, Back-Up	1
19	60004	(030000-)	Blade, Squeegee	1
20	59612A	(030000-)	Bridge, L.H.	1
21	59663A	(030000-)	Band, Side Squeegee	1
22	87579	(030000-)	Latch, Tension	1
23	03494	(030000-)	Strip, Non-Slip	1
24	03495	(030000-)	Strip, Non-Slip	1

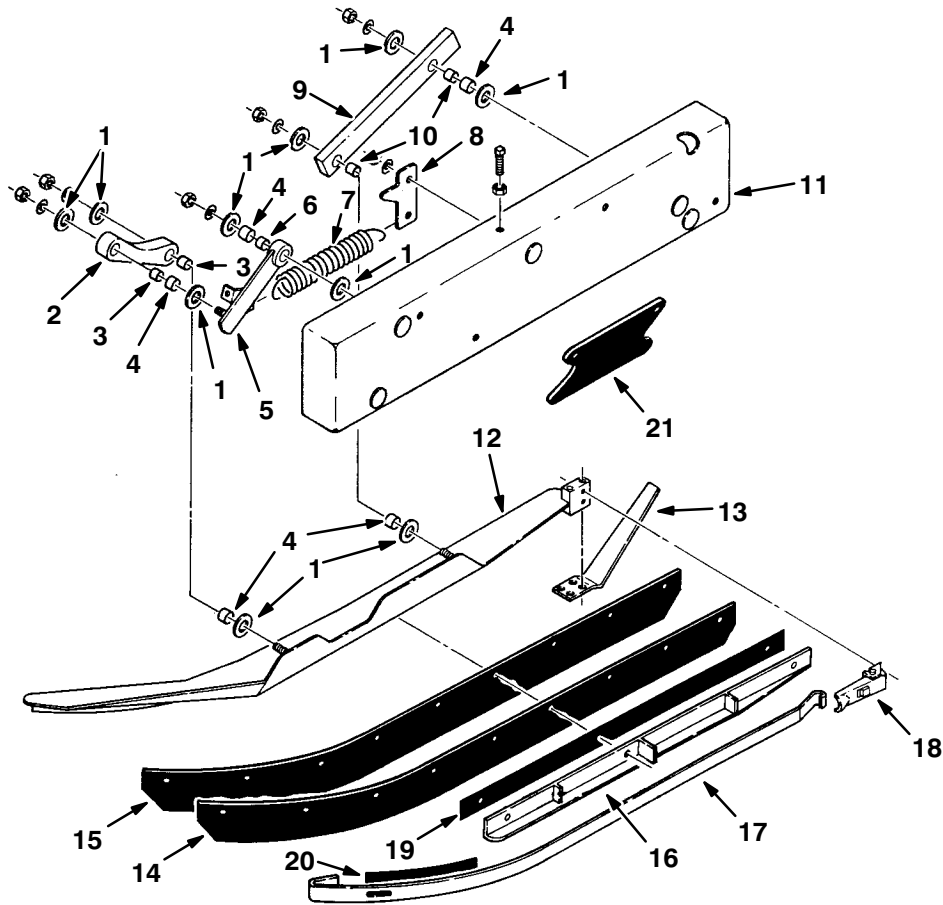


Fig. 48 – Right Side Squeegee Assembly

04927

Key	TENNANT Part No.	Machine Serial Number	Description	Qty.
1	59701	(030000-)	Squeegee and Guard Assembly, R.H.	1
	59633	(030000-)	Bearing, Fiberglide Thrust	10
2	59630-1	(030000-)	Arm Assembly, Side Squeegee	1
3	59634	(030000-)	Bearing, Fiberglide	2
4	59632	(030000-)	Sleeve	5
5	59673-1	(030000-)	Arm Assembly	1
6	59634	(030000-)	Bearing, Fiberglide	1
7	52238	(030000-)	Spring, Tension	1
8	59650	(030000-)	Spring, Adjusting	1
9	59626-1	(030000-)	Link Assembly, Side Squeegee	1
10	59634	(030000-)	Bearing, Fiberglide	2
11	59625	(030000-)	Guard, Squeegee, R.H.	1
	59601	(030000-)	Squeegee Assembly, R.H.	1
12	69725	(030000-)	Squeegee, Side, R.H.	1
13	59639A	(030000-)	Guide, Squeegee Tip	1
14	60004	(030000-)	Blade, Squeegee	1
15	59610A	(030000-)	Blade, Back-Up	1
16	59613A	(030000-)	Bridge, R.H.	1
17	59663A	(030000-)	Band, Side Squeegee	1
18	87579	(030000-)	Latch, Tension	1
19	03494	(030000-)	Strip, Non-Slip	1
20	03495	(030000-)	Strip, Non-Slip	1
21	59617	(030000-)	Flap, Containment	1

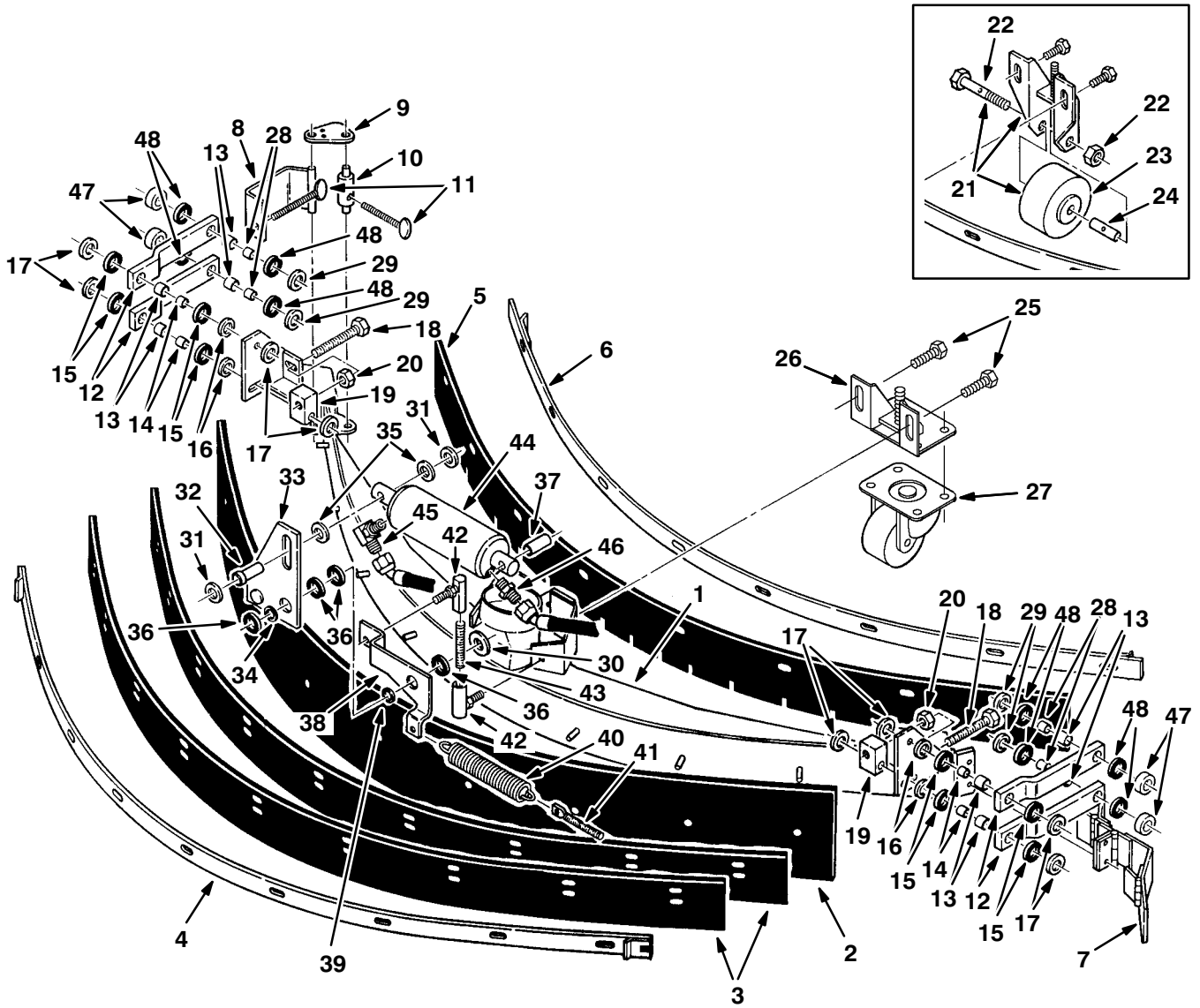


Fig. 49 – Rear Squeegee Assembly

Fig. 49 – Rear Squeegee Assembly

Key	TENNANT Part No.	Machine Serial Number	Description	Qty.
1	64348	(030000–)	Squeegee Assembly, Rear	1
2	64219	(030000–)	Squeegee, Rear	1
3	60006	(030000–)	Blade, Squeegee	1
4	59775	(030000–)	Strip, Rear Backup	2
5	59800	(030000–)	Band, Rear	1
6	60005	(030000–)	Blade, Squeegee	1
7	59826	(030000–)	Band, Front	1
8	64382	(030000–)	Clamp	1
9	76921	(030000–)	Adjustment, Rear Stop	1
10	69252	(030000–)	Plate, Pivot	1
11	76927	(030000–)	Pivot, Adjustment	1
12	39362	(030000–)	Screw, Thumb	2
13	64361–1	(030000–)	Arm Assembly	4
14	64173	(030000–)	Bearing	2
15	64192	(030000–)	Bearing, Sleeve	4
16	59633	(030000–)	Bearing, Fiberglide Thrust	8
17	69461	(030000–)	Washer	8
18	01686	(030000–)	Washer, Stainless Steel	8
19	45214	(030000–)	Screw, Hex, Full Thread	2
20	69459	(030000–)	Block, Pivot	2
21	01692	(030000–)	Nut, Hex, Stainless Steel	2
22	79064	(030000–033055)	Wheel And Bracket Assembly	1
23	76943	(030000–033055)	Stud, Wheel	1
24	10165	(030000–033055)	Wheel	1
25	75050	(030000–033055)	Bushing, Spanner	1
26	69225	(030000–)	Screw, Hex, Stainless Steel	2
27	65446	(033056–)	Bracket, Caster, Adjustable	1
28	65447	(033056–)	Caster, Swivel, 2.6 Wheel	1
29	64192	(030000–)	Bearing, Sleeve	4
30	01685	(030000–)	Washer, Stainless Steel	4
31	30013	(030000–)	Washer, Fender	1
32	64153	(030000–)	Washer	2
33	64152	(030000–)	Bushing, Flange	1
34	64123–2	(030000–)	Link Assembly	1
35	64424	(030000–)	Sleeve	1
36	64154	(030000–)	Washer	2
37	64425	(030000–)	Washer	4
38	64127	(030000–)	Sleeve	1
39	64422–1	(030000–)	Bracket Assembly, Squeegee Spring	1
40	64424	(030000–)	Sleeve	1
41	47745	(030000–)	Spring, Tension	1
42	26367	(030000–)	Bolt, Eye	1
43	50493	(030000–)	Ball Joint	2
44	64598	(030000–)	Stud	1
45	09624	(030000–)	Cylinder, Hydraulic	1
46	77097	(030000–)	Fitting, Elbow	1
47	55586	(030000–)	Fitting, Straight	1
48	69462	(030000–)	Sleeve	4
49	59633	(030000–)	Bearing, Fiberglide Thrust	8

SECTION 6**CONTENTS**

	Page
ORDERING REPAIR PARTS	6-3
Fig. 1 – Engine Group, LPG	6-4
Fig. 2 – Engine Group, Distributorless (DIS), LPG	6-6
Fig. 3 – Fuel Tank Group, LPG	6-8

NOTE: SECTION 6, LPG PARTS, lists repair parts unique to an LPG powered machine.

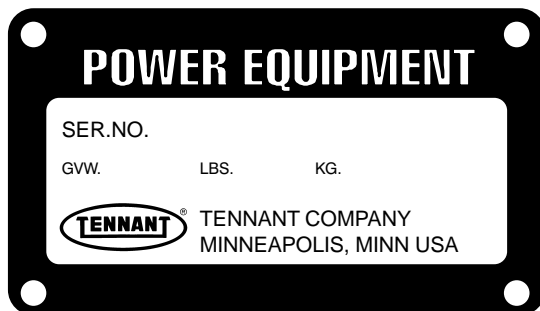
ORDERING REPAIR PARTS

The components used in this machine have been carefully selected for performance and safety. Use only Tennant Company specified or equivalent parts.

To receive prompt service in filling of your parts orders, please direct all orders for parts with Tennant Company part numbers to the Tennant Company, and all orders for parts with vendor part numbers to the local supplier of the respective vendor.

When ordering parts, please furnish all of the following information:

1. Machine model number - shown on the machine data plate.



2. Machine serial number - shown on the machine data plate.
3. Power source - gasoline, LPG, diesel, electric.
4. Company name.
5. Shipping address.
6. Billing address.
7. Name, first and last - of person ordering parts.
8. Telephone number.
9. Purchase order number.
10. Part number, description, and quantity - of each item on the order.
11. Customer ID Number.

Do not order parts by key number or the figure number of the illustrated parts. Indented items indicate parts of assemblies. Standard hardware is furnished only when part of a purchased assembly. Please get hardware from a local hardware supplier.

If the old part cannot be identified, send it to us with the quantity needed specified on the order.

Any claim for loss or damage to a shipment in transit should be filed promptly against the transportation company making the delivery. Shipments will be complete unless the packing list or order acknowledgement indicate items back ordered.

If parts received are suspected to be incorrect or defective, please write, wire, or phone the Tennant Company representative from whom you ordered the part. They will give authorization for return and/or handle replacement shipments when required.

SERIAL NUMBER INFORMATION EXPLANATION

Serial number listings are shown to indicate on which machines each part can be used. These listings are explained by the following examples:

(000000-) The part can be used on all machines.

(003342-) The part can be used on all machines beginning with the serial number listed.

(000000-004320) The part can be used on all machines up to and including serial number listed.

(004321-005678) The part can be used on all machines between and including the serial numbers listed.

Where xxxxxx's are listed in place of a serial number, it indicates a change was made but the exact serial number had not been established when the catalog went to press.

SI UNITS OF MEASURE (INTERNATIONAL SYSTEM)

Metric equivalents have been included, where applicable, throughout this parts catalog.

FASTENER STRENGTH IDENTIFICATION

Fasteners required to have high-strength qualities equivalent to SAE Grade 8 are identified throughout this catalog by the description GR 8. Unless identified by this description, all standard fasteners are SAE Grade 5.

(Specifications and design subject to change without notice.)

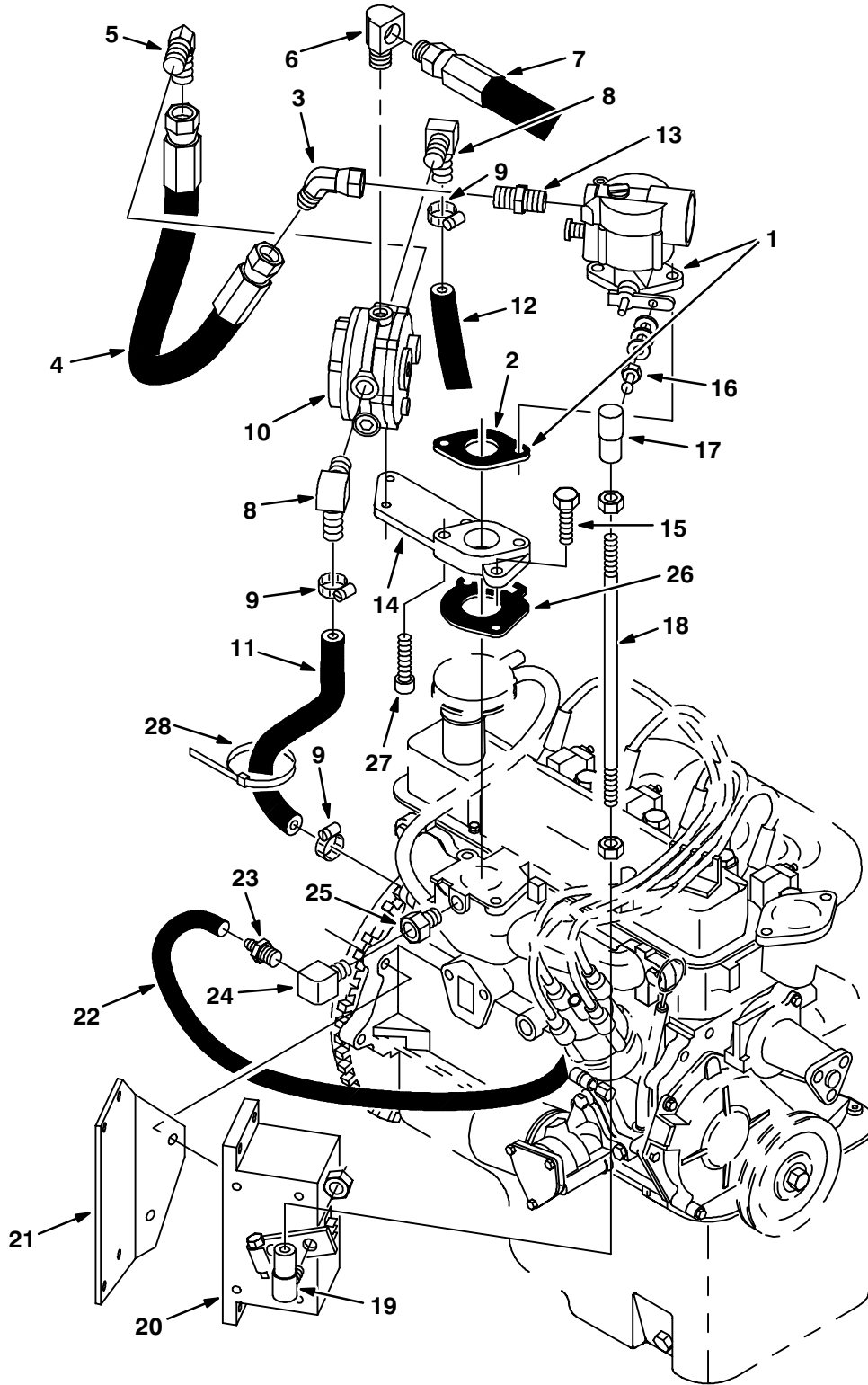


Fig. 1 – Engine Group, LPG

Fig. 1 – Engine Group, LPG

Key	TENNANT Part No.	Machine Serial Number	Description	Qty.
1	07104	(030000–030999)	Carburetor, LPG	1
	55975	(030000–030999)	Repair Kit, Carburetor	1
2	54912–8	(030000–030999)	Gasket, Carburetor	1
3	07797	(030000–030999)	Fitting, Elbow, 45°	1
4	19712	(030000–030999)	Hose, LPG	1
5	51869	(030000–030999)	Fitting, Elbow	1
6	11442–1	(030000–030999)	Fitting, Elbow	1
7	19760	(030000–030999)	Hose, LPG	1
8	51839	(030000–030999)	Fitting, Elbow	2
9	63810	(030000–030999)	Clamp, Worm Drive	3
10	54930	(030000–030999)	Vaporizer, LPG	1
	55998	(030000–030999)	Repair Kit, Vaporizer	1
11	07103	(030000–030999)	Hose, Heater	1
12	19752	(030000–030999)	Hose, Heater	1
13	05792	(030000–030999)	Fitting, Straight	1
14	19534	(030000–030999)	Plate, Carburetor Mounting	1
15	16931	(030000–030999)	Screw, Hex, M8	2
16	50332–2	(030000–030999)	Ball Joint, End	1
17	50332–1	(030000–030999)	Ball Joint	1
18	19202	(030000–030999)	Rod	1
19	14601	(030000–030999)	Ball Joint	1
20	07539	(030000–030999)	Actuator, Governor	1
21	19351	(030000–030999)	Plate, Actuator Mounting	1
22	19774	(030000–030999)	Hose, Vacuum	1
23	40607	(030000–030999)	Fitting, Straight	1
24	11984	(030000–030999)	Fitting, Elbow	1
25	17414	(030000–030999)	Fitting, Straight	1
26	07105	(030000–030999)	Gasket, Carburetor	1
27	39308	(030000–030999)	Screw, Socket, M8	2
28	49263	(030000–030999)	Tie, Cable	2

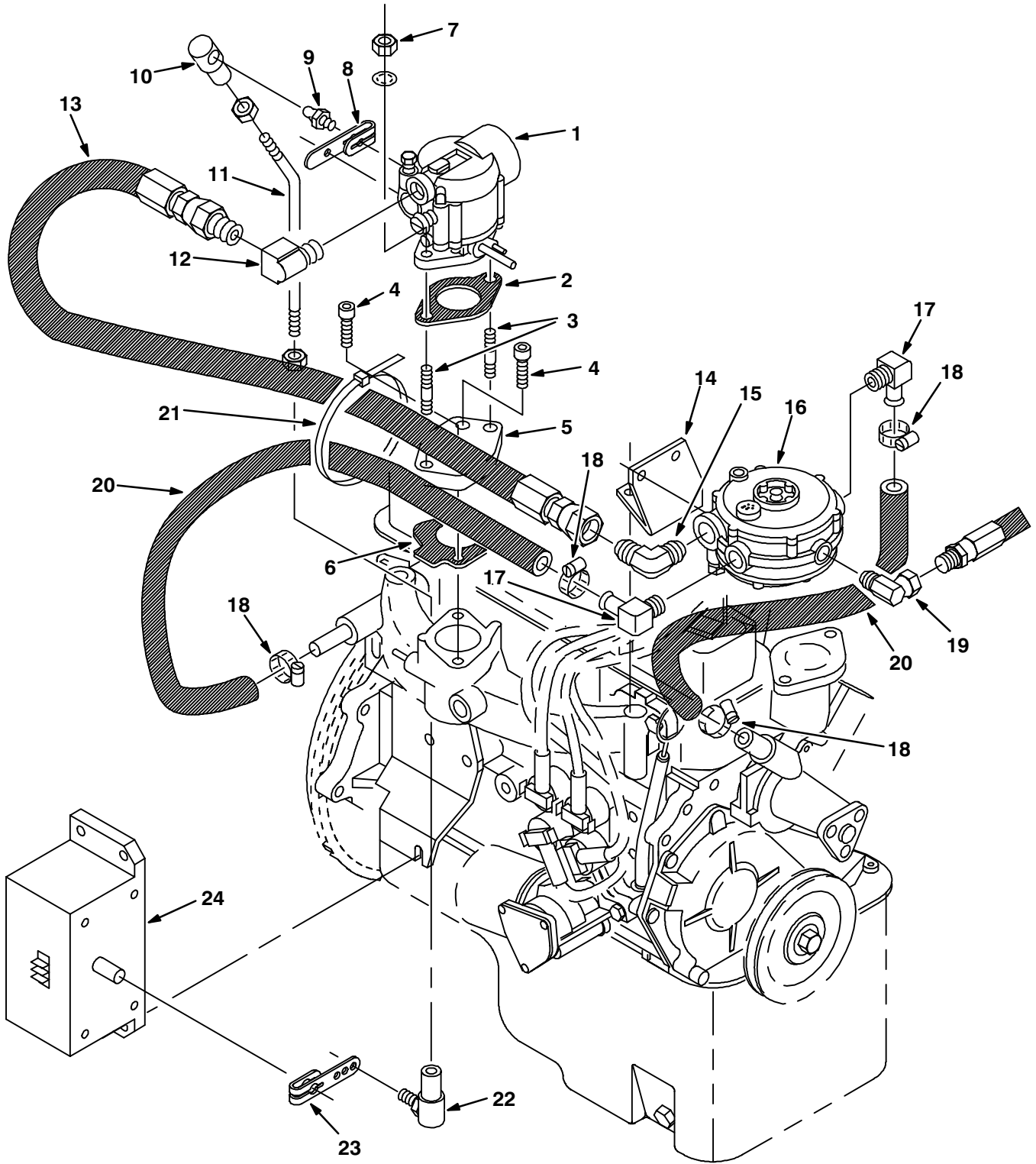


Fig. 2 – Engine Group, Distributorless (DIS), LPG

Fig. 2 – Engine Group, Distributorless (DIS), LPG

Key	TENNANT Part No.	Machine Serial Number	Description	Qty.
1	30322	(031000–)	Carburetor, LPG	1
	55975	(031000–)	Repair Kit, Carburetor	1
2	31542	(031000–)	Gasket, Carburetor	1
3	30324	(031000–)	Stud, M8	2
4	06532	(031000–)	Screw, Socket, M6	2
5	31728	(031000–)	Plate, Carburetor Mounting	1
6	30312	(031000–)	Gasket, Carburetor	1
7	39311	(031000–)	Nut, Hex, M8	2
8	30480	(031000–)	Lever, Carburetor	1
9	50332–2	(031000–)	Ball Joint, Stud	1
10	50332–1	(031000–)	Ball Joint	1
11	30320	(031000–)	Rod, Throttle Control	1
12	07602	(031000–)	Fitting, Elbow	1
13	07597	(031000–)	Hose, LPG	1
14	30326	(031000–)	Bracket, Vaporizer	1
15	07598	(031000–)	Fitting, Elbow	1
16	54930	(031000–)	Vaporizer, LPG	1
	55998	(031000–)	Repair Kit, Vaporizer	1
17	51839	(031000–)	Fitting, Elbow	2
18	63810	(031000–)	Clamp, Worm Drive	4
19	11442–1	(031000–)	Fitting, Elbow	1
20	31543	(031000–)	Hose, Heater (Cut in 2 pieces)	1
21	49263	(031000–)	Tie, Cable	2
22	14601	(031000–)	Ball Joint	1
23	30481	(031000–)	Lever, Governor	1
24	07539	(031000–)	Actuator, Governor	1

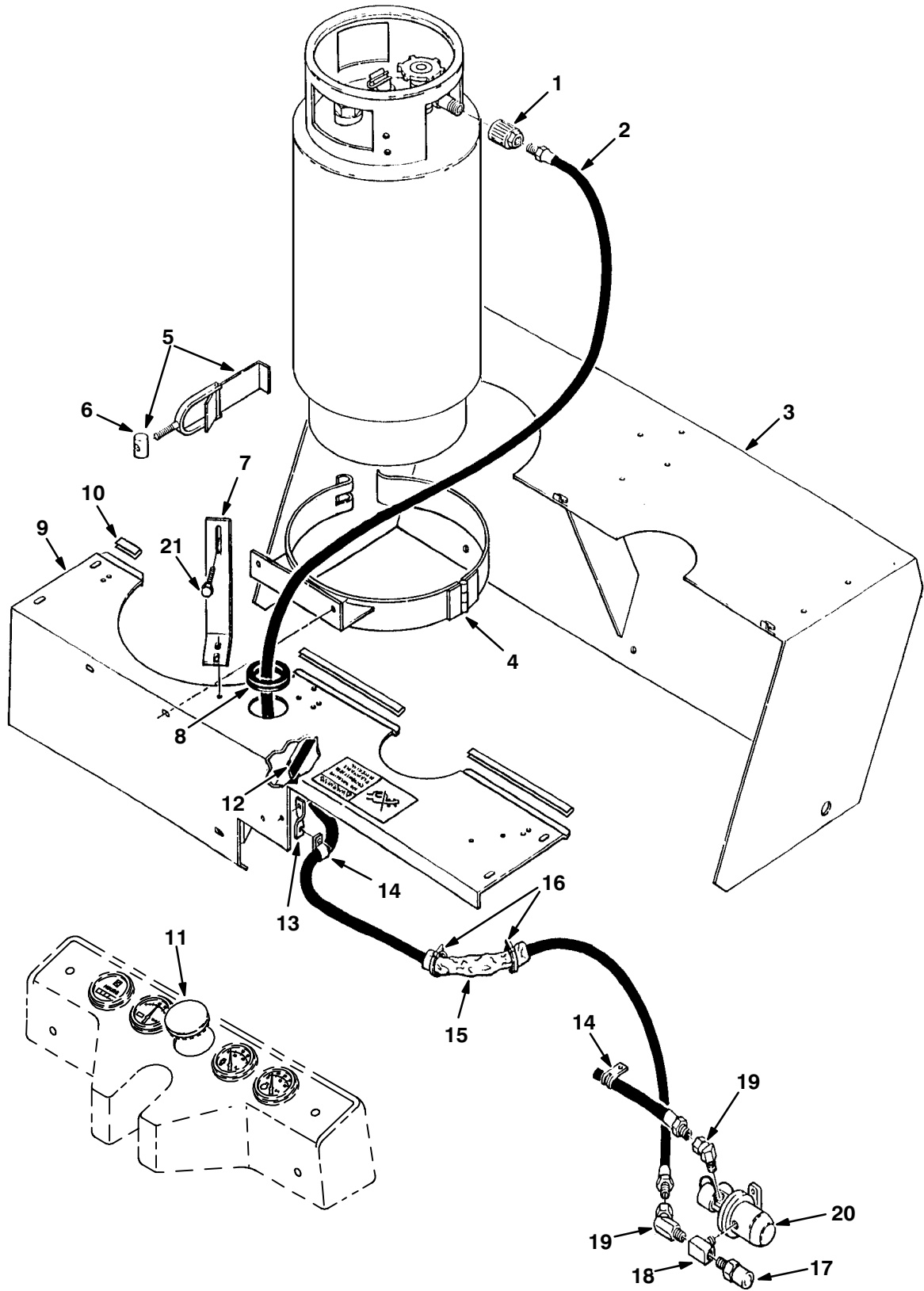


Fig. 3 – Fuel Tank Group, LPG

Fig. 3 – Fuel Tank Group, LPG

Key	TENNANT Part No.	Machine Serial Number	Description	Qty.
1	26496	(030000–)	Coupling, LPG	1
2	62865	(030000–)	Hose, LPG	1
3	57348	(030000–)	Panel, Rear, LPG with label	1
4	57327	(030000–)	Bracket, LPG	1
5	53400–1	(030000–)	Latch Assembly	1
6	53400–4	(030000–)	Nut, Adjustable	1
7	03684	(030000–)	Bracket, LPG	1
8	10632–19	(030000–)	Grommet, Rubber	1
9	25592	(030000–)	Cover and Label Assembly, Tank	1
10	59118–7	(030000–)	Molding, Trim	1
11	82747	(030344–)	Plugbutton	1
12	50850	(030000–)	Molding, Rigid	1
13	69465	(030000–)	Strip, Clamp	1
14	26395–1	(030000–)	Clamp, Cable	2
15	57452	(030000–)	Sleeve, Nylon	1
16	49266	(030000–)	Tie, Cable	2
17	24047	(030000–)	Valve, Pressure Relief	1
18	53268	(030000–)	Fitting, Tee	1
19	23301	(030000–)	Fitting, Elbow, 45°	2
20	53395–2	(030000–)	Fuel Filter Lock	1
21	SK1444	(030000–)	Repair Kit, Fuel Filter Lock	1
	55347	(030000–)	Screw, Hex	1

CONTENTS

	Page
ORDERING REPAIR PARTS	7-3
Fig. 1 – Engine Group, Diesel	7-4
Fig. 2 – Engine Fuel Line Group, Diesel	7-6
Fig. 3 – Fuel Tank Group, Diesel	7-8
Fig. 4 – Radiator Group, Diesel	7-10
Fig. 5 – Throttle Linkage Group, Diesel	7-11
Fig. 6 – Alternator Group, Diesel	7-12
Fig. 7 – Muffler Group, Diesel	7-14
Fig. 8 – Battery Group, Diesel	7-15
Fig. 9 – Wire Harness Group, Diesel	7-16
Fig. 10 – Instrument Panel Group, Diesel	7-18
Fig. 11 – Foam Insulation Group	7-19

NOTE: SECTION 7, DIESEL PARTS, lists repair parts unique to a diesel powered machine.

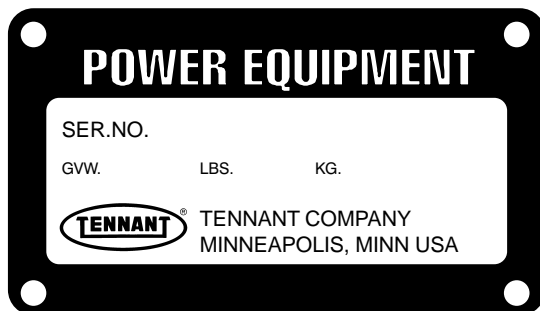
ORDERING REPAIR PARTS

The components used in this machine have been carefully selected for performance and safety. Use only Tennant Company specified or equivalent parts.

To receive prompt service in filling of your parts orders, please direct all orders for parts with Tennant Company part numbers to the Tennant Company, and all orders for parts with vendor part numbers to the local supplier of the respective vendor.

When ordering parts, please furnish all of the following information:

1. Machine model number - shown on the machine data plate.



2. Machine serial number - shown on the machine data plate.
3. Power source - gasoline, LPG, diesel, electric.
4. Company name.
5. Shipping address.
6. Billing address.
7. Name, first and last - of person ordering parts.
8. Telephone number.
9. Purchase order number.
10. Part number, description, and quantity - of each item on the order.
11. Customer ID Number.

Do not order parts by key number or the figure number of the illustrated parts. Indented items indicate parts of assemblies. Standard hardware is furnished only when part of a purchased assembly. Please get hardware from a local hardware supplier.

If the old part cannot be identified, send it to us with the quantity needed specified on the order.

Any claim for loss or damage to a shipment in transit should be filed promptly against the transportation company making the delivery. Shipments will be complete unless the packing list or order acknowledgement indicate items back ordered.

If parts received are suspected to be incorrect or defective, please write, wire, or phone the Tennant Company representative from whom you ordered the part. They will give authorization for return and/or handle replacement shipments when required.

SERIAL NUMBER INFORMATION EXPLANATION

Serial number listings are shown to indicate on which machines each part can be used. These listings are explained by the following examples:

(000000-) The part can be used on all machines.

(003342-) The part can be used on all machines beginning with the serial number listed.

(000000-004320) The part can be used on all machines up to and including serial number listed.

(004321-005678) The part can be used on all machines between and including the serial numbers listed.

Where xxxxxx's are listed in place of a serial number, it indicates a change was made but the exact serial number had not been established when the catalog went to press.

SI UNITS OF MEASURE (INTERNATIONAL SYSTEM)

Metric equivalents have been included, where applicable, throughout this parts catalog.

FASTENER STRENGTH IDENTIFICATION

Fasteners required to have high-strength qualities equivalent to SAE Grade 8 are identified throughout this catalog by the description GR 8. Unless identified by this description, all standard fasteners are SAE Grade 5.

(Specifications and design subject to change without notice.)

DIESEL PARTS

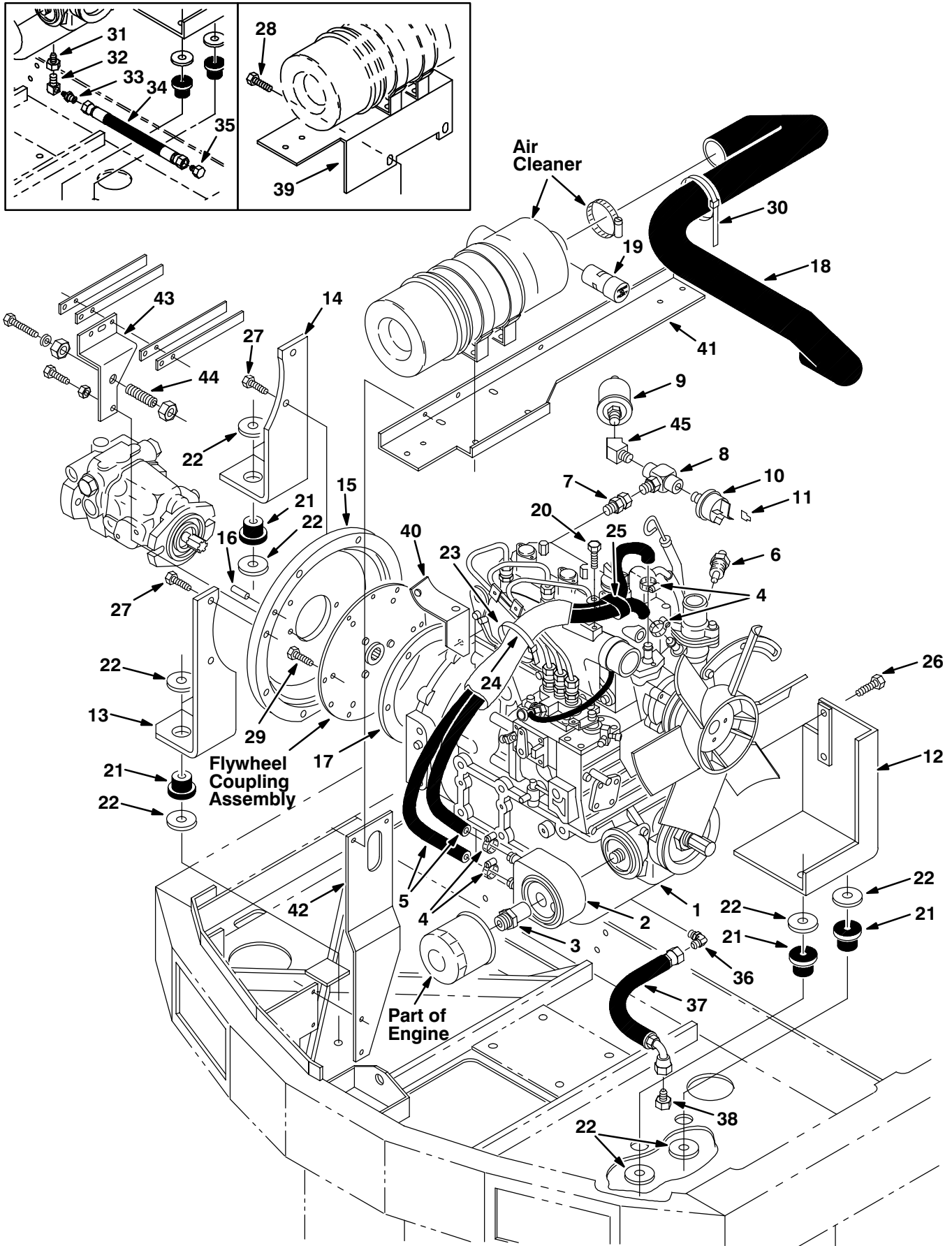


Fig. 1 – Engine Group, Diesel

Fig. 1 – Engine Group, Diesel

Key	TENNANT Part No.	Machine Serial Number	Description	Qty.
1	25614	(030000–031308)	Engine, Kubota (Replaced By 61332)	1
1	30366	(031309–032107)	Engine, Kubota (Replaced By 61332)	1
1	61332	(032108–)	Engine, Kubota	1
2	38405	(030000–)	Cooler, Oil	1
3	31484	(030000–)	Fitting, Oil Cooler	1
4	63810	(030000–)	Clamp, Worm Drive	4
5	54027	(030000–)	Hose, Rubber	2
6	82712	(030000–)	Sending Unit, Temperature	1
7	61441	(030000–)	Fitting, Straight	1
8	02961	(030000–)	Fitting, Tee	1
9	34808	(030000–)	Sender, Oil Pressure	1
10	51805	(030000–)	Switch, Oil Pressure	1
11	68106	(030000–)	Terminal, Tab	1
12	25465	(030000–)	Bracket, Front Engine Mounting	1
13	25497	(030000–)	Bracket, Motor Mounting	1
14	25495	(030000–)	Bracket, Motor Mounting	1
15	25500	(030000–)	Housing, Flywheel	1
16	82579	(030000–)	Pin, Spring	2
17	25522	(030000–)	Ring, Coupling Mounting	1
18	82598	(030000–)	Hose, Air Intake	1
19	03026	(030000–)	Indicator, Service	1
20	50388	(030000–)	Screw, Hex, M8	1
21	51176	(030000–)	Dampener, Engine	4
22	57048	(030000–)	Washer	8
23	82830	(030000–)	Sleeve, Nylon	1
24	49263	(030000–)	Tie, Cable	2
25	09570	(030000–)	Clamp, Double Hose	1
26	82573	(030000–)	Screw, Hex, M12	2
27	82262	(030000–)	Screw, Hex, M10	4
28	82572	(030000–031708)	Screw, Hex, M10	4
29	07299	(030000–)	Screw, Hex, M10	6
30	44961	(030000–)	Tie, Cable	1
	28857	(030000–030499)	Drain Plug Replacement Kit	1
31	28856	(030000–030499)	Fitting, Plug	1
32	11984	(030000–030499)	Fitting, Elbow	1
33	56708	(030000–030499)	Fitting, Straight	1
34	76762	(030000–030499)	Hose	1
35	19747	(030000–030499)	Fitting, Plug	1
36	33595	(030500–)	Fitting, Elbow	1
37	57971	(030500–)	Hose	1
38	16376	(030500–)	Fitting, Plug	1
39	32296	(030000–031708)	Bracket Replacement Kit, Mounting	1
40	32294	(031709–)	Bracket, Hose Support	1
41	32295	(031709–)	Bracket, Mount	1
42	32293	(031709–)	Bracket, Air Cleaner Support	1
43	32292	(030000–031708)	Bracket Replacement Kit, Centering Spring	1
43	32289	(031709–)	Bracket, Centering Spring	1
44	32290	(031709–)	Sleeve, Threaded	1
45	24976	(030000–)	Fitting, 45°	1

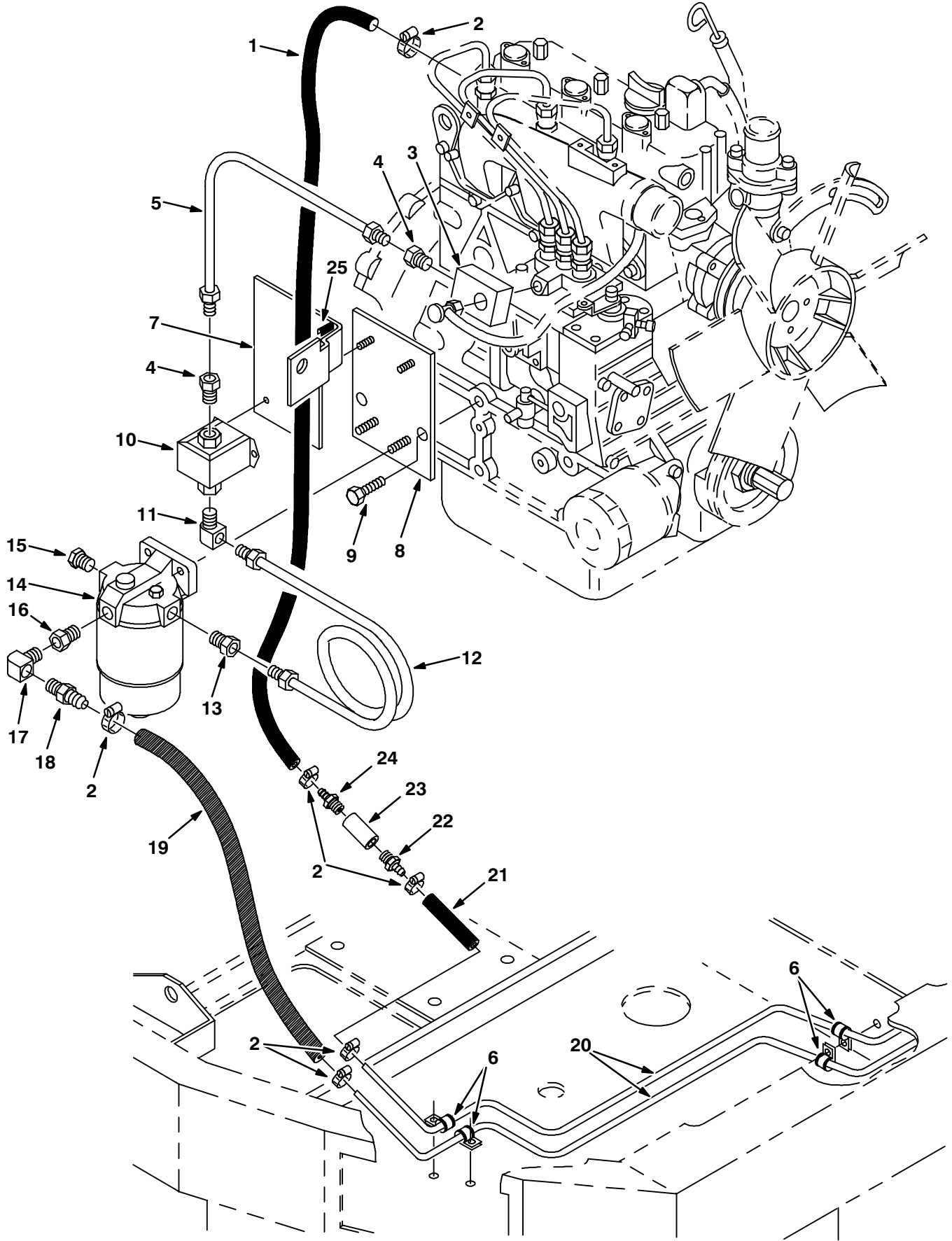


Fig. 2 – Engine Fuel Line Group, Diesel

Fig. 2 – Engine Fuel Line Group, Diesel

Key	TENNANT Part No.	Machine Serial Number	Description	Qty.
1	87738	(030000–)	Hose, Rubber	1
2	43844	(030000–)	Clamp, Worm Drive	6
3	06907	(030000–)	Banjo, Fuel	1
4	06869	(030000–)	Fitting, Straight	2
5	06871	(030000–)	Tube Assembly, Fuel Line	1
6	76736	(030000–)	Clamp, Cable	4
7	31483	(030000–)	Bracket, Mounting	1
8	82513	(030000–)	Plate, Fuel Filter Mounting	1
9	82573	(030000–)	Screw, Hex, M12	2
10	61404	(030000–032813)	Pump Replacement Kit, Fuel	1
10	59945	(032814–)	Pump, Fuel	1
11	15555	(030000–)	Fitting, Elbow	1
12	06870	(030000–)	Tube Assembly, Fuel Line	1
13	16564	(030000–)	Fitting, Straight	1
14	06868	(030000–)	Filter, Water Separator Fuel	1
	82692	(030000–)	Element, Fuel Filter	1
15	02247	(030000–)	Fitting, Plug	1
16	17414	(030000–)	Fitting, Straight	1
17	11984	(030000–)	Fitting, Elbow	1
18	61686	(030000–)	Fitting, Straight	1
19	87730	(030000–)	Hose, Rubber	1
20	03491	(030000–)	Fuel Line	2
21	82526	(030000–)	Hose, Fuel Line	1
22	82544	(030000–)	Fitting, Straight, Barbed	1
23	11848	(030000–)	Fitting, Coupling	1
24	40607	(030000–)	Fitting, Straight, Barbed	1
25	50850	(030000–)	Molding, Rigid	1

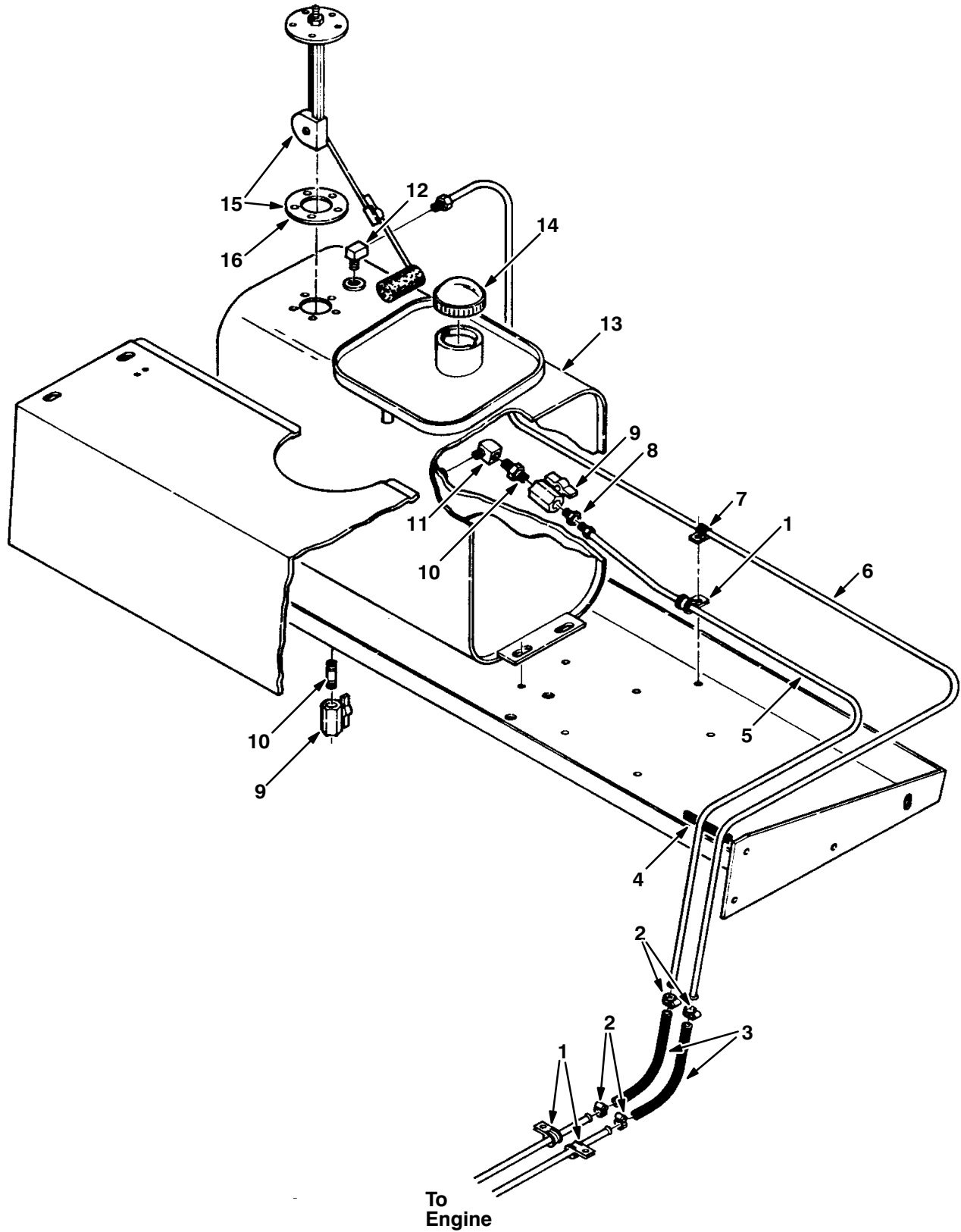


Fig. 3 – Fuel Tank Group, Diesel

Fig. 3 – Fuel Tank Group, Diesel

Key	TENNANT Part No.	Machine Serial Number	Description	Qty.
1	76736	(030000–)	Clamp, Cable	5
2	43844	(030000–)	Clamp, Worm Drive	4
3	03505	(030000–)	Hose, Fuel Line	2
4	62595–18	(030000–)	Molding, Rigid	1
5	03503	(030000–)	Fuel Line	1
6	03504	(030000–)	Fuel Line	1
7	46236	(030000–)	Clamp, Cable	1
8	40585	(030000–)	Fitting, Straight	1
9	07885	(030000–)	Valve, Ball	2
10	47566	(030000–)	Fitting, Straight	2
11	11984	(030000–)	Fitting, Elbow	1
12	15555	(030000–)	Fitting, Elbow	1
13	82729	(030000–)	Tank, Fuel	1
14	48267	(030000–)	Cap	1
15	07874	(030000–)	Sending Unit, Fuel	1
16	14131	(030000–)	Gasket, Sending Unit	1

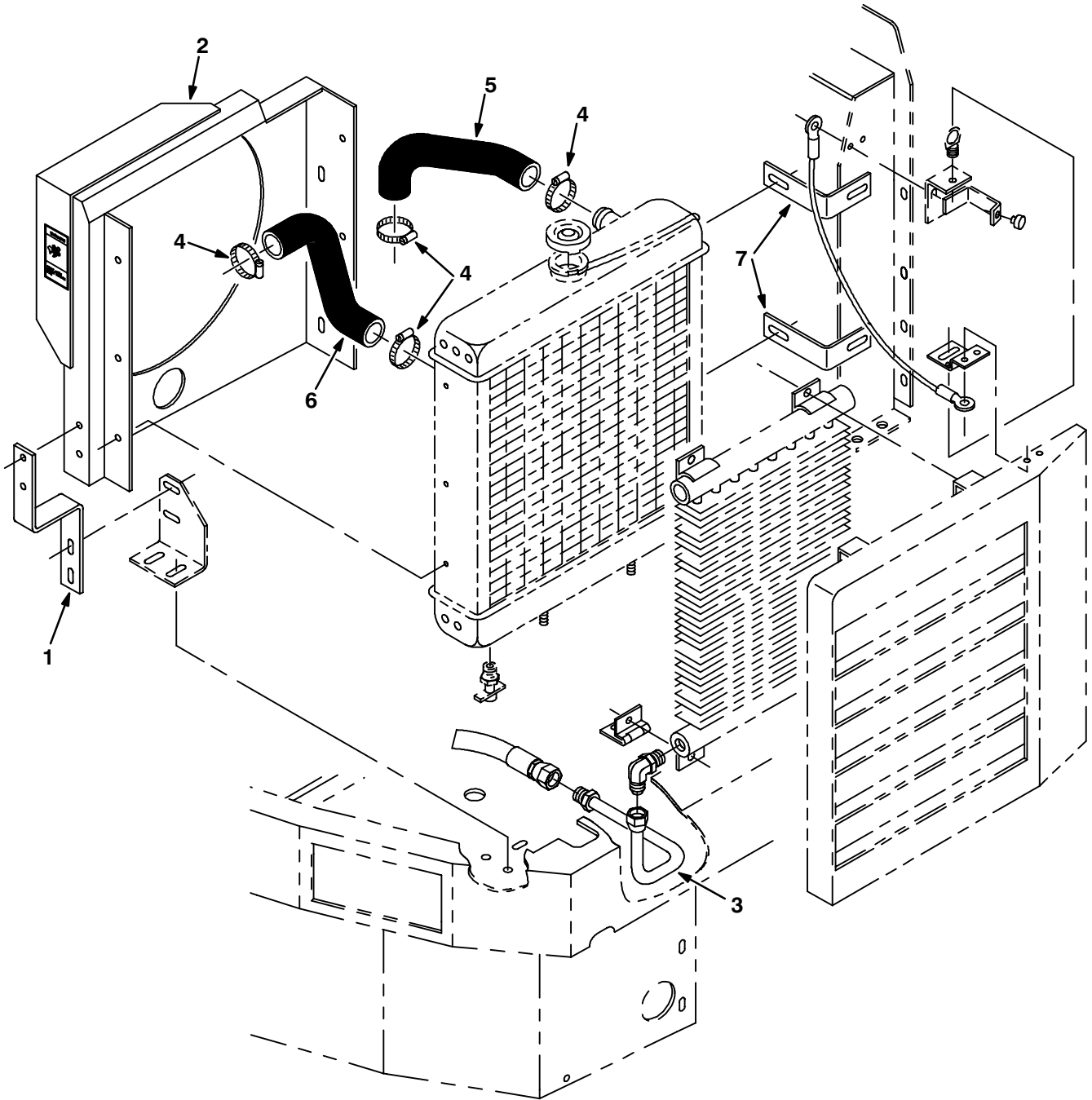
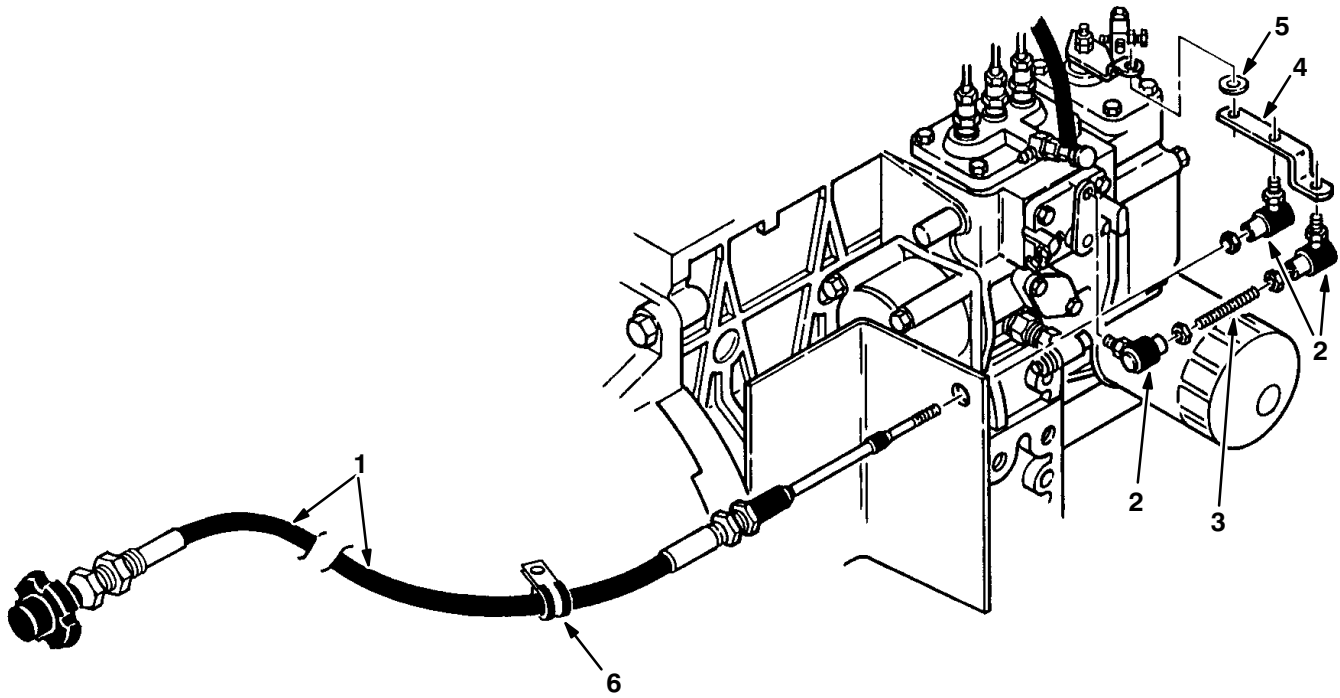


Fig. 4 – Radiator Group, Diesel

05168

Key	TENNANT Part No.	Machine Serial Number	Description	Qty.
1	25399	(030000–)	Bracket, Radiator Mounting	1
2	31482	(030000–)	Guard and Label Assembly, Fan	1
3	19555	(030000–)	Tube, Hydraulic	1
4	11531	(030000–)	Clamp, Worm Drive	4
5	25530	(030000–)	Hose, Upper Radiator	1
6	25533	(030000–)	Hose, Lower Radiator	1
7	19114	(030000–)	Bracket, Radiator Mount	2



05174

Fig. 5 – Throttle Linkage Group, Diesel

Key	TENNANT Part No.	Machine Serial Number	Description	Qty.
1	25526	(030000–)	Cable, Push-Pull	1
2	14601	(030000–)	Ball Joint	3
3	42196	(030000–)	Rod, Full Thread	1
4	82597	(030000–)	Link, Throttle	1
5	24924	(030000–)	Washer, Nylon	1
6	26395-1	(030000–)	Clamp, Cable	2

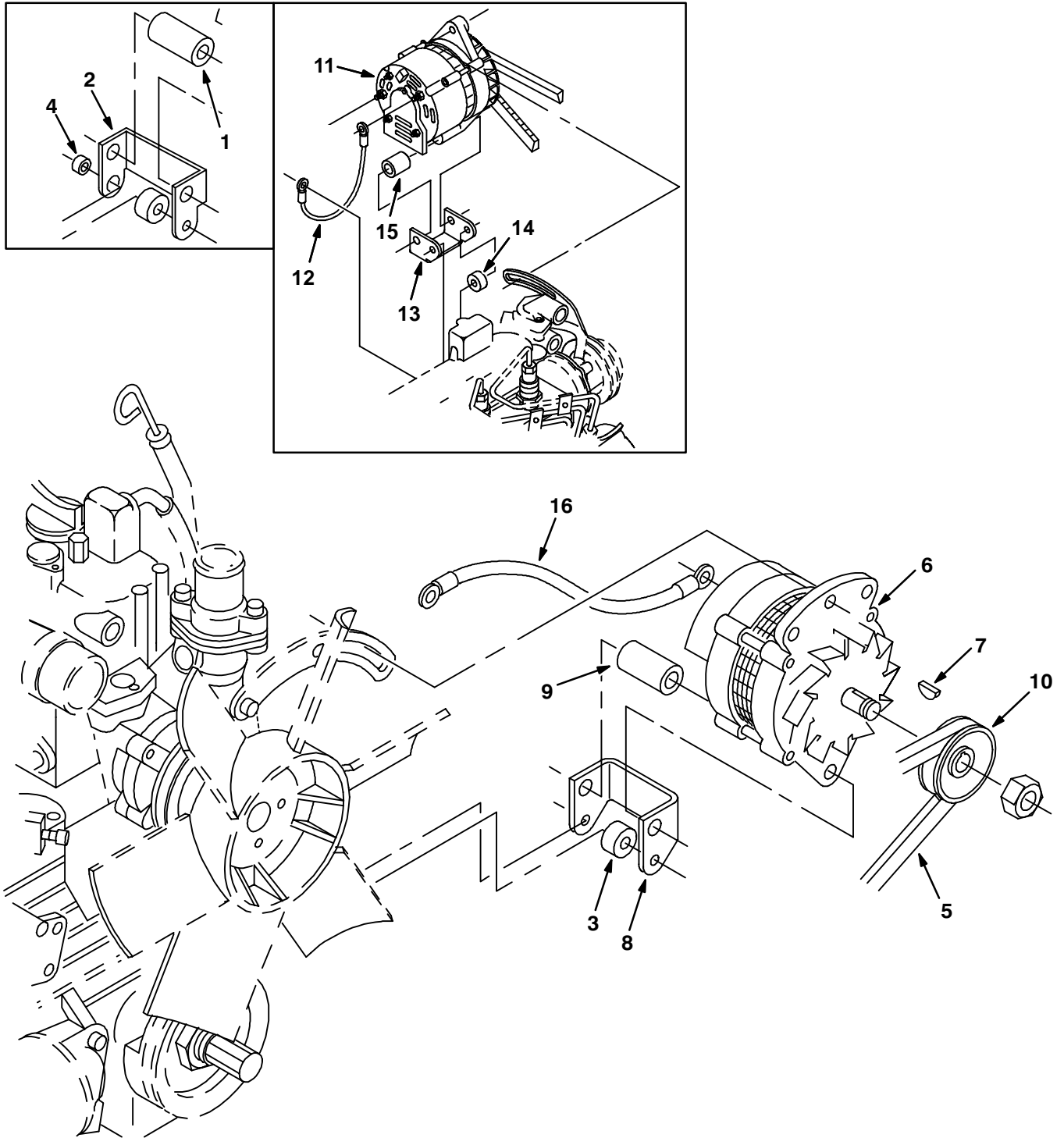


Fig. 6 – Alternator Group, Diesel

Fig. 6 – Alternator Group, Diesel

Key	TENNANT Part No.	Machine Serial Number	Description	Qty.
1	02964	(030000–031838)	Tube, Steel (Replaced By None)	1
2	30430	(030000–031838)	Bracket Replacement Kit, Alternator	1
3	02965	(030000–032196)	Sleeve	1
3	02965	(032726–)	Sleeve	1
4	62797	(030000–031838)	Sleeve	1
5	25643	(030000–)	V-Belt	1
6	03233	(030000–032196)	Alternator, Prestolite	1
6	03233	(032726–)	Alternator, Prestolite	1
7	00500–5	(032726–)	Key, Woodruff	1
	61515	(032726–)	Diode And Rectifier Assembly	1
	61516	(032726–)	Brush Assembly, Alternator	1
	01844	(032726–)	Bearing, Ball	1
	61517	(032726–)	Regulator, Voltage	1
8	33641	(031839–032196)	Bracket, Alternator	1
8	33641	(032726–)	Bracket, Alternator	1
9	33647	(031839–032196)	Sleeve	1
9	33647	(032726–)	Sleeve	1
10	54914	(030000–032196)	Sheave	1
10	54914	(032726–)	Sheave	1
11	60559	(032197–032725)	Alternator, Mando	1
	61931	(032197–032725)	Regulator Assembly	1
	86041	(032197–032725)	Bearing, Ball	1
	61529	(032197–032725)	Brush Kit	1
	61531	(032197–032725)	Rectifier Assembly	1
	70160	(032197–032725)	Alternator, Pulley	1
12	60561	(032197–032725)	Wire, Alternator	1
13	33701	(032197–032725)	Bracket, Alternator, Kubota	1
14	06918	(032197–032725)	Sleeve, .375B 1.00D	1
15	33736	(032197–032725)	Sleeve	1
16	82731	(030000–)	Wire, Alternator Ground	1

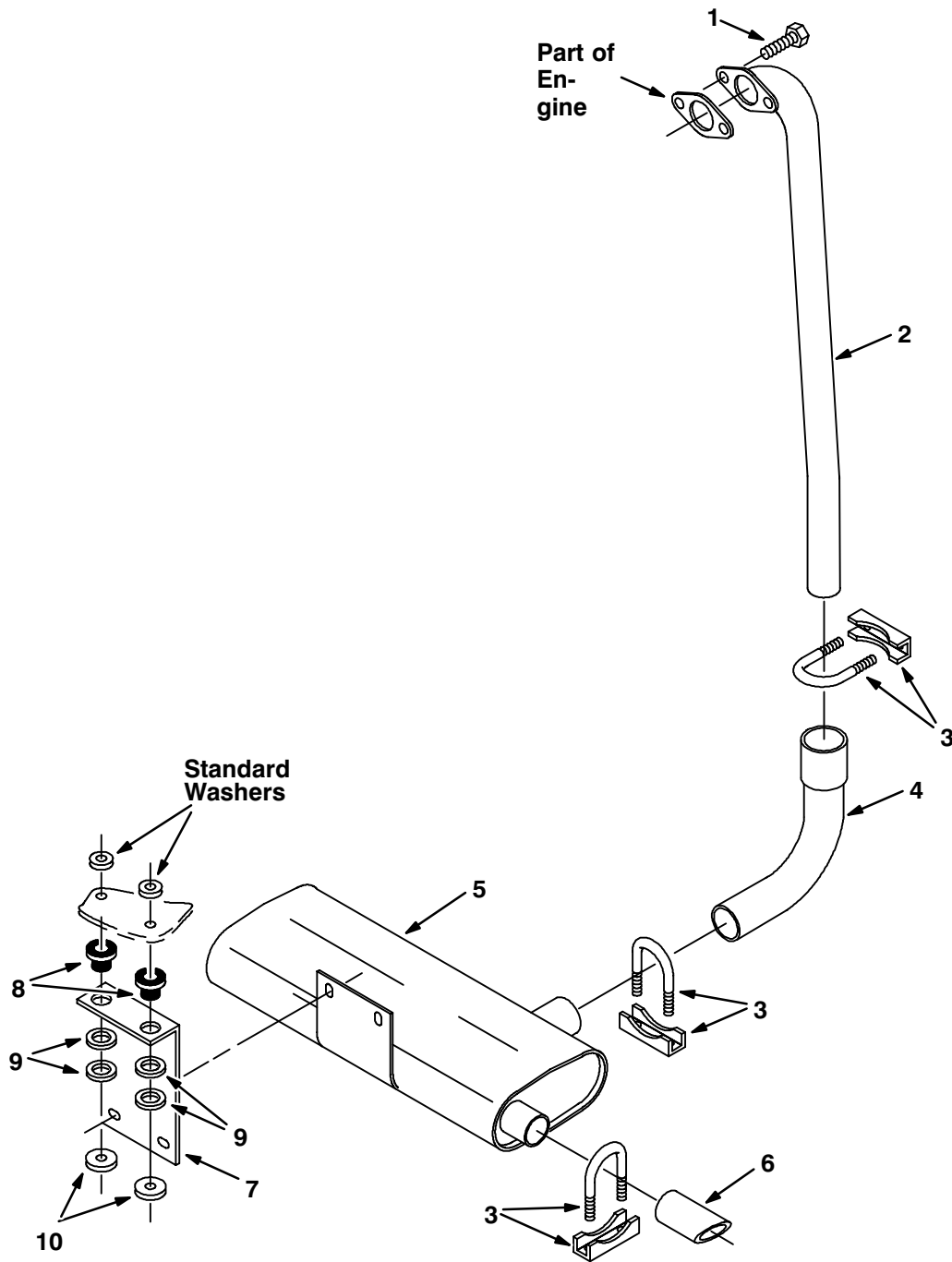


Fig. 7 – Muffler Group, Diesel

05360

Key	TENNANT Part No.	Machine Serial Number	Description	Qty.
1	07299	(030000–)	Screw, Hex, M10	2
2	25606	(030000–)	Pipe, Exhaust	1
3	24012	(030000–)	Clamp, Muffler	3
4	16341	(030000–)	Pipe, Exhaust	1
5	56465	(030000–)	Muffler	1
6	64107	(030000–)	Pipe, Tail	1
7	16314	(030000–)	Bracket, Muffler	1
8	54274	(030000–)	Isolator, Vibration	2
9	09832	(030000–)	Washer	4
10	13248	(030000–)	Washer	2

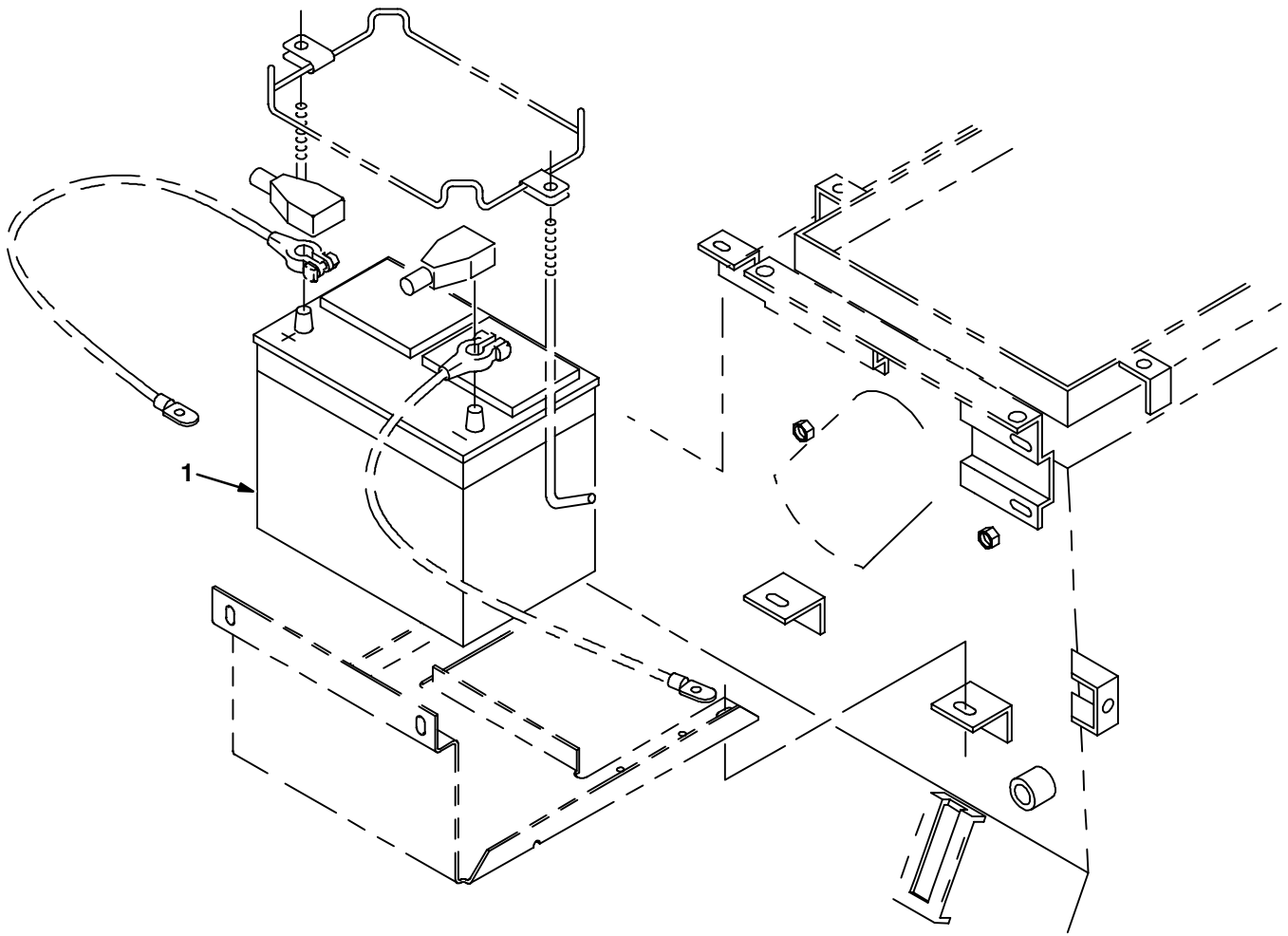


Fig. 8 – Battery Group, Diesel

05167

Key	TENNANT Part No.	Machine Serial Number	Description	Qty.
1	10143	(030000–)	Battery, 12 V, 540 ccA, Wet	1

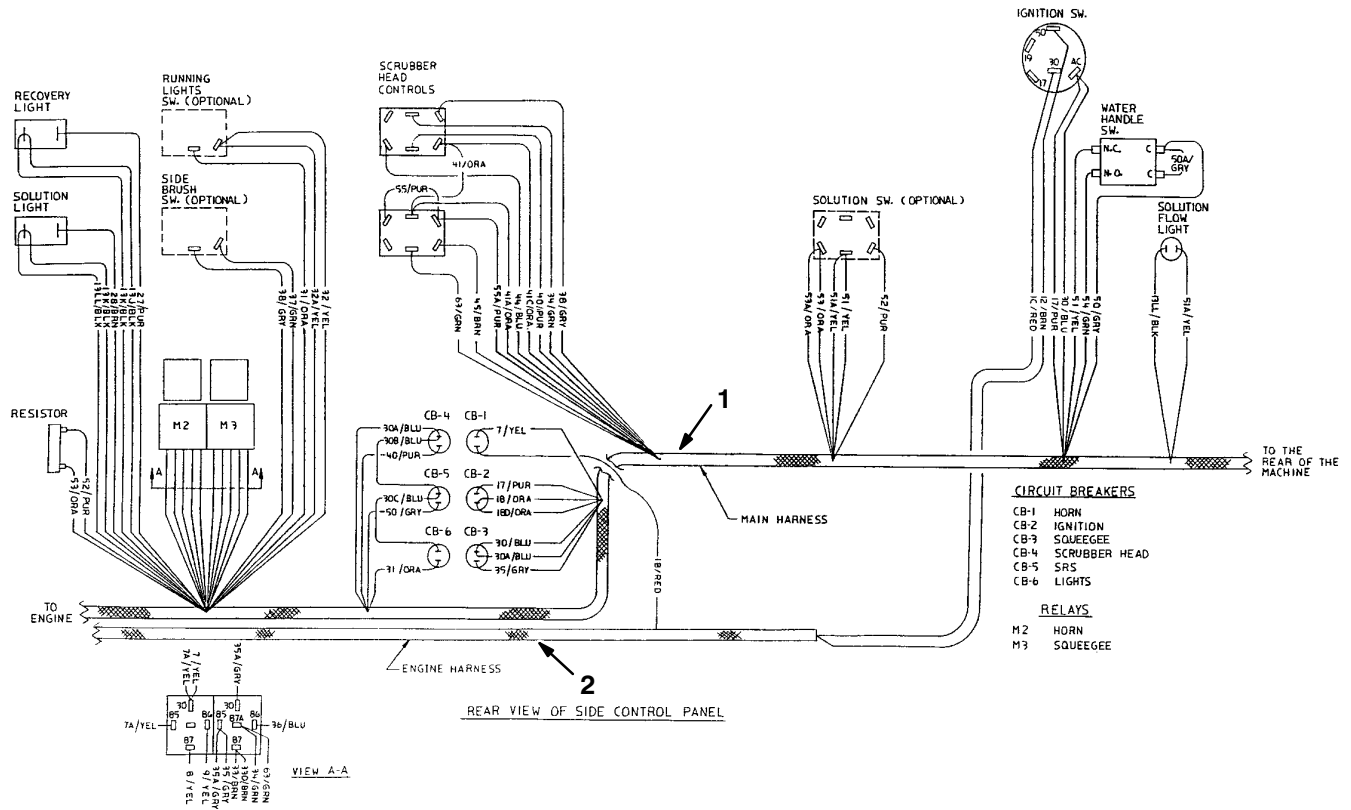
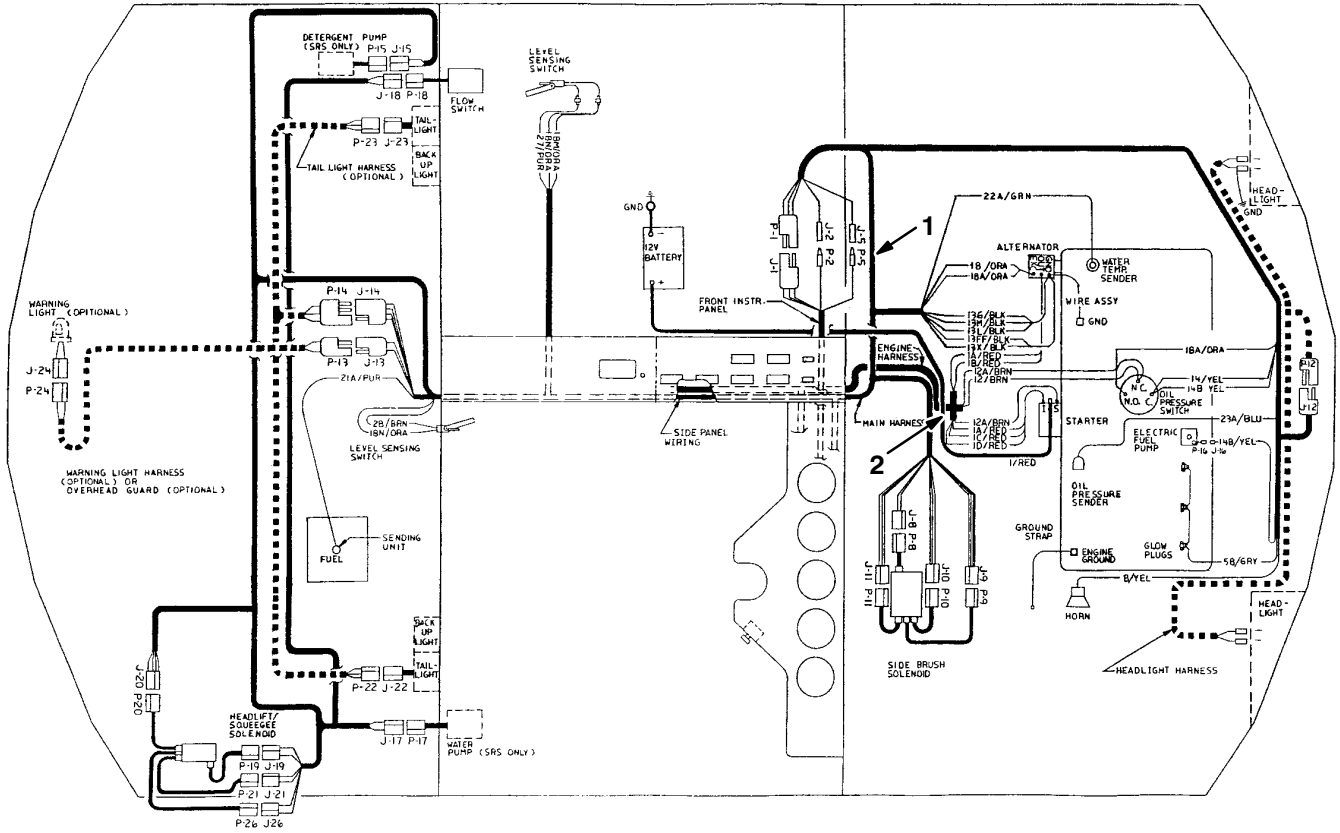
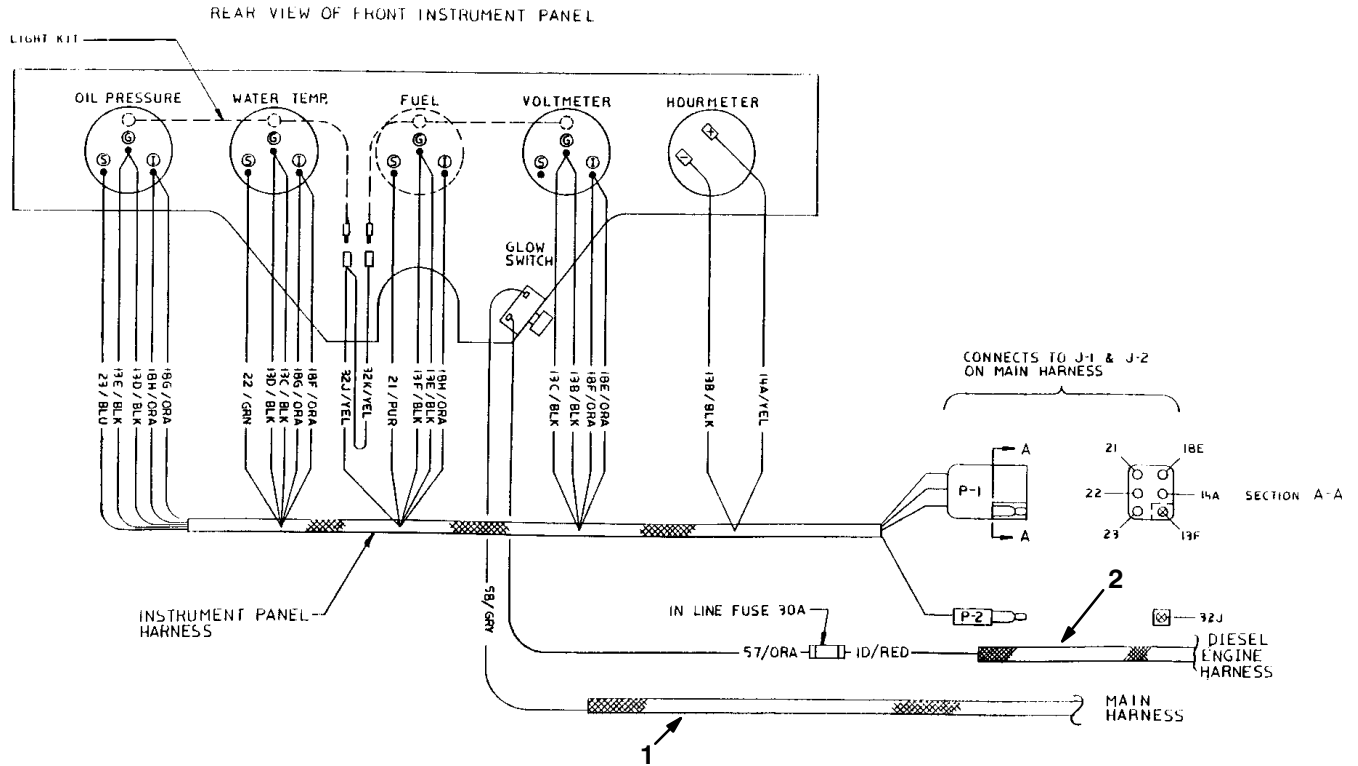


Fig. 9 - Wire Harness Group, Diesel



05172

Fig. 9 – Wire Harness Group, Diesel

Key	TENNANT Part No.	Machine Serial Number	Description	Qty.
1	19463	(030000-030365)	Wire Harness, Main	1
	19756	(030000-030365)	Diode Assembly, Dual, 3 A, 600 V	3
	45973	(030000-030365)	Holder, In-Line Fuse	1
1	31512	(030366-xxxxxx)	Wire Harness, Main	1
	19756	(030366-xxxxxx)	Diode Assembly, Dual, 3 A, 600 V	2
	45973	(030366-xxxxxx)	Holder, In-Line Fuse	1
1	61491	(xxxxxx-032813)	Wire Harness Replacement Kit, Main	1
1	61405	(032814-)	Wire Harness, Main	1
2	19516	(030000-xxxxxx)	Wire Harness, Diesel Engine	1
	45973	(030000-xxxxxx)	Holder, In-Line Fuse	1
2	31744	(xxxxxx-)	Wire Harness, Diesel Engine	1

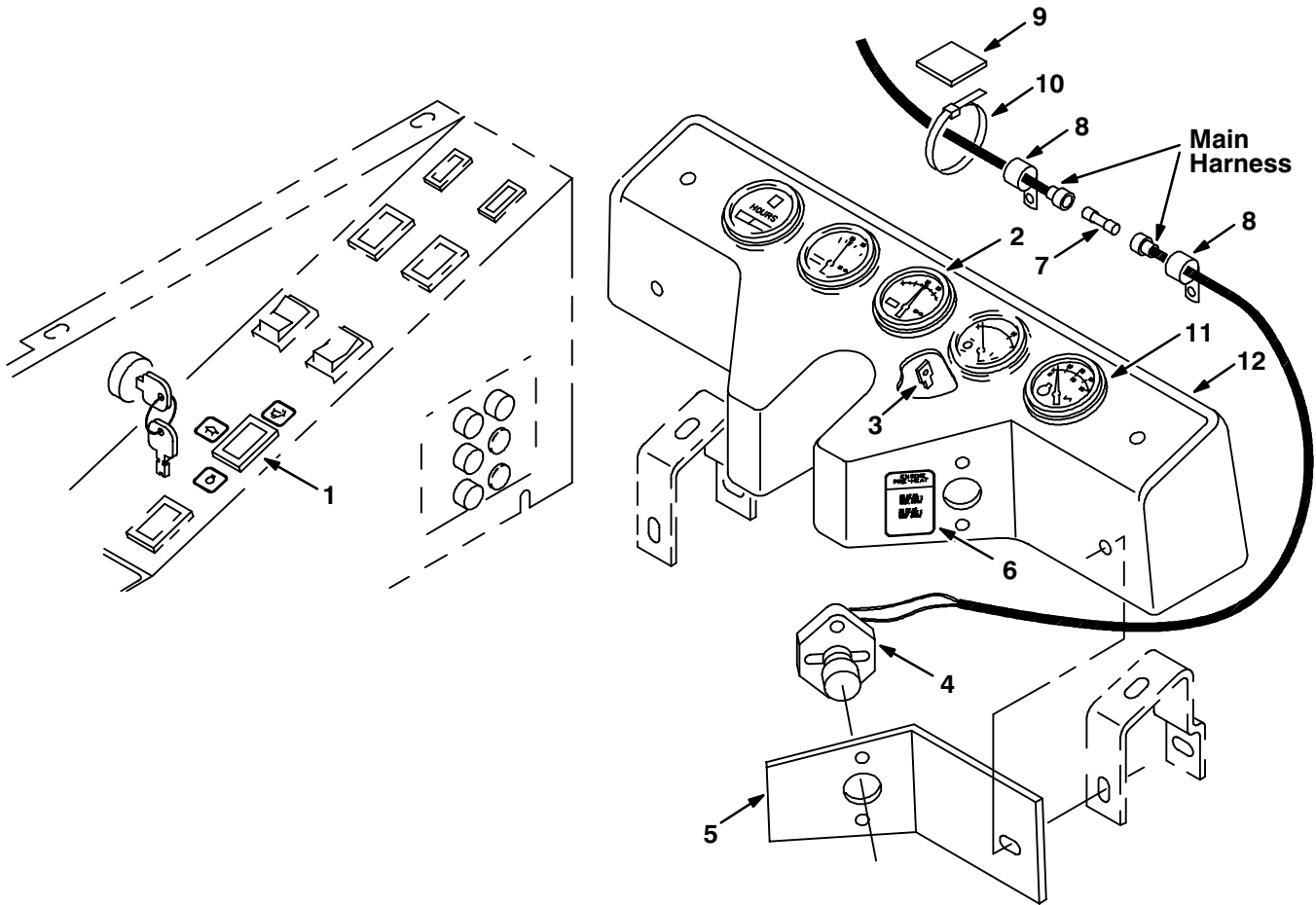


Fig. 10 – Instrument Panel Group, Diesel

05171

Key	TENNANT Part No.	Machine Serial Number	Description	Qty.
1	57772	(030000–)	Plate, Cover	1
2	34813	(030000–)	Gauge, Fuel	1
3	68106	(030000–)	Terminal, Tab	2
4	44078	(030000–)	Switch, Push, MOM, SPST	1
5	57481	(030000–)	Bracket, Switch	1
6	57386	(030000–)	Label, Engine Pre-Heat	1
7	45975	(030000–)	Fuse, 30 A	1
8	06777	(030000–)	Clamp, Cable	2
9	55248	(030000–)	Mount, Cable Tie	2
10	49266	(030000–)	Tie, Cable	3
11	34811	(030000–)	Gauge, Oil Pressure	1
12	25616	(030000–)	Panel, Front Instrument	1

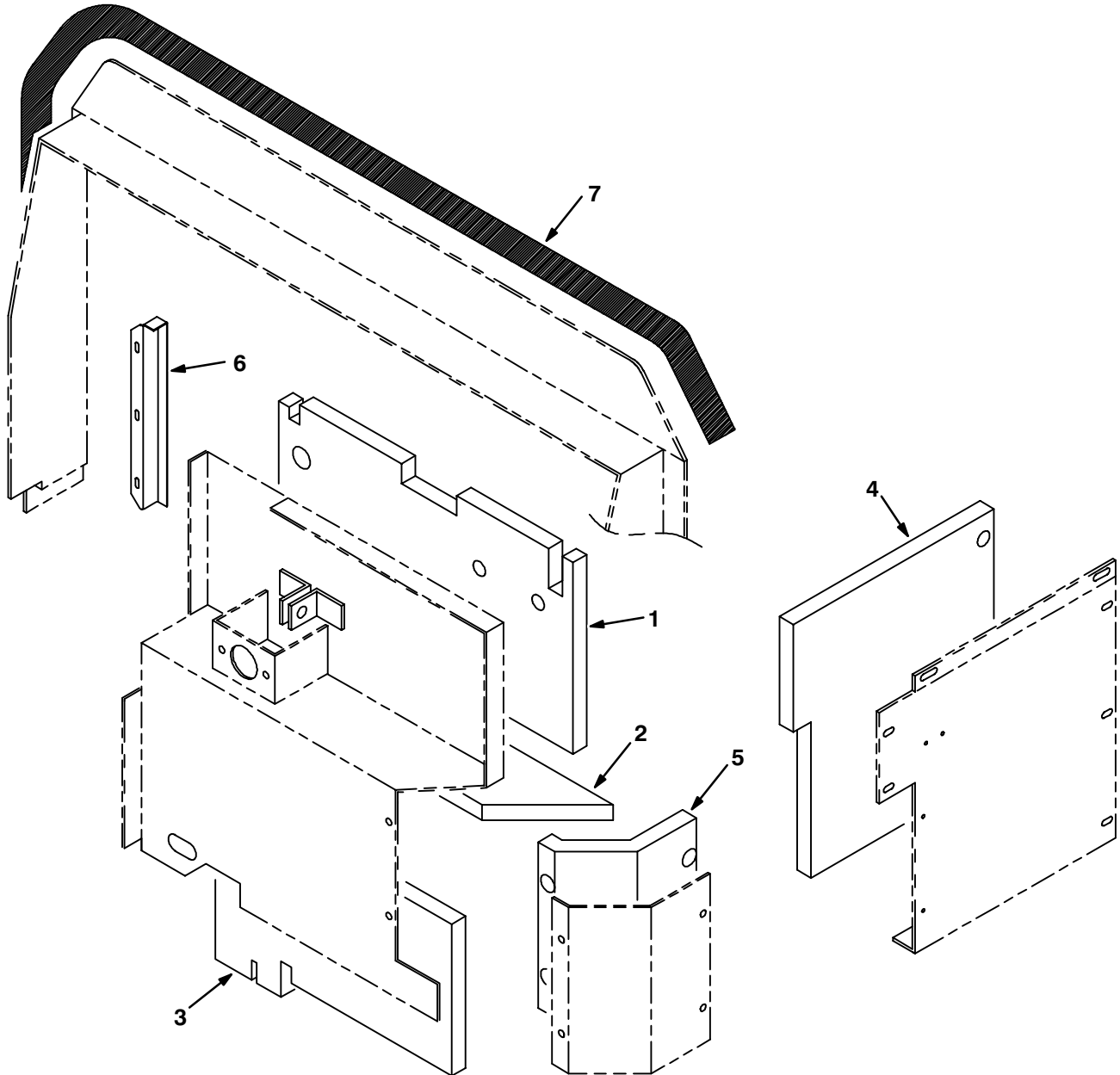


Fig. 11 – Foam Insulation Group

07294

Key	TENNANT Part No.	Machine Serial Number	Description	Qty.
1	32305	(030000–)	Insulation, Foam, Front Upper	1
2	32306	(030000–)	Insulation, Foam, Front Center	1
3	32307	(030000–)	Insulation, Foam, Front Lower	1
4	32314	(030000–)	Insulation, Foam, Side Panel	1
5	32315	(030000–)	Insulation, Foam, Removable Panel	1
6	32299	(030000–)	Bracket, Insulation Retainer	1
7	32334	(030000–)	Seal	1

SECTION 8**CONTENTS**

	Page
ORDERING REPAIR PARTS	8-3
Fig. 1 – Solution Supply Group, SRS®	8-4
Fig. 2 – Solution Tank Group, SRS®	8-6
Fig. 3 – Instrument Panel Group, SRS®	8-8

NOTE: SECTION 8, SRS® MODEL PARTS, lists repair parts unique to an SRS® model machine.

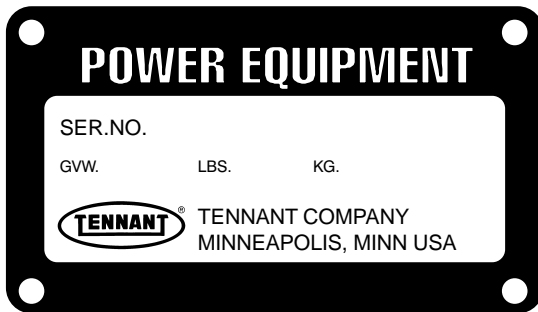
ORDERING REPAIR PARTS

The components used in this machine have been carefully selected for performance and safety. Use only Tennant Company specified or equivalent parts.

To receive prompt service in filling of your parts orders, please direct all orders for parts with Tennant Company part numbers to the Tennant Company, and all orders for parts with vendor part numbers to the local supplier of the respective vendor.

When ordering parts, please furnish all of the following information:

1. Machine model number - shown on the machine data plate.



2. Machine serial number - shown on the machine data plate.
3. Power source - gasoline, LPG, diesel, electric.
4. Company name.
5. Shipping address.
6. Billing address.
7. Name, first and last - of person ordering parts.
8. Telephone number.
9. Purchase order number.
10. Part number, description, and quantity - of each item on the order.
11. Customer ID Number.

Do not order parts by key number or the figure number of the illustrated parts. Indented items indicate parts of assemblies. Standard hardware is furnished only when part of a purchased assembly. Please get hardware from a local hardware supplier.

If the old part cannot be identified, send it to us with the quantity needed specified on the order.

Any claim for loss or damage to a shipment in transit should be filed promptly against the transportation company making the delivery. Shipments will be complete unless the packing list or order acknowledgement indicate items back ordered.

If parts received are suspected to be incorrect or defective, please write, wire, or phone the Tennant Company representative from whom you ordered the part. They will give authorization for return and/or handle replacement shipments when required.

SERIAL NUMBER INFORMATION EXPLANATION

Serial number listings are shown to indicate on which machines each part can be used. These listings are explained by the following examples:

(030000-) The part can be used on all machines.

(003342-) The part can be used on all machines beginning with the serial number listed.

(030000-004320) The part can be used on all machines up to and including serial number listed.

(004321-005678) The part can be used on all machines between and including the serial numbers listed.

Where xxxxxx's are listed in place of a serial number, it indicates a change was made but the exact serial number had not been established when the catalog went to press.

SI UNITS OF MEASURE (INTERNATIONAL SYSTEM)

Metric equivalents have been included, where applicable, throughout this parts catalog.

FASTENER STRENGTH IDENTIFICATION

Fasteners required to have high-strength qualities equivalent to SAE Grade 8 are identified throughout this catalog by the description GR 8. Unless identified by this description, all standard fasteners are SAE Grade 5.

(Specifications and design subject to change without notice.)

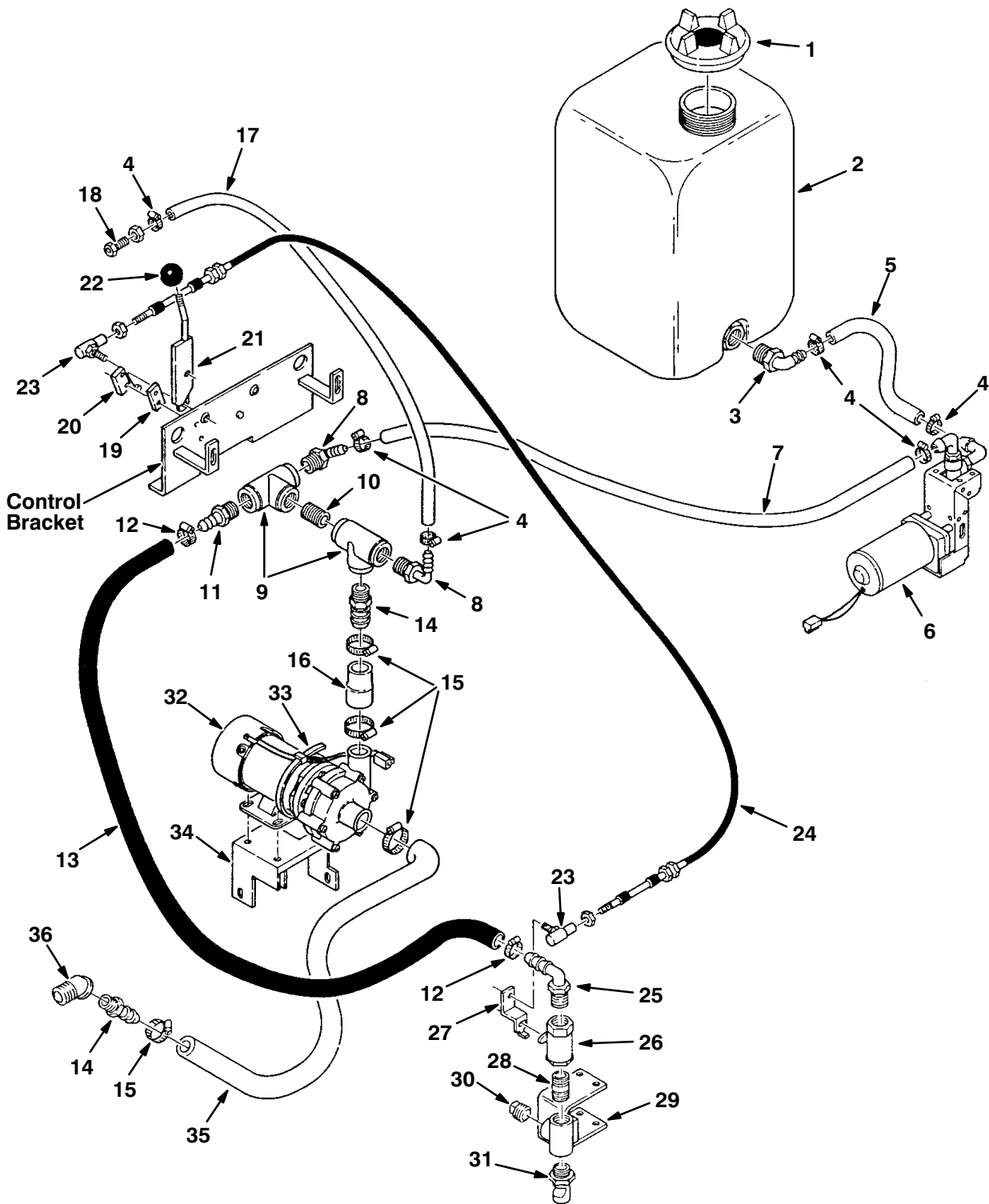


Fig. 1 – Solution Supply Group, SRS®

Fig. 1 – Solution Supply Group, SRS®

Key	TENNANT Part No.	Machine Serial Number	Description	Qty.
1	25618	(030000–)	Cap, Detergent Tank	1
2	57115	(030000–)	Tank, Detergent	1
3	57248	(030000–)	Fitting, Elbow	1
4	43844	(030000–)	Clamp, Worm Drive	6
5	51795	(030000–)	Hose, Rubber	1
6	16485	(030000–)	Pump Assembly (See Miscellaneous Components)	1
7	79610	(030000–)	Hose, Vinyl	1
8	79484	(030000–)	Fitting, Elbow	2
9	42133A	(030000–)	Fitting, Tee	2
10	69784	(030000–)	Fitting, Nipple	1
11	79273–2	(030000–)	Fitting, Coupling	1
12	63810	(030000–)	Clamp, Worm Drive	2
13	57317	(030000–)	Hose, Rubber	1
14	57379	(030000–)	Fitting, Straight	2
15	11399	(030000–)	Clamp, Worm Drive	4
16	57377	(030000–)	Hose, Pump Outlet	1
17	68301	(030000–)	Hose, Vinyl	1
18	57442	(030000–)	Orifice	1
19	69203	(030000–)	Strip	1
20	20625	(030000–)	Switch, Micro	1
21	25587	(030000–)	Handle	1
22	26565	(030000–)	Knob	1
23	14601	(030000–)	Ball Joint	2
24	69494–2	(030000–)	Cable Assembly	1
25	40145	(030000–)	Fitting, Barbed Elbow	1
26	12083	(030000–)	Water, Valve	1
27	12068	(030000–)	Arm, Water Valve	1
28	28298	(030000–)	Fitting, Nipple	1
29	19550	(030000–)	Bracket, Nozzle Mounting	1
30	17521	(030000–)	Fitting, Plug	1
31	79606	(030000–)	Nozzle, Floodjet	1
32	03838	(030000–031700)	Pump, Solution (Replaced By 48787) (See Miscellaneous Components)	1
32	33327	(031701–)	Pump, Solution (See Miscellaneous Components)	1
33	49266	(030000–)	Tie, Cable	1
34	48784	(030000–)	Bracket, Pump Mount	1
35	57378	(030000–)	Hose, Pump Inlet	1
36	11870	(030000–)	Fitting, Elbow, 45°	1

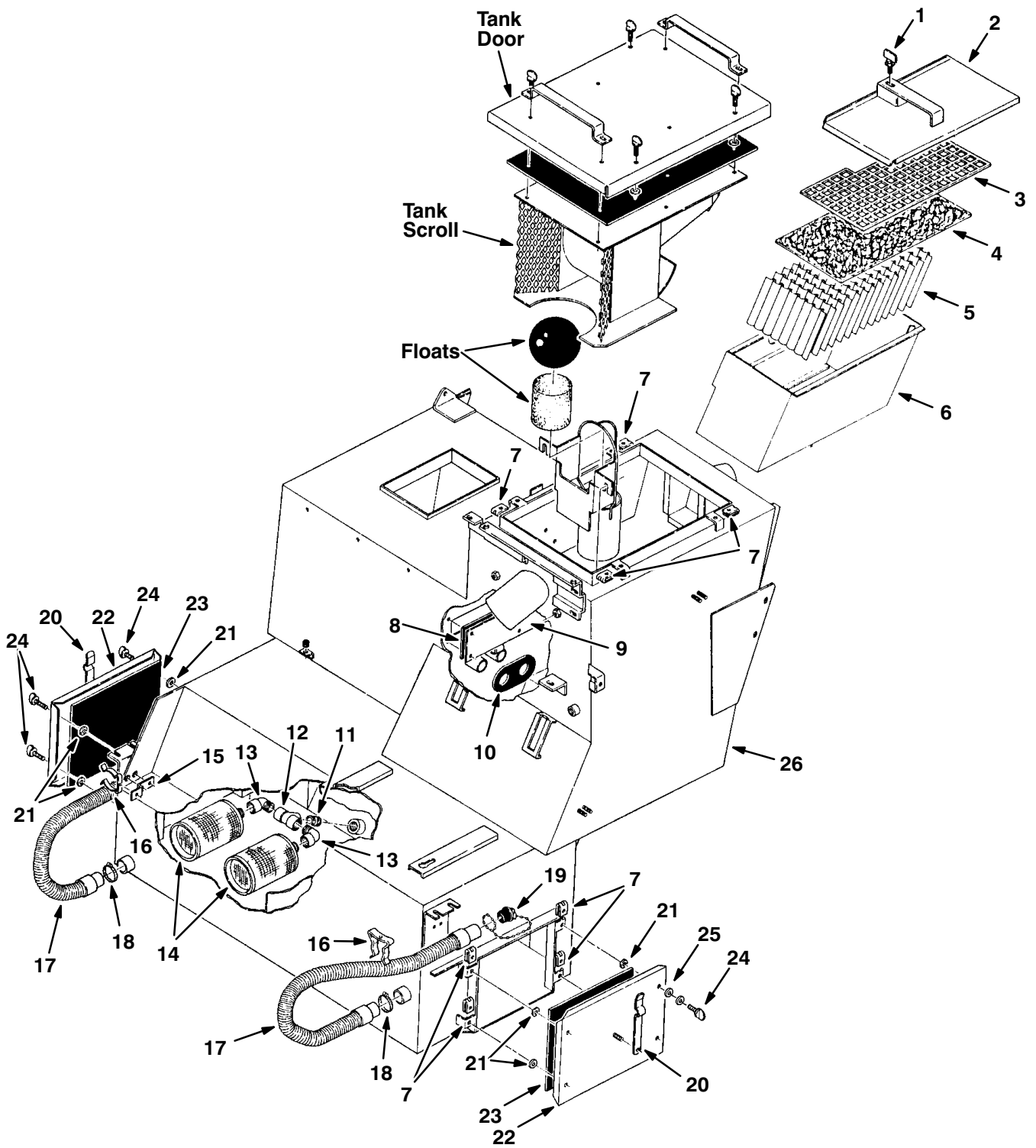


Fig. 2 – Solution Tank Group, SRS®

Fig. 2 – Solution Tank Group, SRS®

Key	TENNANT Part No.	Machine Serial Number	Description	Qty.
1	69649	(030000–)	Nut, Wing	1
	64677	(030000–)	Filter Assembly, Laminar Flow	1
2	64003	(030000–)	Cover, Filter Cage	1
3	03594	(030000–)	Screen	1
4	03593	(030000–)	Filter	1
5	64010	(030000–)	Laminar Flow Tubes	1
6	64014	(030000–)	Panel, Filter Cage	1
7	28165	(030000–)	Fastener	12
8	64015	(030000–)	Gasket, Tank Divider	1
9	64016	(030000–)	Plate, Tank Divider	1
10	69639	(030000–)	Gasket, Vent Tube	1
11	69784	(030000–)	Fitting, Nipple	1
12	42133A	(030000–)	Fitting, Tee	1
13	69785	(030000–)	Fitting, Elbow	2
14	79424	(030000–)	Screen, Solution	2
15	69612	(030000–)	Bracket, Clip Mounting	1
16	67004	(030000–)	Clip, Finger Grip	2
17	57482	(030000–)	Hose Assembly, Drain	2
18	11531	(030000–)	Clamp, Worm Drive	2
19	56505	(030000–)	Stopper Assembly	2
	64866	(030000–)	Cover Assembly, Tank	2
20	69637	(030000–)	Spring, Drain Hose	1
21	08156	(030000–)	Retainer, Screw	4
22	03600	(030000–)	Door	1
23	03601	(030000–)	Gasket	1
24	25665	(030000–031392)	Screw Kit, Thumb	4
24	25656	(031393–)	Screw, Thumb	4
25	25664	(031393–)	Washer, Nylon	4
26	19085	(030000–)	Tank, Solution	1

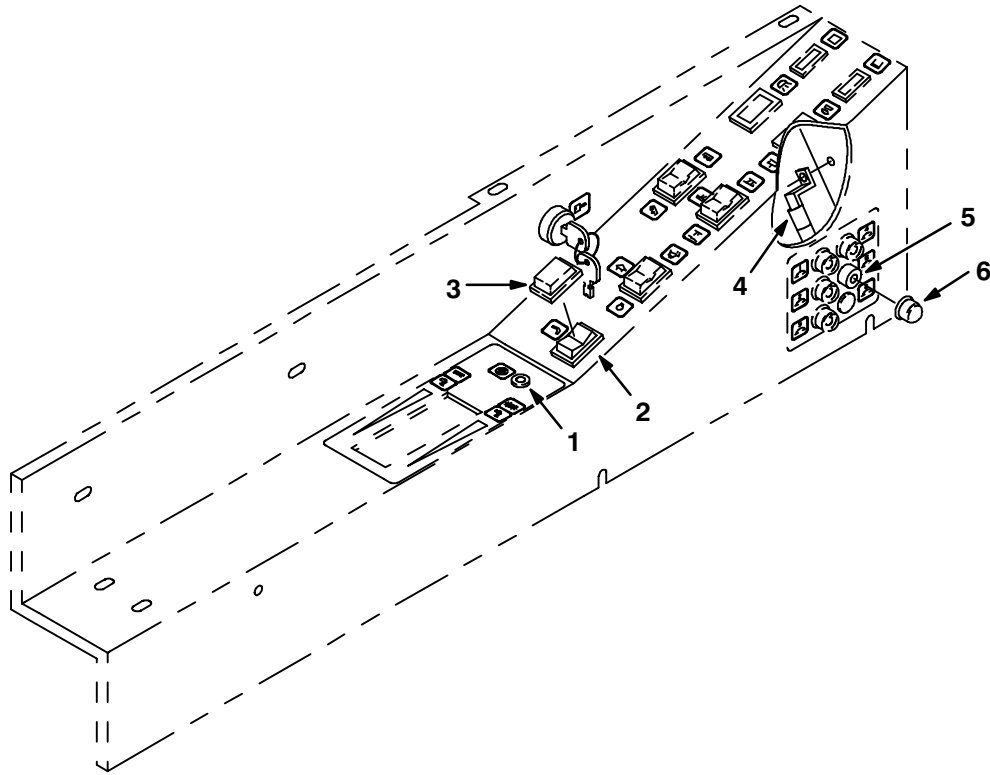


Fig. 3 – Instrument Panel Group, SRS®

04933

Key	TENNANT Part No.	Machine Serial Number	Description	Qty.
1	34820	(030000–)	Lamp, Indicator	1
2	65553	(030000–)	Switch, Rocker, DPDT	1
3	57807	(030000–)	Cover, Rocker Switch	1
4	57163	(030000–)	Resistor, 6 Ohm	1
5	57803	(030000–)	Breaker, Circuit, 15 A	1
6	57751	(030000–)	Boot, Circuit Breaker	1

SECTION 9

CONTENTS

	Page
ORDERING REPAIR PARTS	9-3
Fig. 1 – Flashing Light Kit	9-4
Fig. 2 – Revolving Light Kit	9-5
Fig. 3 – Headlight and Taillight Kit	9-6
Fig. 4 – Side Guard Group	9-7
Fig. 5 – Fuel Gauge Kit	9-8
Fig. 6 – Protectoseal Fuel Tank Cap Kit	9-8
Fig. 7 – Level Sensing Plug Group	9-9
Fig. 8 – Vent Plug Kit, SRS®	9-9
Fig. 9 – Solution Tank Drain Kit	9-10
Fig. 10 – Fire Extinguisher Kit	9-10
Fig. 11 – Seat Belt Kit	9-11
Fig. 12 – Demo Kit	9-11
Fig. 13 – Vacuum Wand Kit	9-12
Fig. 14 – LPG Fuel Tanks Group	9-13
Fig. 15 – Side Brush Lift Group	9-14
Fig. 16 – Side Brush Pivot Group	9-16
Fig. 17 – Side Brush Water Valve Group	9-17
Fig. 18 – Side Brush Solution Pump Group ...	9-18
Fig. 19 – Side Brush Solution Restrictor and Fitting Group, SRS®	9-19
Fig. 20 – Side Brush Hydraulic Hose Group ...	9-20
Fig. 21 – Side Brush Solenoid Valve Group ...	9-22
Fig. 22 – Side Brush Switch Group	9-23
Fig. 23 – Urethane Squeegee Blade Group ...	9-24

NOTE: SECTION 9, OPTIONS, lists repair parts included as part of the available options.

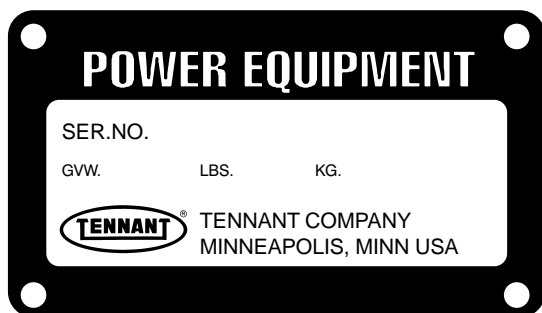
ORDERING REPAIR PARTS

The components used in this machine have been carefully selected for performance and safety. Use only Tennant Company specified or equivalent parts.

To receive prompt service in filling of your parts orders, please direct all orders for parts with Tennant Company part numbers to the Tennant Company, and all orders for parts with vendor part numbers to the local supplier of the respective vendor.

When ordering parts, please furnish all of the following information:

1. Machine model number - shown on the machine data plate.



2. Machine serial number - shown on the machine data plate.
3. Power source - gasoline, LPG, diesel, electric.
4. Company name.
5. Shipping address.
6. Billing address.
7. Name, first and last - of person ordering parts.
8. Telephone number.
9. Purchase order number.
10. Part number, description, and quantity - of each item on the order.
11. Customer ID Number.

Do not order parts by key number or the figure number of the illustrated parts. Indented items indicate parts of assemblies. Standard hardware is furnished only when part of a purchased assembly. Please get hardware from a local hardware supplier.

If the old part cannot be identified, send it to us with the quantity needed specified on the order.

Any claim for loss or damage to a shipment in transit should be filed promptly against the transportation company making the delivery. Shipments will be complete unless the packing list or order acknowledgement indicate items back ordered.

If parts received are suspected to be incorrect or defective, please write, wire, or phone the Tennant Company representative from whom you ordered the part. They will give authorization for return and/or handle replacement shipments when required.

SERIAL NUMBER INFORMATION EXPLANATION

Serial number listings are shown to indicate on which machines each part can be used. These listings are explained by the following examples:

(000000-) The part can be used on all machines.

(003342-) The part can be used on all machines beginning with the serial number listed.

(000000-004320) The part can be used on all machines up to and including serial number listed.

(004321-005678) The part can be used on all machines between and including the serial numbers listed.

Where xxxxxx's are listed in place of a serial number, it indicates a change was made but the exact serial number had not been established when the catalog went to press.

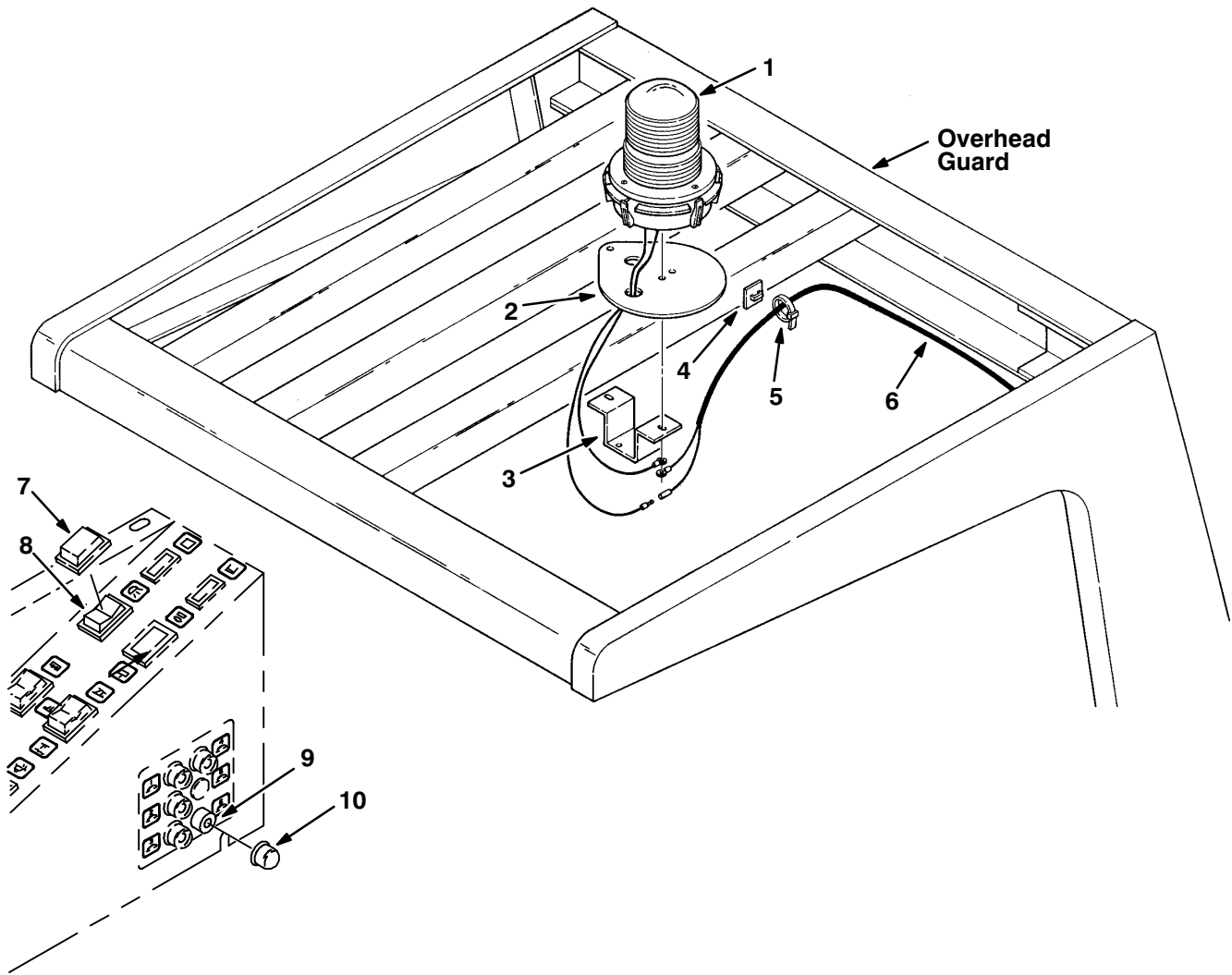
SI UNITS OF MEASURE (INTERNATIONAL SYSTEM)

Metric equivalents have been included, where applicable, throughout this parts catalog.

FASTENER STRENGTH IDENTIFICATION

Fasteners required to have high-strength qualities equivalent to SAE Grade 8 are identified throughout this catalog by the description GR 8. Unless identified by this description, all standard fasteners are SAE Grade 5.

(Specifications and design subject to change without notice.)



04944

Fig. 1 – Flashing Light Kit

Key	TENNANT Part No.	Machine Serial Number	Description	Qty.
1	19483	(030000–)	Light Kit, Amber Flashing	1
	82063	(030000–)	Light, Flashing, Amber	1
	45779	(030000–)	Bulb	1
2	58520	(030000–)	Lens, Flashing Light, Amber	1
	57220	(030000–)	Plate, Light Mounting	1
	3	57218	(030000–)	Bracket, Light Mounting
4	55248	(030000–)	Mount, Cable Tie	6
5	49266	(030000–)	Tie, Cable	8
6	19468	(030000–)	Wire Harness, Overhead Guard	1
6	19467	(030000–)	Wire Harness, Tank	1
7	57807	(030000–)	Cover, Rocker Switch	1
8	65561	(030000–)	Switch, Rocker, SPST	1
9	57803	(030000–)	Breaker, Circuit, 15 A	1
10	57751	(030000–)	Boot, Circuit Breaker	1
	58519	(030000–)	Lens, Flashing Light, Blue	1
	58518	(030000–)	Lens, Flashing Light, Red	1

NOTE: To identify parts shown but not listed here, see Section 5, Standard Model Parts.

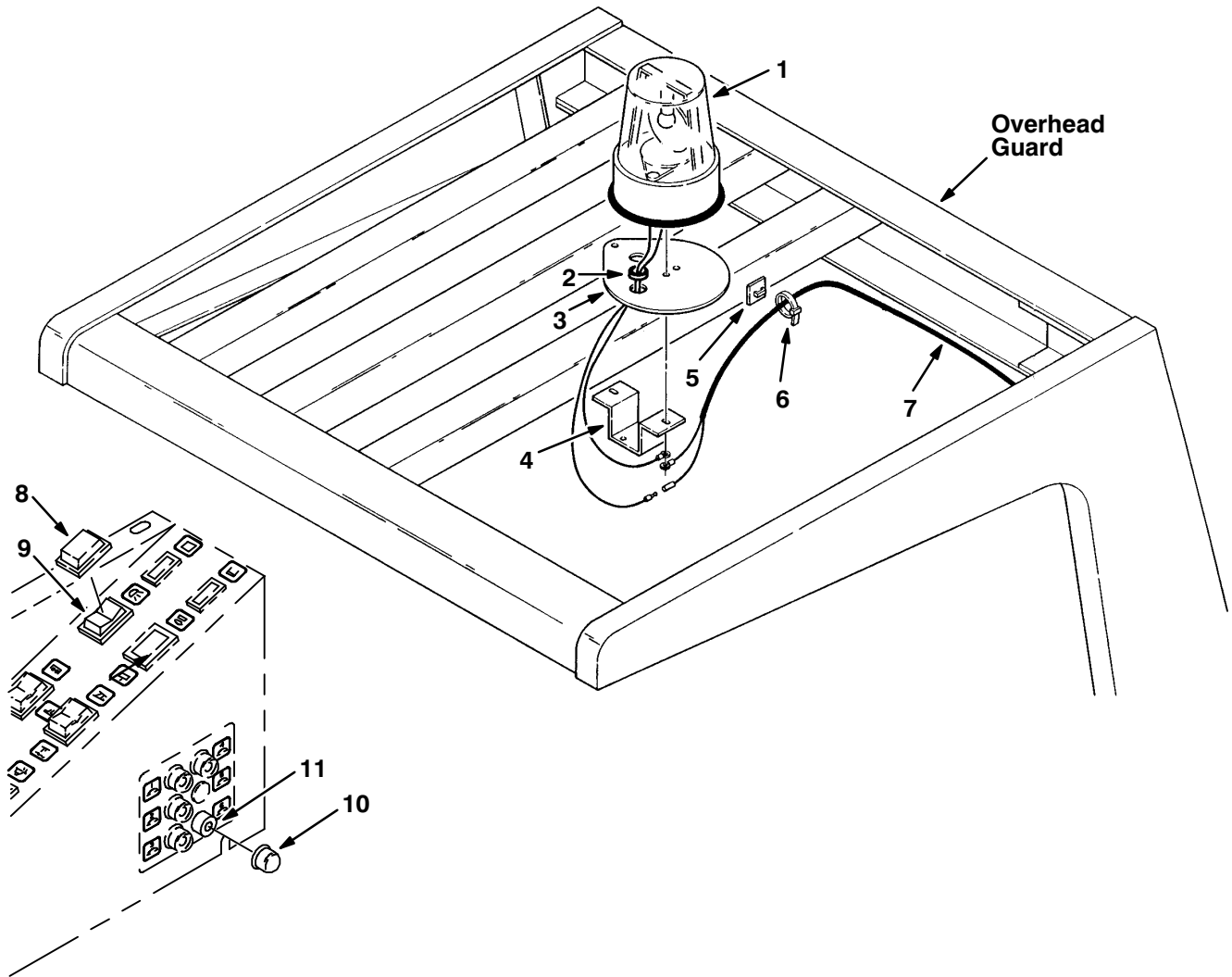


Fig. 2 – Revolving Light Kit

04946

Key	TENNANT Part No.	Machine Serial Number	Description	Qty.
1	19473	(030000–)	Light Kit, Amber Revolving	1
	82200	(030000–)	Light, Revolving, Amber	1
	45779	(030000–)	Bulb	1
	44681–1	(030000–)	Lens, Revolving Light, Amber	1
2	10632–9	(030000–)	Grommet, Rubber	1
				1
3	57220	(030000–)	Plate, Light Mounting	1
4	57218	(030000–)	Bracket, Light Mounting	1
5	55248	(030000–)	Mount, Cable Tie	6
6	49266	(030000–)	Tie, Cable	8
7	19468	(030000–)	Wire Harness, Overhead Guard	1
7	19467	(030000–)	Wire Harness, Tank	1
8	57807	(030000–)	Cover, Rocker Switch	1
9	65561	(030000–)	Switch, Rocker, SPST	1
10	57751	(030000–)	Boot, Circuit Breaker	1
11	57803	(030000–)	Breaker, Circuit, 15 A	1
	44681–2	(030000–)	Lens, Revolving Light, Blue	1
	44681	(030000–)	Lens, Revolving Light, Red	1

NOTE: To identify parts shown but not listed here, see Section 5, Standard Model Parts.

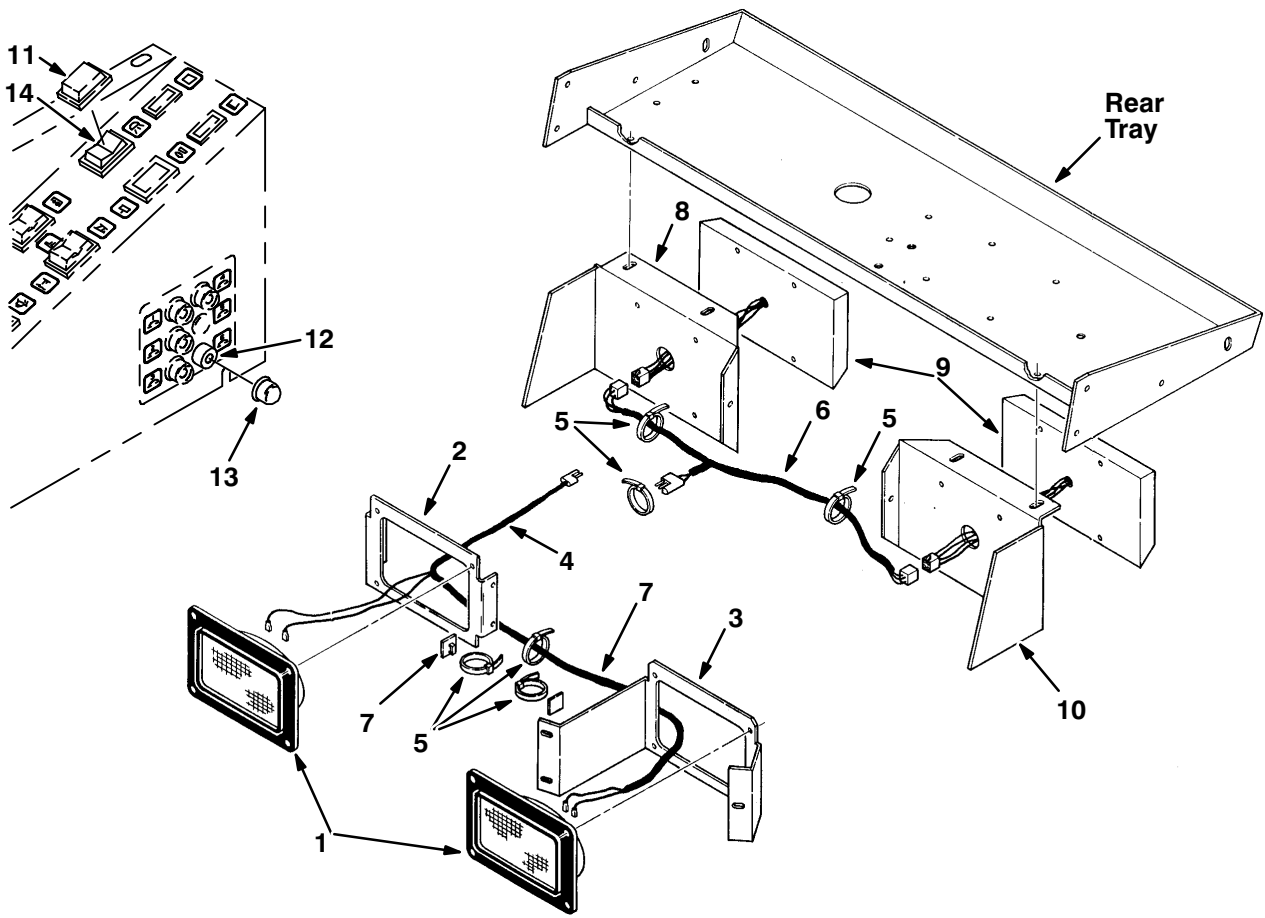


Fig. 3 – Headlight and Taillight Kit

04941

Key	TENNANT Part No.	Machine Serial Number	Description	Qty.
	19471	(030000–)	Headlight and Taillight Kit	1
1	58524	(030000–)	Headlight	2
2	19491	(030000–)	Bracket, Headlight Mounting, R.H.	1
3	57214	(030000–)	Bracket, Headlight Mounting, L.H.	1
4	19465	(030000–)	Harness, Headlight	1
5	49266	(030000–)	Tie, Cable	7
6	19466	(030000–)	Harness, Taillight	1
7	55248	(030000–)	Mount, Cable Tie	2
8	64105-1	(030000–)	Bracket, Taillight, R.H.	1
9	64832	(030000–)	Taillight Assembly	2
	45779	(030000–)	Bulb	1
	45780	(030000–)	Bulb	1
10	64105	(030000–)	Bracket, Taillight, L.H.	1
11	57807	(030000–)	Cover, Rocker Switch	1
12	57803	(030000–)	Breaker, Circuit, 15 A	1
13	57751	(030000–)	Boot, Circuit Breaker	1
14	65561	(030000–)	Switch, Rocker, SPST	1

NOTE: To identify parts shown but not listed here, see Section 5, Standard Model Parts.

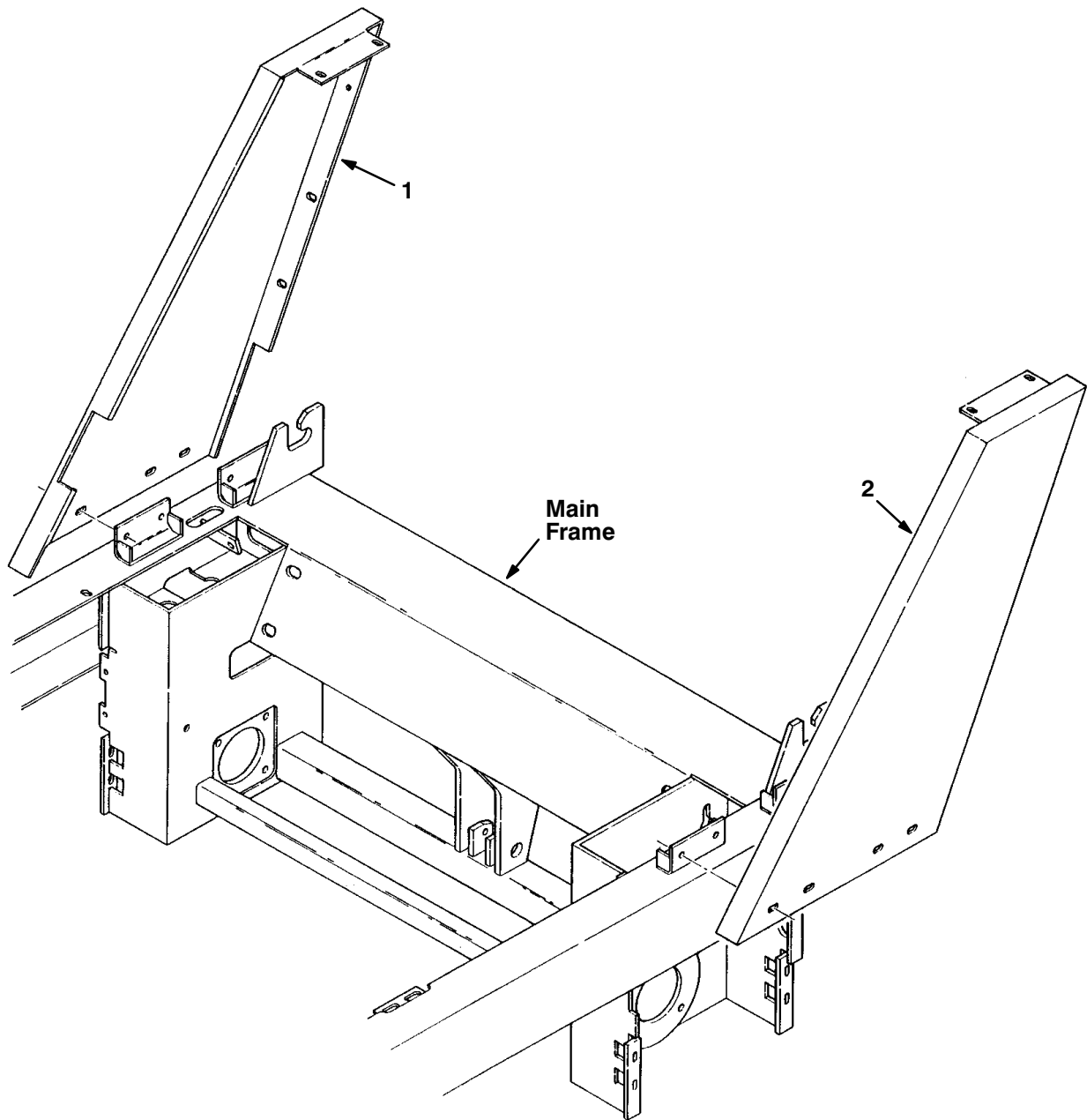


Fig. 4 – Side Guard Group

04978

Key	TENNANT Part No.	Machine Serial Number	Description	Qty.
1	57242	(030000–)	Guard, R.H.	1
2	57307	(030000–)	Guard, L.H.	1

NOTE: To identify parts shown but not listed here, see Section 5, Standard Model Parts.

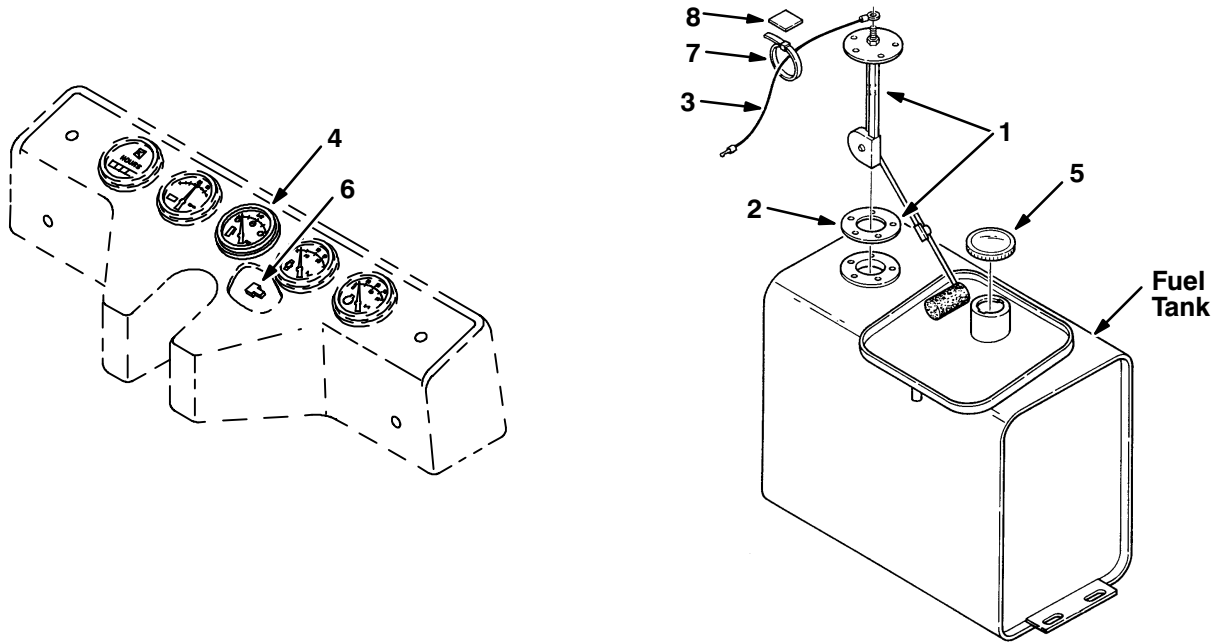


Fig. 5 – Fuel Gauge Kit

04967

Key	TENNANT Part No.	Machine Serial Number	Description	Qty.
	19478	(030000–030343)	Gauge Kit, Fuel	1
1	07874	(030000–030343)	Sending Unit	1
2	14131	(030000–030343)	Gasket	1
3	57142	(030000–030343)	Wire Harness, Fuel Sender	1
4	34813	(030000–030343)	Gauge, Fuel	1
5	48267	(030000–030343)	Cap, Fuel Tank	1
6	68106	(030000–030343)	Tab, Terminal	2
7	49266	(030000–030343)	Tie, Cable	2
8	55248	(030000–030343)	Mount, Cable Tie	2

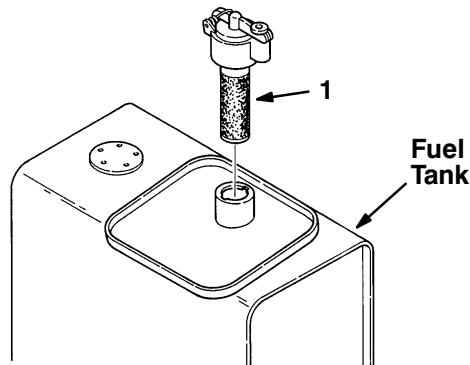


Fig. 6 – Protectoseal Fuel Tank Cap Kit

04968

Key	TENNANT Part No.	Machine Serial Number	Description	Qty.
1	02506–6	(030000–)	Cap, Protectoseal Tank	1

NOTE: To identify parts shown but not listed here, see Section 5, Standard Model Parts.

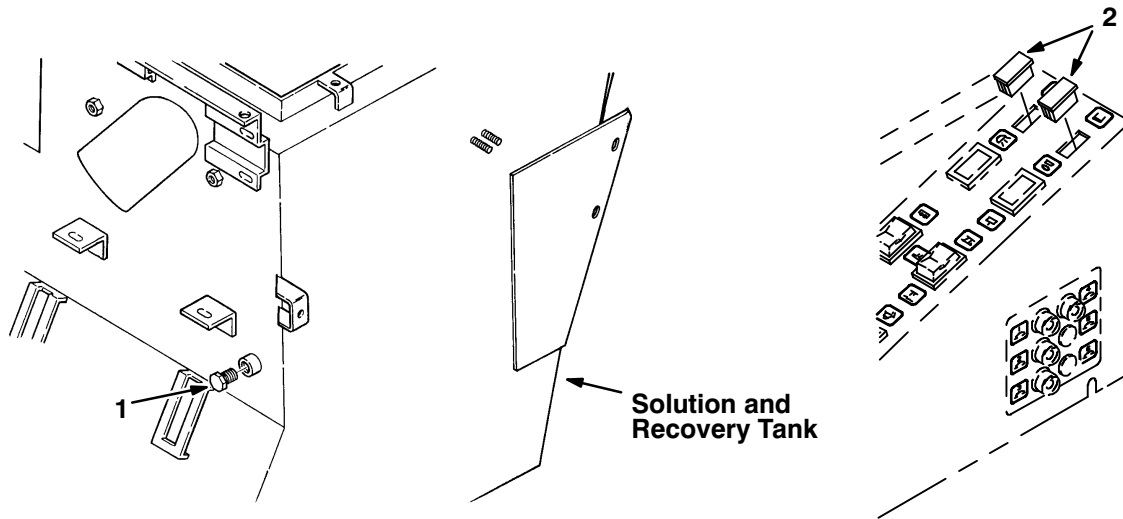


Fig. 7 – Level Sensing Plug Group

04971

Key	TENNANT Part No.	Machine Serial Number	Description	Qty.
1	42153A	(030000–)	Fitting, Plug	2
2	79660	(030000–)	Plugbutton	2

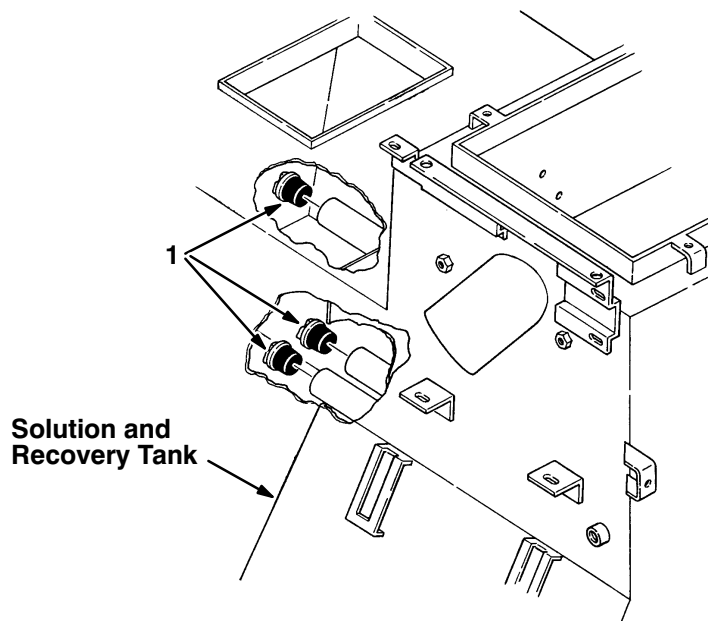


Fig. 8 – Vent Plug Kit, SRS®

04972

Key	TENNANT Part No.	Machine Serial Number	Description	Qty.
1	69539	(030000–)	Vent Plug Kit, SRS®	1
	25460	(030000–)	Plug	3

NOTE: To identify parts shown but not listed here, see Section 5, Standard Model Parts, or Section 8, SRS® Parts.

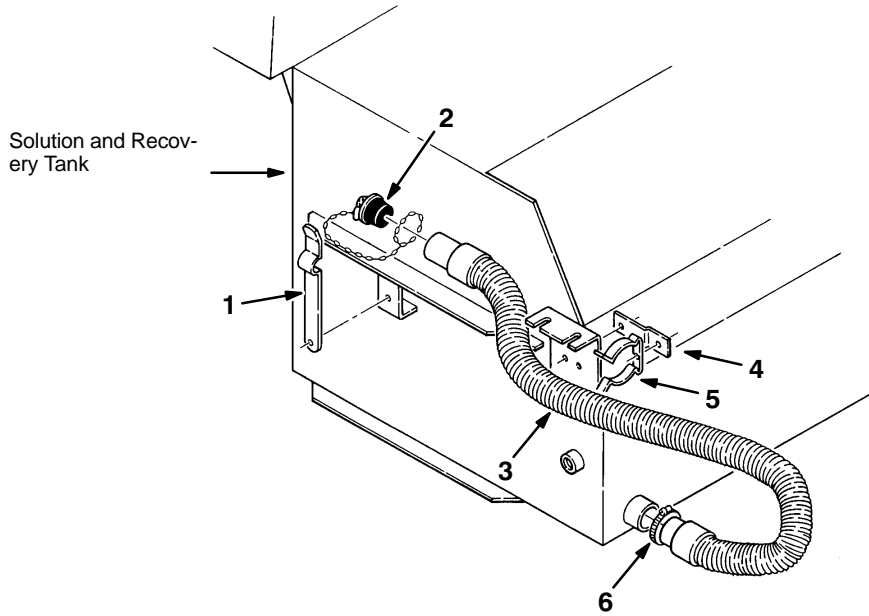


Fig. 9 – Solution Tank Drain Kit

04973

Key	TENNANT Part No.	Machine Serial Number	Description	Qty.
	69443	(030000–)	Drain Kit, Solution Tank	1
1	64814	(030000–)	Spring, Drain Hose	1
2	56505	(030000–)	Stopper Assembly	1
3	57482	(030000–)	Hose Assembly, Drain	1
4	69612	(030000–)	Bracket, Hose Clamp Mounting	1
5	22473	(030000–)	Clip, Finger Grip	1
6	11531	(030000–)	Clamp, Worm Drive	1

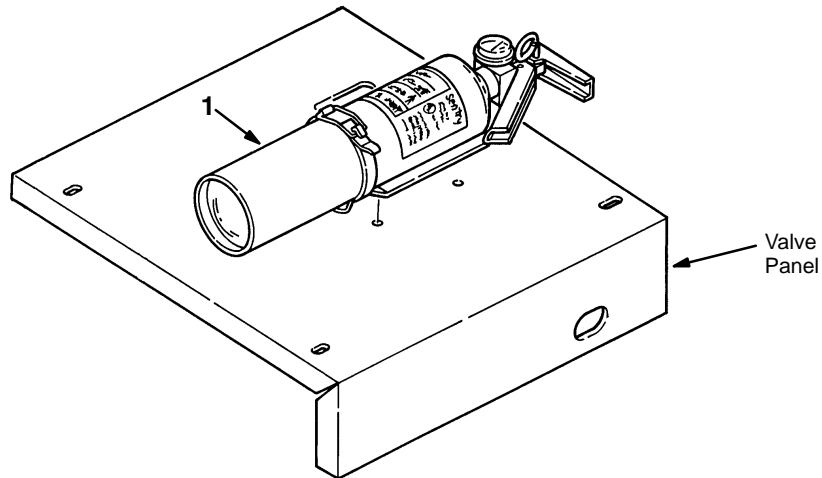


Fig. 10 – Fire Extinguisher Kit

04974

Key	TENNANT Part No.	Machine Serial Number	Description	Qty.
	69772	(030000–)	Fire Extinguisher Kit	1
1	25312	(030000–)	Extinguisher, Fire	1

NOTE: To identify parts shown but not listed here, see Section 5, Standard Model Parts.

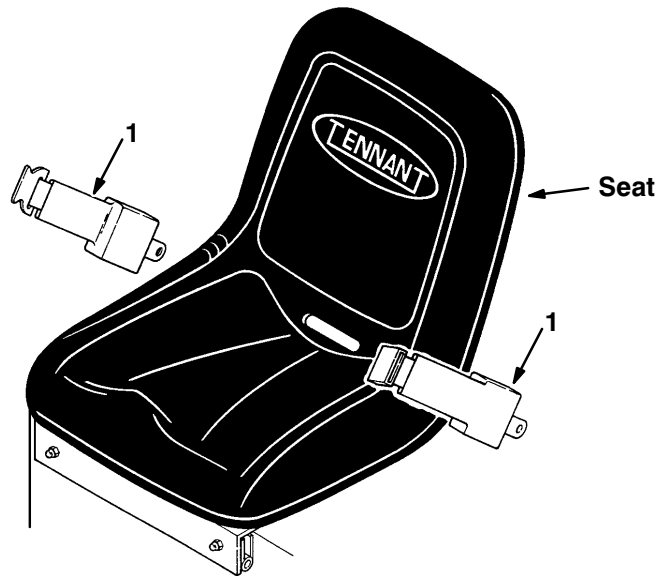


Fig. 11 – Seat Belt Kit

04975

Key	TENNANT Part No.	Machine Serial Number	Description	Qty.
	69770	(030000–)	Seat Belt Kit	1
1	68346	(030000–)	Belt, Seat	1

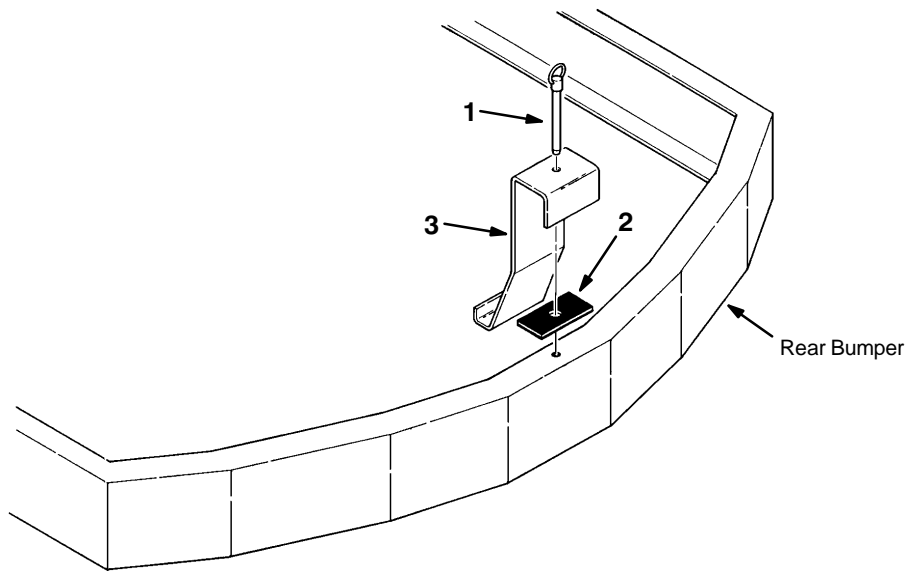


Fig. 12 – Demo Kit

04976

Key	TENNANT Part No.	Machine Serial Number	Description	Qty.
	64861	(030000–)	Demo Kit	1
1	63174	(030000–)	Pin, Pivot	1
2	64865	(030000–)	Strip, Bumper	1
3	64862	(030000–)	Bracket, Scrub Head Support	1

NOTE: To identify parts shown but not listed here, see Section 5, Standard Model Parts.

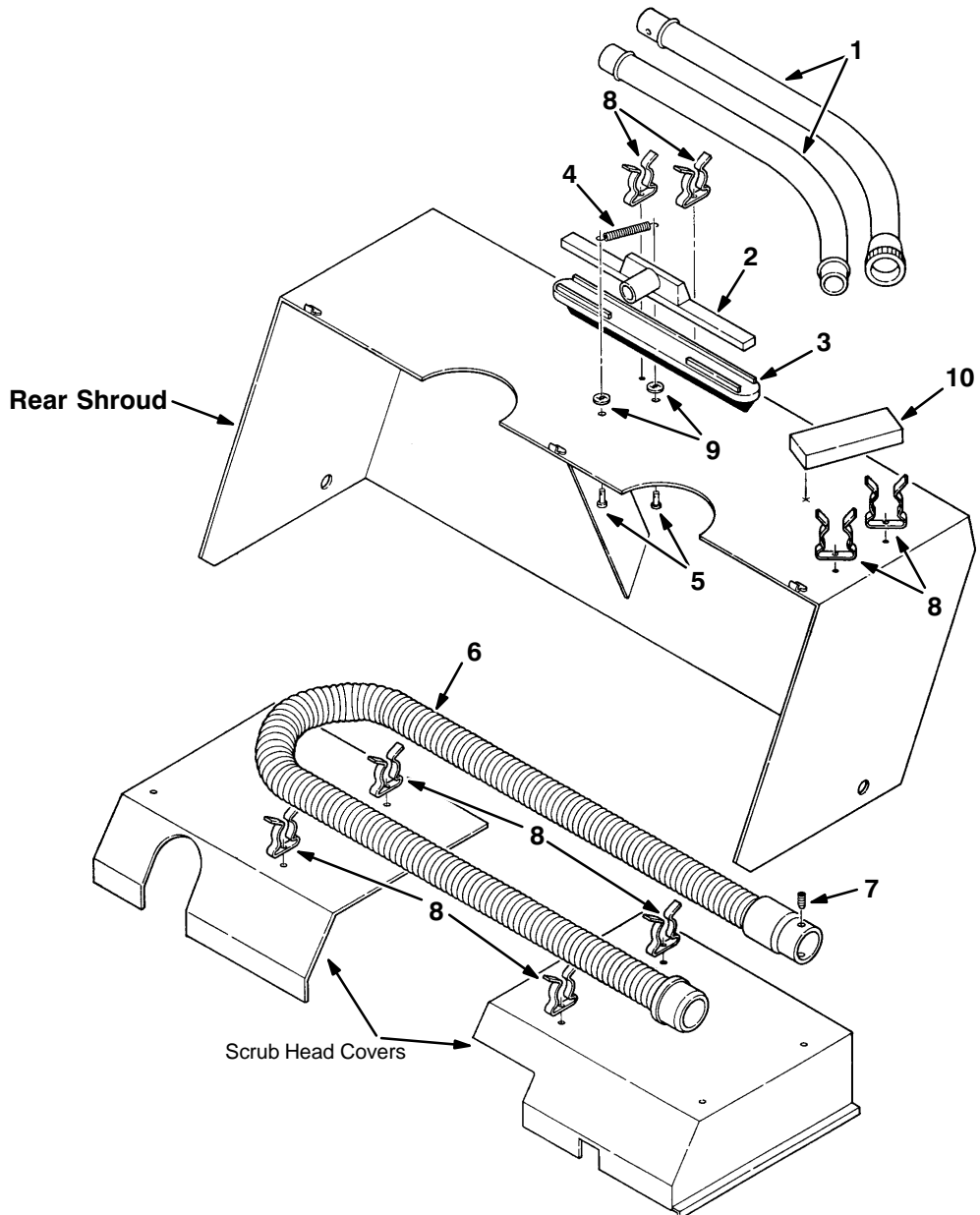


Fig. 13 – Vacuum Wand Kit

04979

Key	TENNANT Part No.	Machine Serial Number	Description	Qty.
	57338	(030000–)	Wand Kit, Vacuum	1
1	63448	(030000–)	Wand, Metal	1
2	63451	(030000–)	Nozzle, Wand	1
3	63430	(030000–)	Shoe, Squeegee	1
4	50304	(030000–)	Spring, Extension	1
5	10120	(030000–)	Pin, Clevis	2
6	69657	(030000–)	Hose Assembly	1
7	69659	(030000–)	Plunger, Spring	1
8	67004	(030000–)	Clip, Finger Grip	8
9	57429	(030000–)	Nut, Push On	2
10	57422	(030000–)	Pad	1

NOTE: To identify parts shown but not listed here, see Section 5, Standard Model Parts.

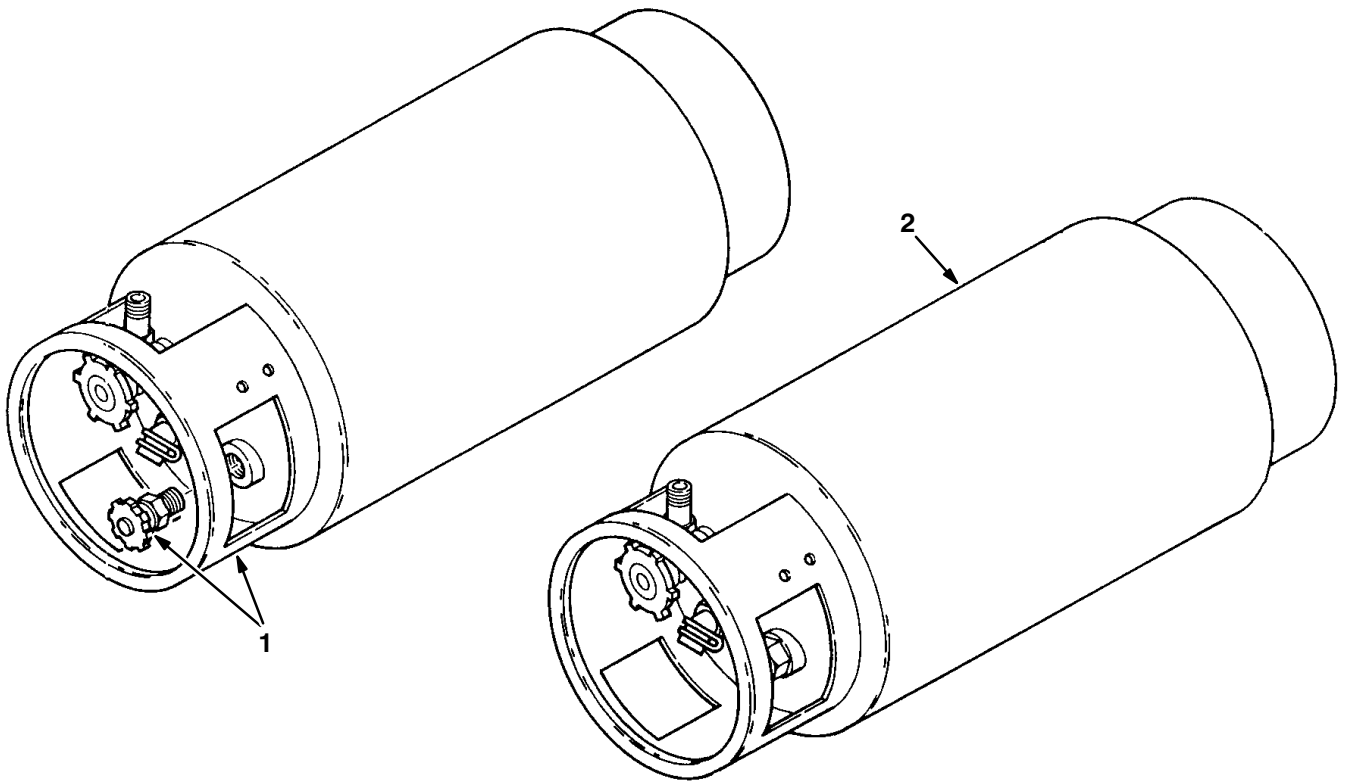


Fig. 14 – LPG Fuel Tanks Group

04938

Key	TENNANT Part No.	Machine Serial Number	Description	Qty.
1	24928-1	(030000-)	Tank, LPG, with Filler Valve	1
2	24928	(030000-)	Tank, LPG	1

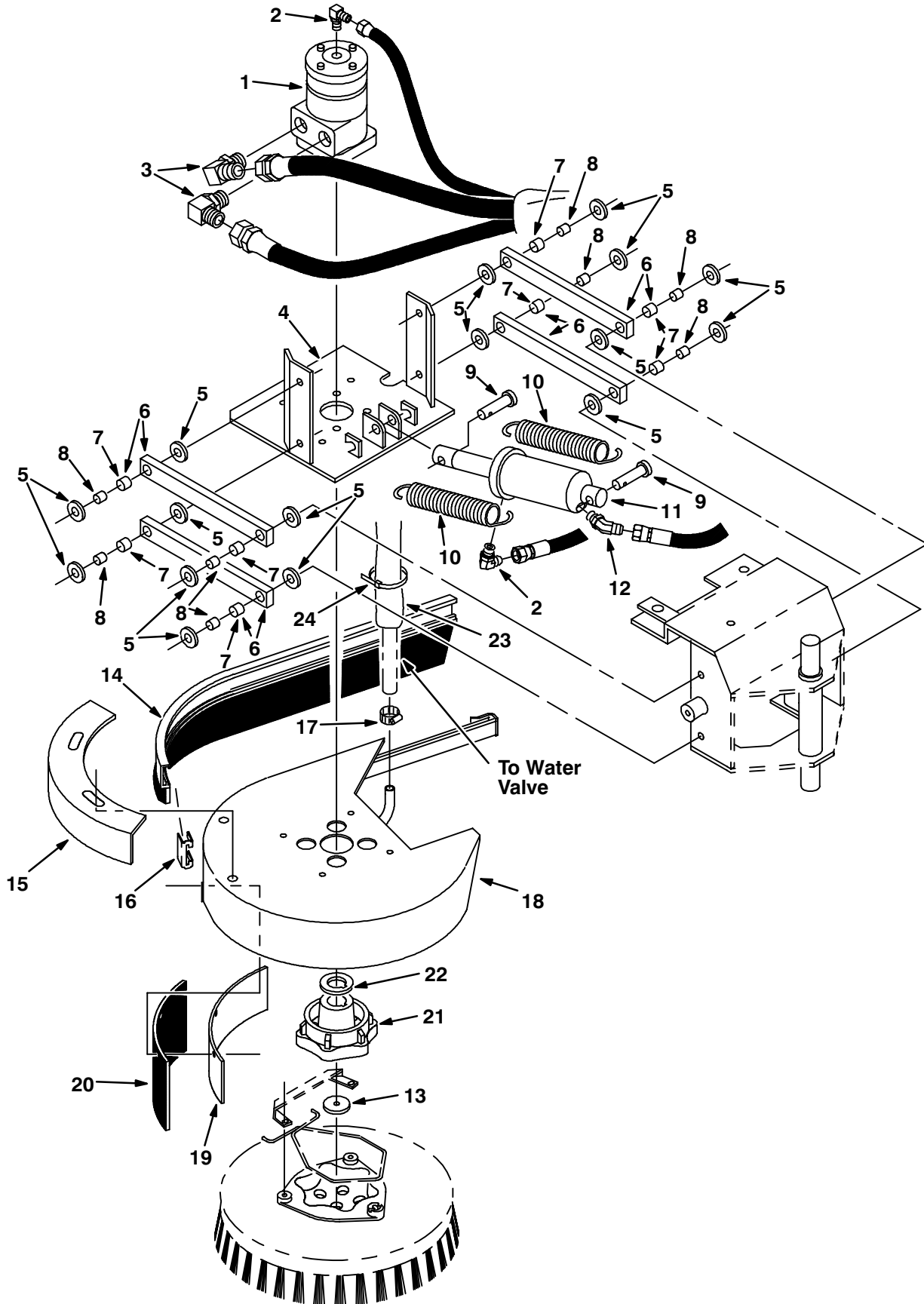
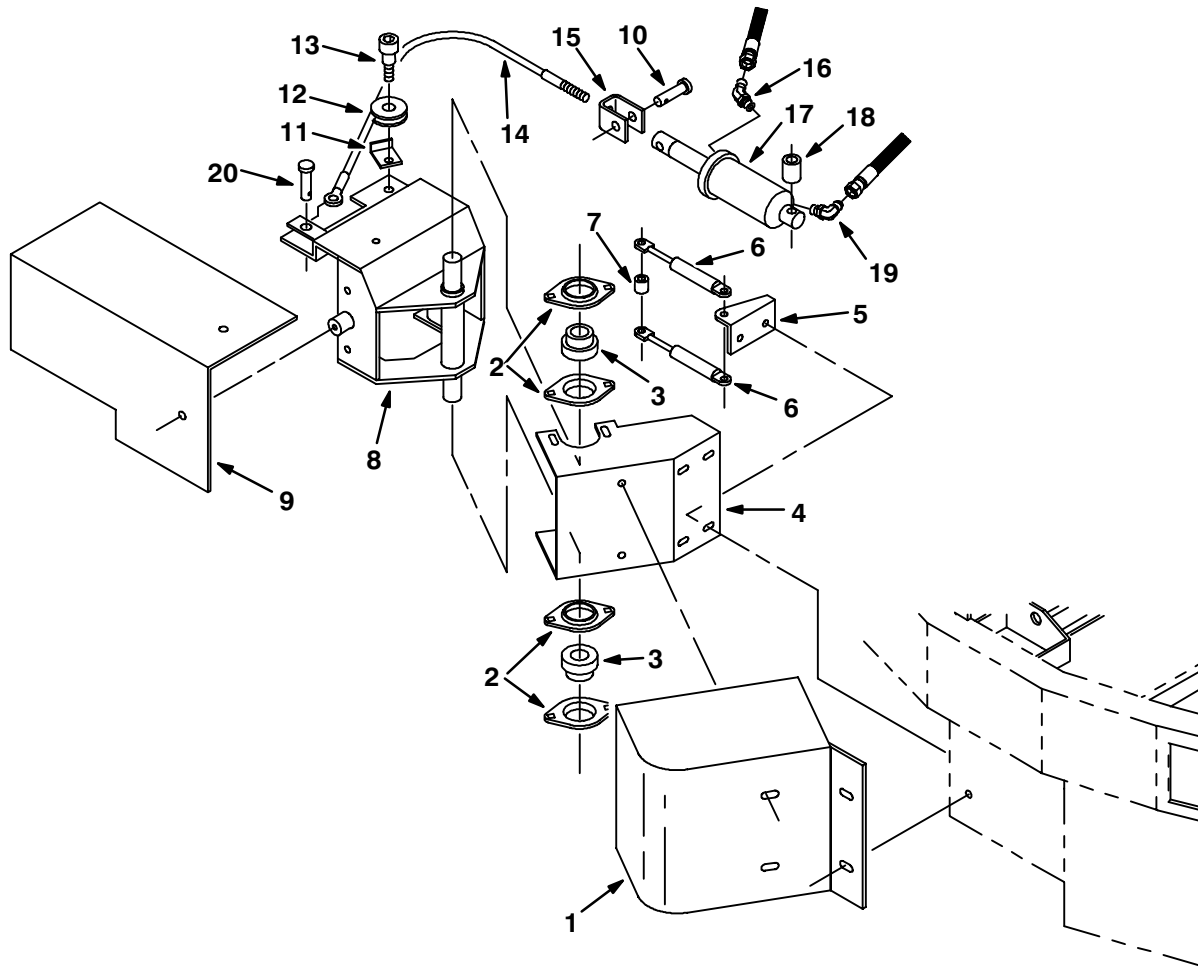


Fig. 15 – Side Brush Lift Group

Fig. 15 – Side Brush Lift Group

*NOTE: Standard Side Brush Kit, TENNANT Part Number 19755, includes Fig. 15, 16, 17, 18, 20, 21, and 22.
SRS® Side Brush Kit, TENNANT Part Number 19742, includes Fig. 15, 16, 17, 19, 20, 21, and 22.*

Key	TENNANT Part No.	Machine Serial Number	Description	Qty.
1	19349	(030000–)	Motor, Hydraulic (See Hydraulic Components)	1
2	77097	(030000–)	Fitting, Elbow	2
3	56821	(030000–)	Fitting, Elbow	2
4	19182	(030000–)	Plate, Motor Mounting	1
5	59633	(030000–)	Bearing, Fiberglide Thrust	16
6	63175–1	(030000–)	Arm Assembly, Link	4
7	63233	(030000–)	Bearing, Fiberglide	2
8	63234	(030000–)	Sleeve, Bearing	8
9	51534	(030000–)	Pin, Clevis	2
10	33404	(030000–)	Spring, Tension	2
11	09624	(030000–)	Cylinder, Hydraulic	1
12	34359	(030000–)	Fitting, Elbow, 45°	1
13	19191	(030000–)	Spacer, Hub	1
14	86723	(030000–)	Squeegee Assembly, Side Brush	1
15	19707	(030000–)	Guard, Brush	1
16	86759	(030000–)	Retainer, Squeegee	1
17	54333	(030000–)	Clamp, Worm Drive	1
18	19238	(030000–)	Frame, Side Brush	1
19	12677	(030000–)	Retainer, Side Brush	1
20	12678	(030000–)	Skirt, Side Brush	1
21	15107	(030000–)	Hub, Brush Drive	1
22	25611	(030000–)	Spacer, Hub	1
23	82833	(030000–)	Sleeve, Nylon	1
24	49266	(030000–)	Tie, Cable	2



04671

Fig. 16 – Side Brush Pivot Group

*NOTE: Standard Side Brush Kit, TENNANT Part Number 19755, includes Fig. 15, 16, 17, 18, 20, 21, and 22.
SRS® Side Brush Kit, TENNANT Part Number 19742, includes Fig. 15, 16, 17, 19, 20, 21, and 22.*

Key	TENNANT Part No.	Machine Serial Number	Description	Qty.
1	19678	(030000–)	Bracket, Support	1
2	23222–2	(030000–)	Flange, Bearing	4
3	24835	(030000–)	Bearing and Collar	2
4	19190	(030000–)	Bracket, Side Brush Mounting	1
5	42395	(030000–)	Bracket, Gas Spring Mounting	1
6	65577	(030000–)	Spring, Gas	2
7	19569	(030000–)	Tube, Round	1
8	42397	(030000–)	Pivot, Side Brush	1
9	19677	(030000–)	Panel, Side Brush Shroud	1
10	51534	(030000–)	Pin, Clevis	1
11	57910	(030000–)	Angle, Cable Keeper	1
12	74391	(030000–)	Pulley Assembly, Cable	1
13	36758	(030000–)	Screw, Shoulder	1
14	19594	(030000–)	Cable, Pull-In	1
15	19680	(030000–)	Clevis	1
16	34359	(030000–)	Fitting, Elbow, 45°	1
17	09624	(030000–)	Cylinder, Hydraulic	1
18	19679	(030000–)	Spacer	1
19	77097	(030000–)	Fitting, Elbow	1
20	51529	(030000–)	Pin, Clevis	1

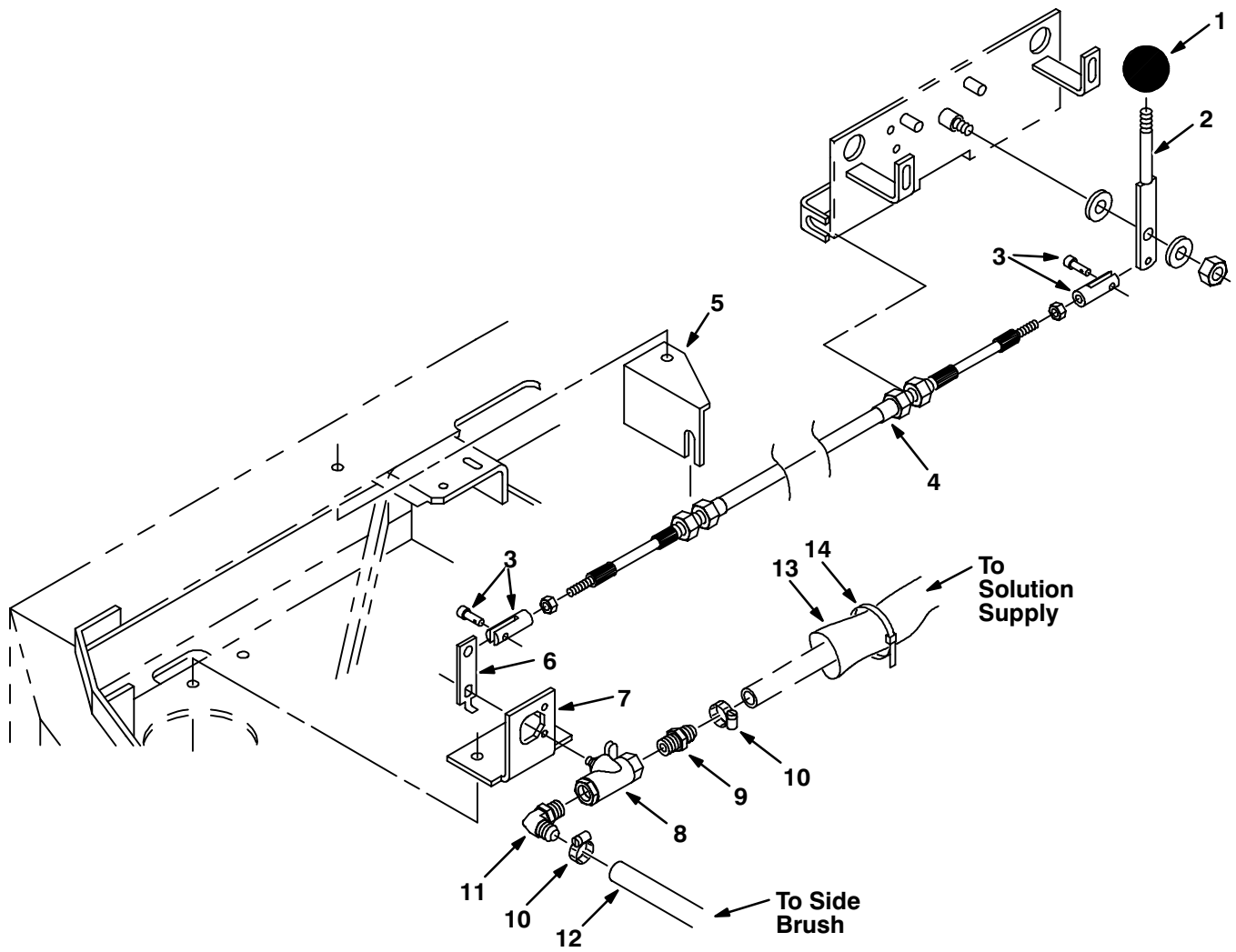


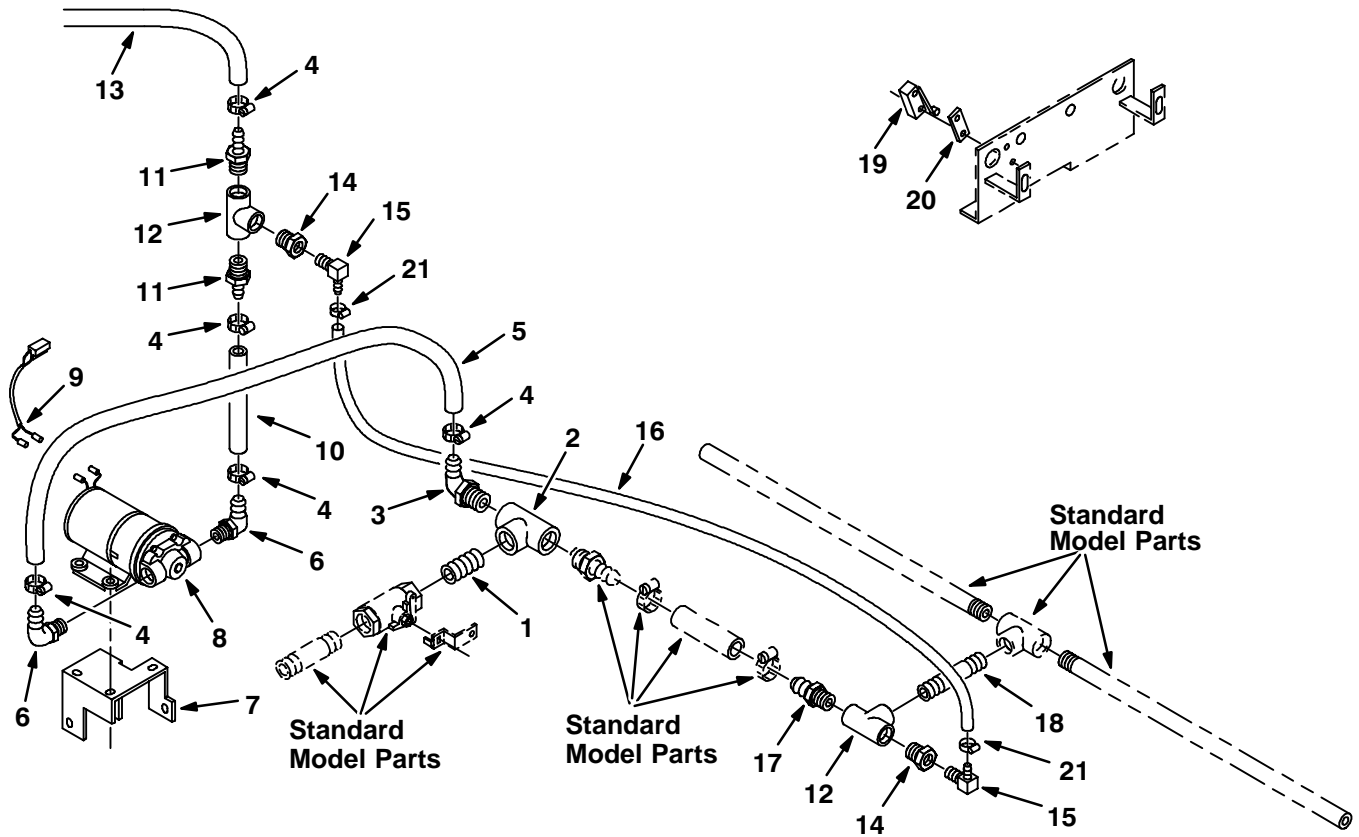
Fig. 17 – Side Brush Water Valve Group

04688

NOTE: Standard Side Brush Kit, TENNANT Part Number 19755, includes Fig. 15, 16, 17, 18, 20, 21, and 22.
 SRS® Side Brush Kit, TENNANT Part Number 19742, includes Fig. 15, 16, 17, 19, 20, 21, and 22.

Key	TENNANT Part No.	Machine Serial Number	Description	Qty.
1	26565	(030000–)	Knob	1
2	19673	(030000–)	Handle	1
3	27880	(030000–)	Yoke Assembly	2
4	14811	(030000–)	Cable, Control	1
5	19434	(030000–)	Bracket, Cable	1
6	19681	(030000–)	Lever, Water Valve	1
7	19201	(030000–)	Bracket, Water Valve Mounting	1
8	12083	(030000–)	Valve, Water	1
9	79273–4	(030000–)	Fitting, Barbed Coupling	1
10	54333	(030000–)	Clamp, Worm Drive	2
11	63244–1	(030000–)	Fitting, Barbed Elbow	1
12	25603	(030000–)	Hose, Clear	1
13	87677	(030000–)	Sleeve, Nylon	2
14	49263	(030000–)	Tie, Cable	1

OPTIONS



04980

Fig. 18 – Side Brush Solution Pump Group

NOTE: Standard Side Brush Kit, TENNANT Part Number 19755, includes Fig. 15, 16, 17, 18, 20, 21, and 22.

Key	TENNANT Part No.	Machine Serial Number	Description	Qty.
1	69784	(030000–)	Fitting, Nipple	1
2	42133A	(030000–)	Fitting, Tee	1
3	63244–3	(030000–)	Fitting, Barbed Elbow	1
4	54333	(030000–)	Clamp, Worm Drive	5
5	45487–2	(030000–)	Hose, Vinyl	1
6	64778	(030000–)	Fitting, Barbed Elbow	2
7	25597	(030000–)	Bracket, Pump Mounting	1
8	10915	(030000–)	Pump, Water (See Miscellaneous Components)	1
9	25602	(030000–)	Wire Assembly, Jumper	1
10	29601	(030000–)	Hose, Vinyl	1
11	79273–4	(030000–)	Fitting, Barbed Coupling	2
12	79497	(030000–)	Fitting, Tee	2
13	45487–5	(030000–)	Hose, Vinyl	1
14	47721	(030000–)	Fitting, Straight	2
15	08228	(030000–)	Fitting, Elbow	2
16	42779	(030000–)	Hose, Vinyl	1
17	78398	(030000–)	Fitting, Barbed Straight	1
18	25622	(030000–)	Fitting, Nipple	1
19	20625	(030000–)	Switch, Micro	1
20	69203	(030000–)	Strip	1
21	43844	(030000–)	Clamp, Worm Drive	2

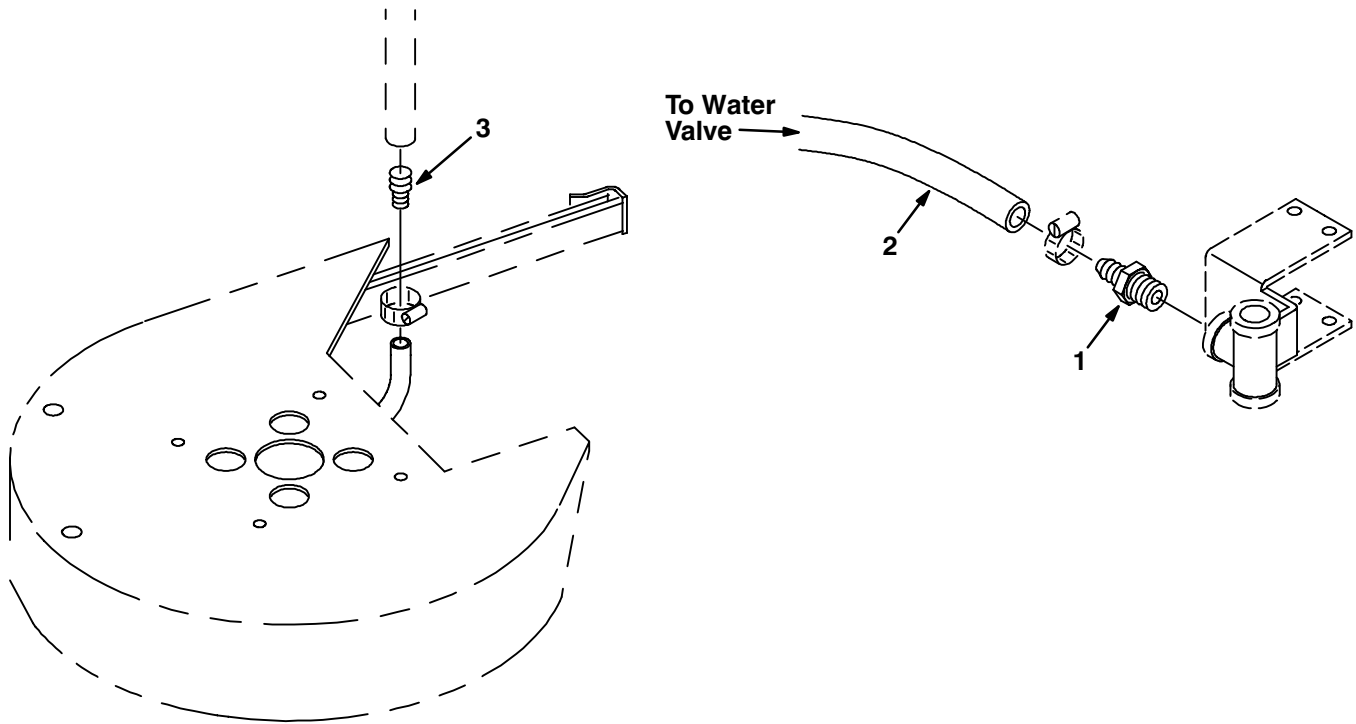


Fig. 19 – Side Brush Solution Restrictor and Fitting Group, SRS®

04981

NOTE: SRS® Side Brush Kit, TENNANT Part Number 19742, includes Fig, 15, 16, 17, 19, 20, 21, and 22.

Key	TENNANT Part No.	Machine Serial Number	Description	Qty.
1	79273-4	(030000-)	Fitting, Barbed Coupling	1
2	45487-5	(030000-)	Hose	1
3	25620	(030000-)	Restrictor	1

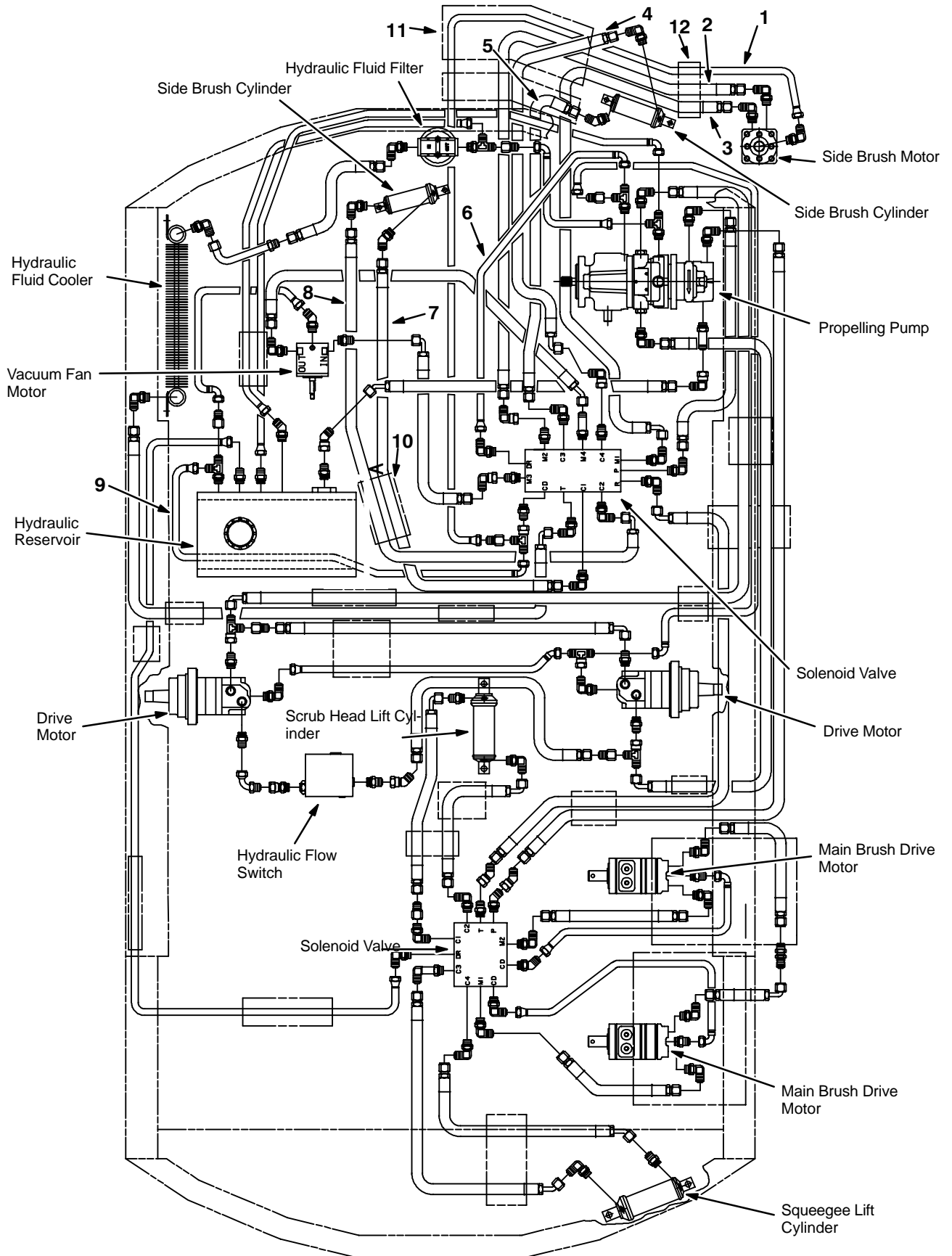


Fig. 20 – Side Brush Hydraulic Hose Group

NOTE: To identify parts shown but not listed here, see Section 5, Standard Model Parts.

Fig. 20 – Side Brush Hydraulic Hose Group

*NOTE: Standard Side Brush Kit, TENNANT Part Number 19755, includes Fig. 15, 16, 17, 18, 20, 21, and 22.
SRS® Side Brush Kit, TENNANT Part Number 19742, includes Fig, 15, 16, 17, 19, 20, 21, and 22.*

Key	TENNANT Part No.	Machine Serial Number	Description	Qty.
1	33810	(030000–)	Hose, Hydraulic	1
2	19753	(030000–)	Hose, Hydraulic	1
3	19637	(030000–)	Hose, Hydraulic	1
4	57581	(030000–)	Hose, Hydraulic	1
5	19634	(030000–)	Hose, Hydraulic	1
6	19650	(030000–)	Hose, Hydraulic	1
7	34380	(030000–)	Hose, Hydraulic	1
8	87681	(030000–)	Hose, Hydraulic	1
9	19653	(030000–)	Hose, Hydraulic	1
10	87677	(030000–)	Sleeve, Nylon	1
11	34330	(030000–)	Sleeve, Nylon	1
12	19659	(030000–)	Sleeve, Nylon	1

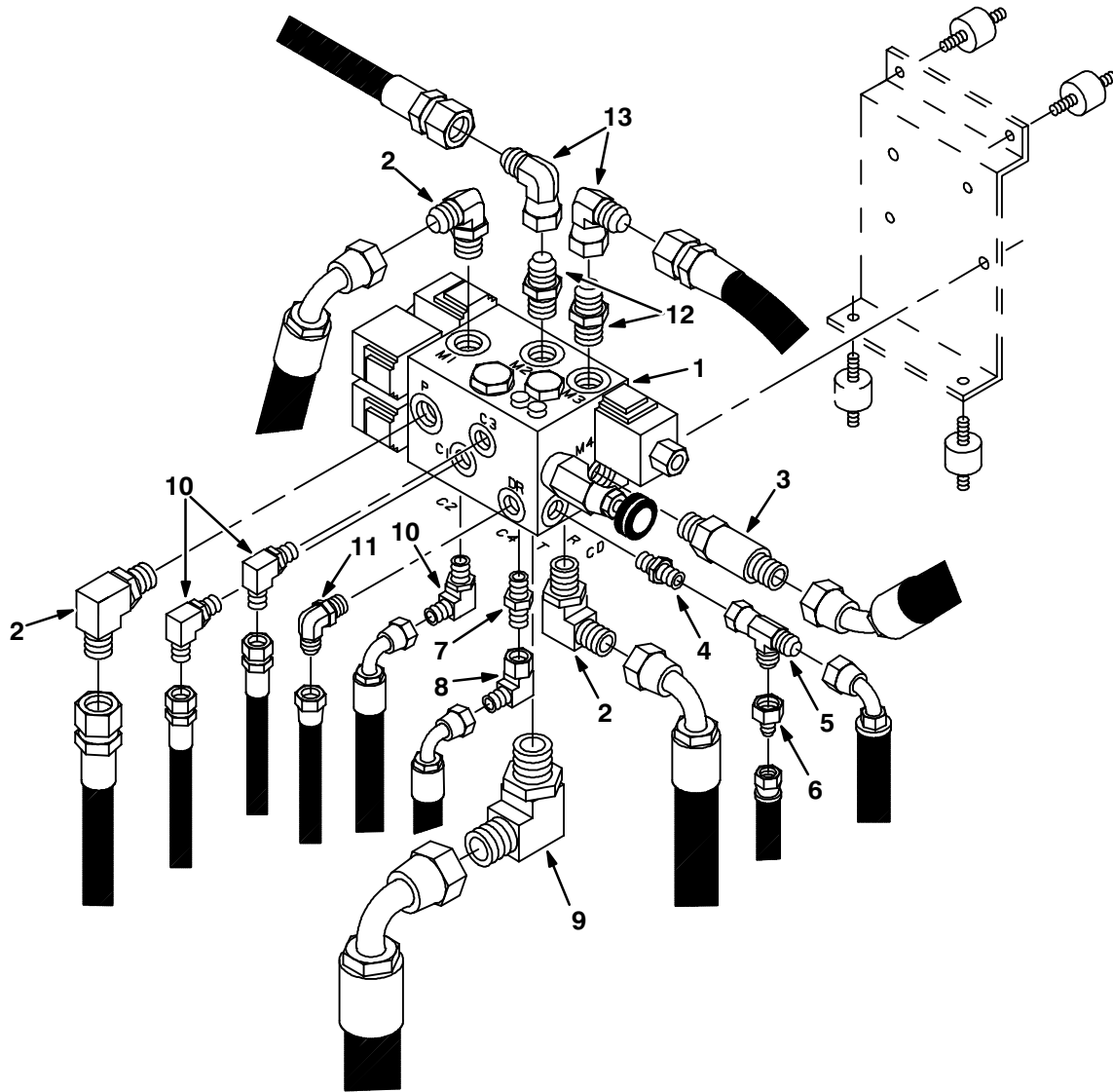
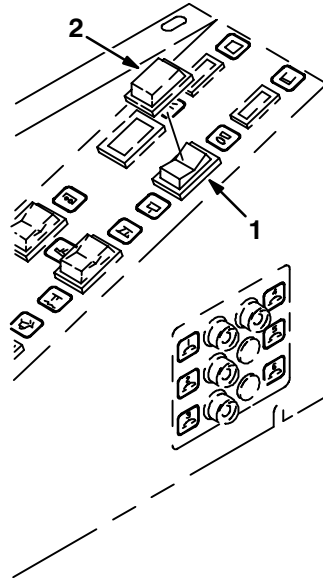


Fig. 21 – Side Brush Solenoid Valve Group

04674

*NOTE: Standard Side Brush Kit, TENNANT Part Number 19755, includes Fig. 15, 16, 17, 18, 20, 21, and 22.
SRS® Side Brush Kit, TENNANT Part Number 19742, includes Fig. 15, 16, 17, 19, 20, 21, and 22.*

Key	TENNANT Part No.	Machine Serial Number	Description	Qty.
1	19455	(030000–032042)	Valve, Solenoid (Replaced By 65377) (See Hydraulic Components)	1
1	65377	(032043–)	Valve, Solenoid (See Hydraulic Components)	1
2	44868	(030000–)	Fitting, Elbow	3
3	31605	(030000–)	Fitting, Straight	1
4	56690	(030000–)	Fitting, Straight	1
5	42215	(030000–)	Fitting, Tee	1
6	47752	(030000–)	Fitting, Straight	1
7	55586	(030000–)	Fitting, Straight	1
8	39210	(030000–)	Fitting, Elbow	1
9	46481	(030000–)	Fitting, Elbow	1
10	77097	(030000–)	Fitting, Elbow	3
11	56820	(030000–)	Fitting, Elbow	1
12	44869	(030000–)	Fitting, Straight	2
13	17980	(030000–)	Fitting, Elbow	2



04984

Fig. 22 – Side Brush Switch Group

*NOTE: Standard Side Brush Kit, TENNANT Part Number 19755, includes Fig. 15, 16, 17, 18, 20, 21, and 22.
SRS® Side Brush Kit, TENNANT Part Number 19742, includes Fig. 15, 16, 17, 19, 20, 21, and 22.*

Key	TENNANT Part No.	Machine Serial Number	Description	Qty.
1	65561	(030000–)	Switch, Rocker, SPST	1
2	57807	(030000–)	Cover, Rocker Switch	1

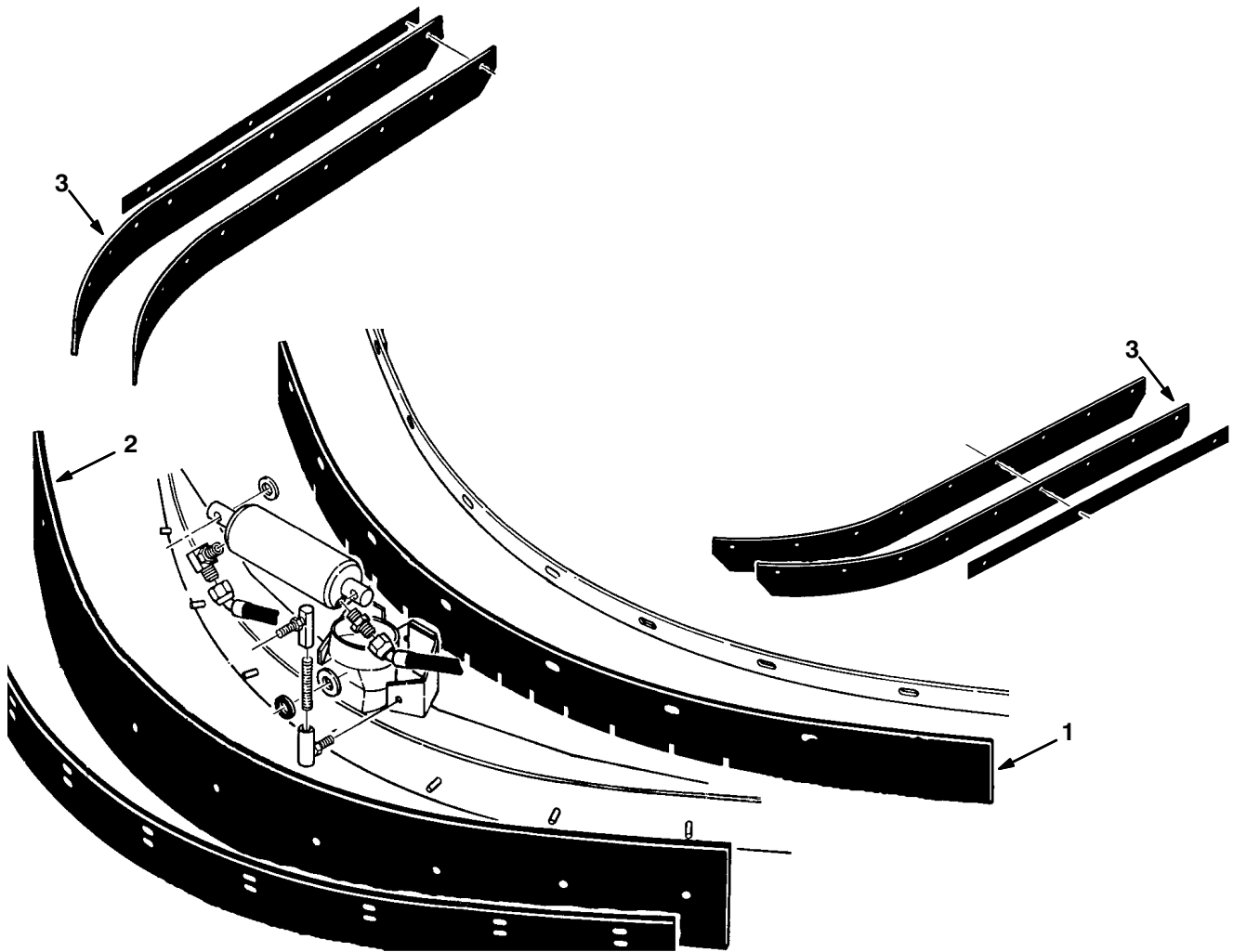


Fig. 23 – Urethane Squeegee Blade Group

10405/10406

Key	TENNANT Part No.	Machine Serial Number	Description	Qty.
1	78563	(030000–)	Blade, Front Squeegee, Urethane	1
2	78564	(030000–)	Blade, Rear Squeegee, Urethane	1
3	78565	(030000–)	Blade, Side Squeegee, Urethane	2

SECTION 10**CONTENTS**

	Page
ORDERING REPAIR PARTS	10-3
Fig. 1 – Solution Pump Breakdown, 03838	10-4
Fig. 2 – Solution Pump Breakdown, 33327	10-5
Fig. 3 – Solution Pump Breakdown, 16485	10-6
Fig. 4 – Water Pump Breakdown, 10915	10-7

NOTE: SECTION 10, MISCELLANEOUS COMPONENTS, *lists repair parts for repairable miscellaneous components.*

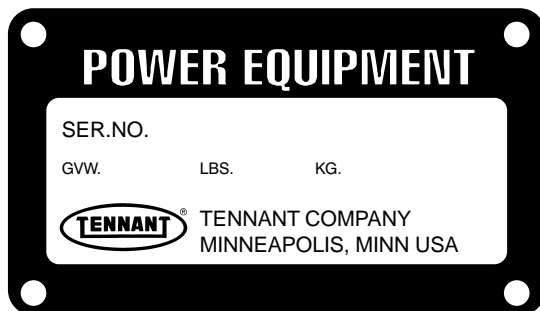
ORDERING REPAIR PARTS

The components used in this machine have been carefully selected for performance and safety. Use only Tennant Company specified or equivalent parts.

To receive prompt service in filling of your parts orders, please direct all orders for parts with Tennant Company part numbers to the Tennant Company, and all orders for parts with vendor part numbers to the local supplier of the respective vendor.

When ordering parts, please furnish all of the following information:

1. Machine model number - shown on the machine data plate.



2. Machine serial number - shown on the machine data plate.
3. Power source - gasoline, LPG, diesel, electric.
4. Company name.
5. Shipping address.
6. Billing address.
7. Name, first and last - of person ordering parts.
8. Telephone number.
9. Purchase order number.
10. Part number, description, and quantity - of each item on the order.
11. Customer ID Number.

Do not order parts by key number or the figure number of the illustrated parts. Indented items indicate parts of assemblies. Standard hardware is furnished only when part of a purchased assembly. Please get hardware from a local hardware supplier.

If the old part cannot be identified, send it to us with the quantity needed specified on the order.

Any claim for loss or damage to a shipment in transit should be filed promptly against the transportation company making the delivery. Shipments will be complete unless the packing list or order acknowledgement indicate items back ordered.

If parts received are suspected to be incorrect or defective, please write, wire, or phone the Tennant Company representative from whom you ordered the part. They will give authorization for return and/or handle replacement shipments when required.

SERIAL NUMBER INFORMATION EXPLANATION

Serial number listings are shown to indicate on which machines each part can be used. These listings are explained by the following examples:

(000000-) The part can be used on all machines.

(003342-) The part can be used on all machines beginning with the serial number listed.

(000000-004320) The part can be used on all machines up to and including serial number listed.

(004321-005678) The part can be used on all machines between and including the serial numbers listed.

Where xxxxxx's are listed in place of a serial number, it indicates a change was made but the exact serial number had not been established when the catalog went to press.

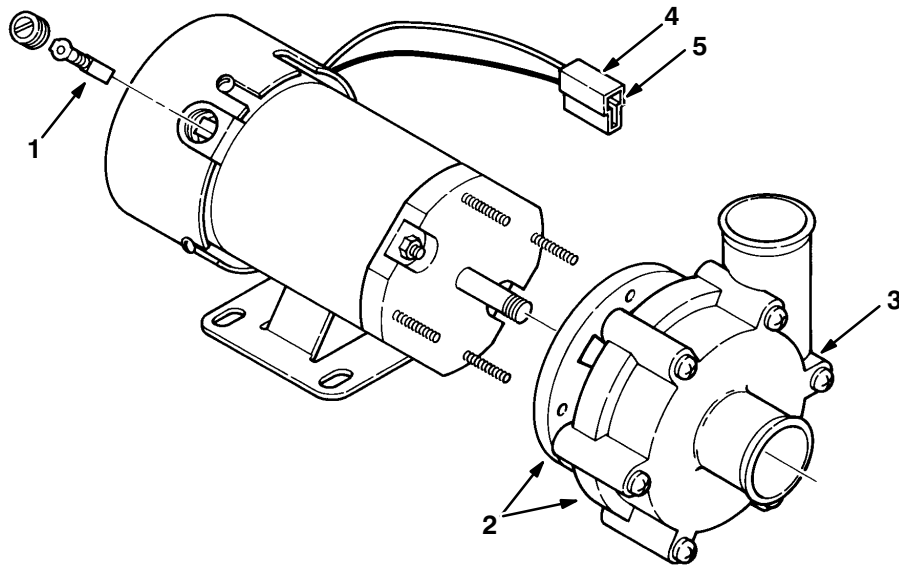
SI UNITS OF MEASURE (INTERNATIONAL SYSTEM)

Metric equivalents have been included, where applicable, throughout this parts catalog.

FASTENER STRENGTH IDENTIFICATION

Fasteners required to have high-strength qualities equivalent to SAE Grade 8 are identified throughout this catalog by the description GR 8. Unless identified by this description, all standard fasteners are SAE Grade 5.

(Specifications and design subject to change without notice.)



02824

Fig. 1 – Solution Pump Breakdown, 03838

Key	TENNANT Part No.	Manufacturer Serial Number	Description	Qty.
	03838	(000000–)	Pump Assembly, Solution	1
1	SK2498	(000000–)	Replacement Kit, Brush	1
2	03711	(000000–)	Replacement Kit, Pump Head	1
3	33308	(000000–)	Replacement Kit, Pump Body	1
4	51406	(000000–)	Connector	1
5	51416	(000000–)	Terminal, Male	2

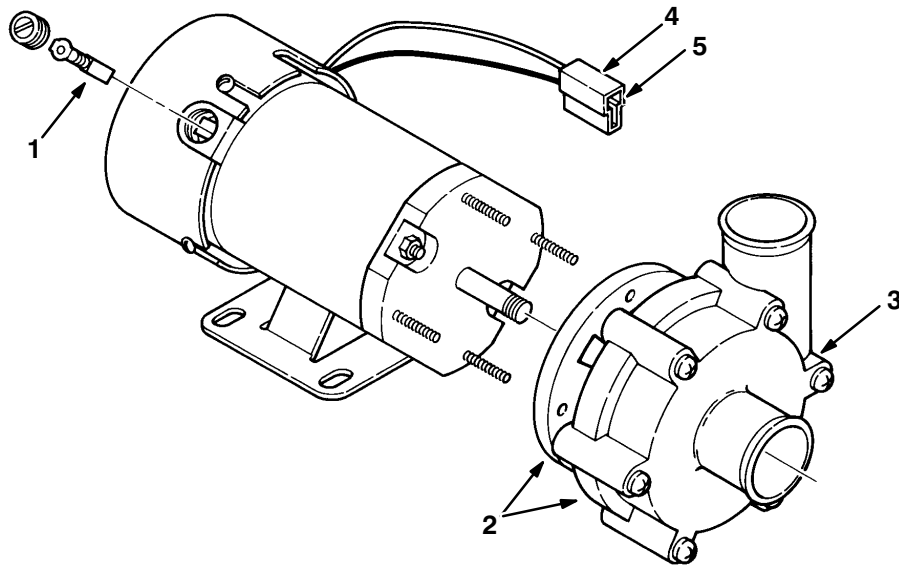


Fig. 2 – Solution Pump Breakdown, 33327

07296

Key	TENNANT Part No.	Manufacturer Serial Number	Description	Qty.
	33327	(000000–)	Pump Assembly, Solution	1
1	48791	(000000–)	Replacement Kit, Brush	1
2	03711	(000000–)	Replacement Kit, Pump Head	1
3	48789	(000000–)	Replacement Kit, Pump Body	1
4	51406	(000000–)	Connector	1
5	51416	(000000–)	Terminal, Male	2

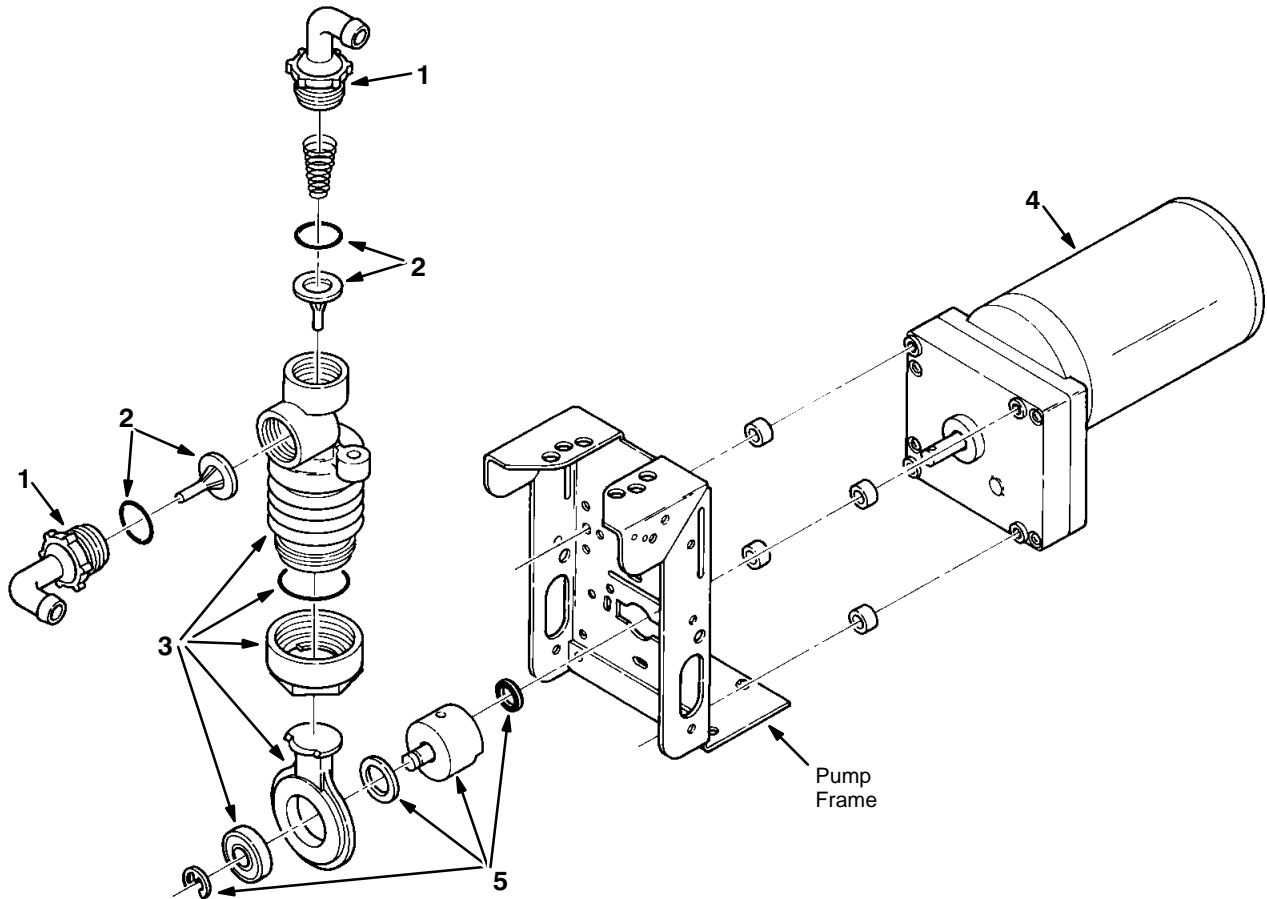


Fig. 3 – Solution Pump Breakdown, 16485

00112

Key	TENNANT Part No.	Manufacturer Serial Number	Description	Qty.
	16485	(000000–)	Pump, Solution Metering	1
1	63923	(000000–)	Connector Kit, Tubing	1
2	63922	(000000–)	Valve Kit, Pump	1
3	63921	(000000–)	Replacement Kit, Bellows	1
4	63924	(000000–)	Motor, Gear	1
5	02430	(000000–)	Crank Replacement Kit	1

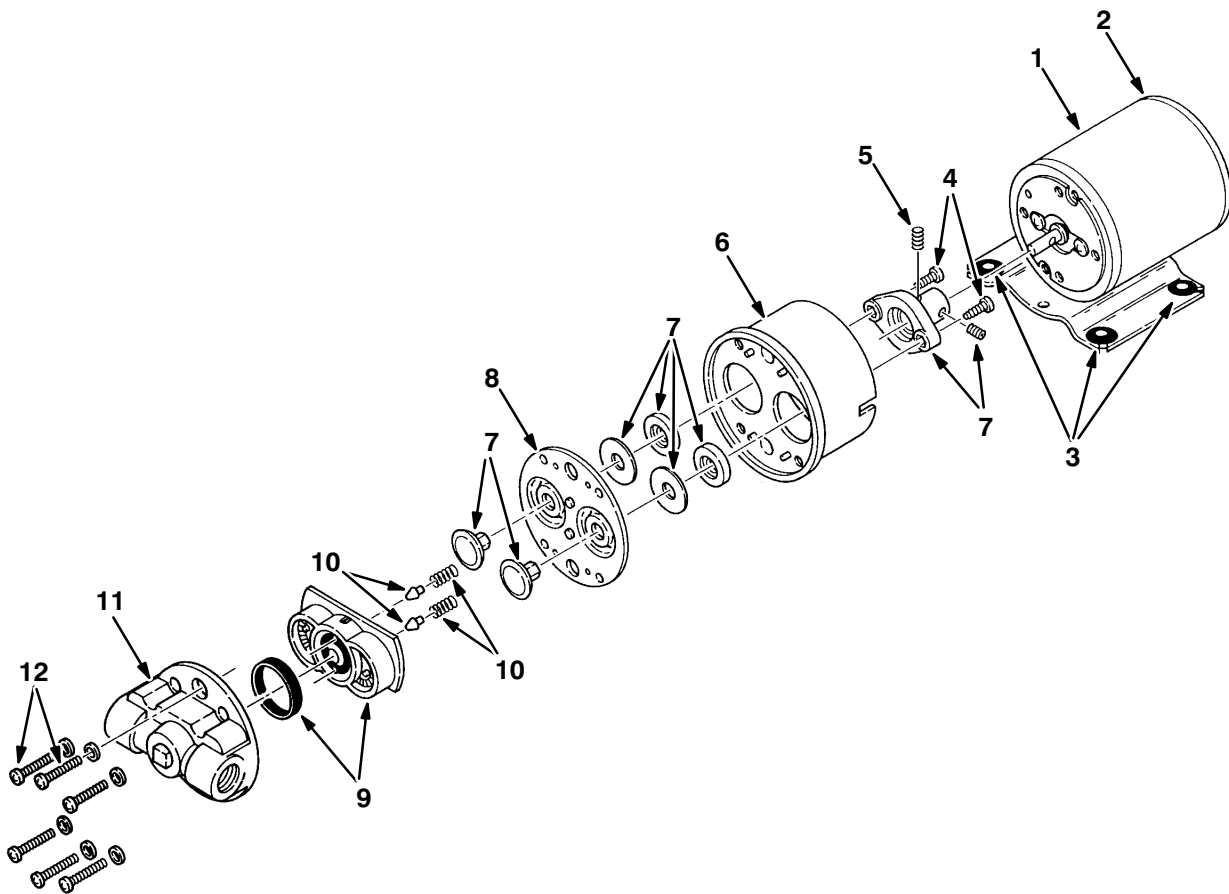


Fig. 4 – Water Pump Breakdown, 10915

05175/05092

Key	TENNANT Part No.	Manufacturer Serial Number	Description	Qty.
	10915	(000000–)	Pump, Water	1
1	65700	(000000–)	Motor, 36V DC	1
2	65701	(000000–)	Brush, Endbell	1
	65702	(000000–)	Brush Kit	1
3	65703	(000000–)	Grommets	4
	65710	(000000–)	Pump Head Assembly	1
4	65667	(000000–)	Cam/Bearing Screw	2
5	65704	(000000–)	Cam/Bearing Set Screw	1
	65705	(000000–)	Cam/Bearing Set	1
6	49901	(000000–)	Bearing Cover	1
7	65706	(000000–)	Piston, Inner/Out	1
8	65707	(000000–)	Diaphragm Kit	1
9	65708	(000000–)	Check Valve	1
10	65709	(000000–)	Bypass, Poppet	1
11	49886	(000000–)	Housing, Pump	1
12	65675	(000000–)	Pump Screws	6

SECTION 11

CONTENTS

	Page
ORDERING REPAIR PARTS	11-3
Fig. 1 – Hydraulic Pump Breakdown, 02704	11-4
Fig. 2 – Hydraulic Pump Breakdown, 16840	11-6
Fig. 3 – Hydraulic Motor Breakdown, 03517	11-7
Fig. 4 – Hydraulic Motor Breakdown, 13106	11-8
Fig. 5 – Hydraulic Motor Breakdown, 27800	11-9
Fig. 6 – Hydraulic Solenoid Valve Breakdown, 82754	11-10
Fig. 7 – Hydraulic Solenoid Valve Breakdown, 65389	11-11
Fig. 8 – Hydraulic Solenoid Valve Breakdown, 19456	11-12
Fig. 9 – Hydraulic Solenoid Valve Breakdown, 19455	11-13
Fig. 10 – Hydraulic Solenoid Valve Breakdown, 65377	11-14
Fig. 11 – Hydraulic Solenoid Valve Breakdown, 65376	11-15
Fig. 12 – Hydraulic Solenoid Valve Breakdown, 19767	11-16
Fig. 13 – Hydraulic Motor Breakdown, 19117	11-17
Fig. 14 – Hydraulic Motor Breakdown, 19349	11-18
Fig. 15 – Flow Switch Breakdown, 31556	11-19

*NOTE: SECTION 11, HYDRAULIC COMPONENTS,
lists repair parts for repairable hydraulic components.*

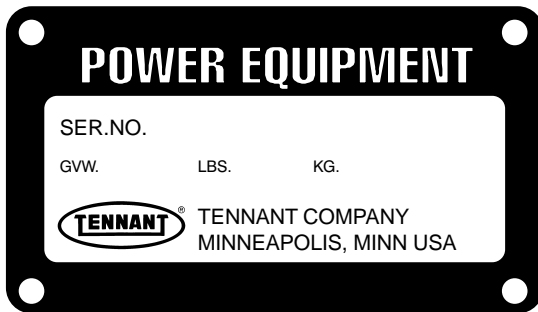
ORDERING REPAIR PARTS

The components used in this machine have been carefully selected for performance and safety. Use only Tennant Company specified or equivalent parts.

To receive prompt service in filling of your parts orders, please direct all orders for parts with Tennant Company part numbers to the Tennant Company, and all orders for parts with vendor part numbers to the local supplier of the respective vendor.

When ordering parts, please furnish all of the following information:

1. Machine model number - shown on the machine data plate.



2. Machine serial number - shown on the machine data plate.
3. Power source - gasoline, LPG, diesel, electric.
4. Company name.
5. Shipping address.
6. Billing address.
7. Name, first and last - of person ordering parts.
8. Telephone number.
9. Purchase order number.
10. Part number, description, and quantity - of each item on the order.
11. Customer ID Number.

Do not order parts by key number or the figure number of the illustrated parts. Indented items indicate parts of assemblies. Standard hardware is furnished only when part of a purchased assembly. Please get hardware from a local hardware supplier.

If the old part cannot be identified, send it to us with the quantity needed specified on the order.

Any claim for loss or damage to a shipment in transit should be filed promptly against the transportation company making the delivery. Shipments will be complete unless the packing list or order acknowledgement indicate items back ordered.

If parts received are suspected to be incorrect or defective, please write, wire, or phone the Tennant Company representative from whom you ordered the part. They will give authorization for return and/or handle replacement shipments when required.

SERIAL NUMBER INFORMATION EXPLANATION

Serial number listings are shown to indicate on which machines each part can be used. These listings are explained by the following examples:

(000000-) The part can be used on all machines.

(003342-) The part can be used on all machines beginning with the serial number listed.

(000000-004320) The part can be used on all machines up to and including serial number listed.

(004321-005678) The part can be used on all machines between and including the serial numbers listed.

Where xxxxxx's are listed in place of a serial number, it indicates a change was made but the exact serial number had not been established when the catalog went to press.

SI UNITS OF MEASURE (INTERNATIONAL SYSTEM)

Metric equivalents have been included, where applicable, throughout this parts catalog.

FASTENER STRENGTH IDENTIFICATION

Fasteners required to have high-strength qualities equivalent to SAE Grade 8 are identified throughout this catalog by the description GR 8. Unless identified by this description, all standard fasteners are SAE Grade 5.

(Specifications and design subject to change without notice.)

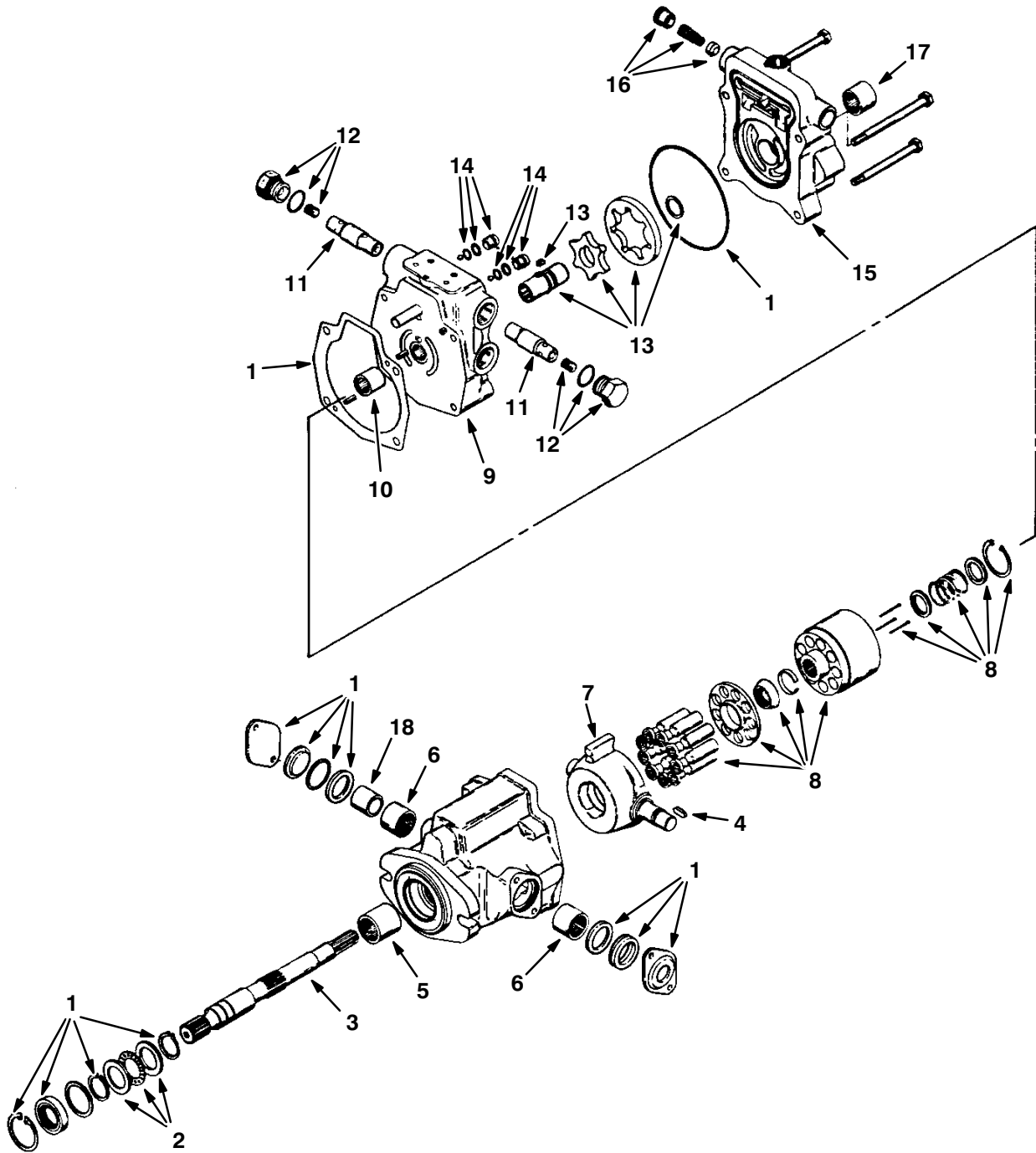


Fig. 1 – Hydraulic Pump Breakdown, 02704

Fig. 1 – Hydraulic Pump Breakdown, 02704

Key	TENNANT Part No.	Manufacturer Serial Number	Description	Qty.
	02704	(000000–)	Pump, Hydraulic	1
1	02711	(000000–)	Seal Kit	1
2	55922	(000000–)	Bearing Kit, Thrust	1
3	55931	(000000–)	Shaft, Pump	1
4	02710	(000000–)	Key	1
5	55939	(000000–)	Bearing, Roller	1
6	02709	(000000–)	Bearing, Trunnion	2
7	02708	(000000–)	Plate, Cam	1
8	02706	(000000–)	Rotating Kit	1
9	02707	(000000–)	Back Plate	1
10	55937	(000000–)	Bearing, Roller	1
11	02650	(000000–)	Valve, Relief	2
12	57210	(000000–)	Plug Assembly	2
13	55932	(000000–)	Gerotor and Coupler Assembly	1
14	37457	(000000–)	Valve Assembly	2
15	55930	(000000–)	Pump Adaptor Assembly	1
16	55906	(000000–)	Valve, Charge Relief	1
17	55929	(000000–)	Bearing, Roller	1
18	02705	(000000–)	Bearing, Inner Race	1

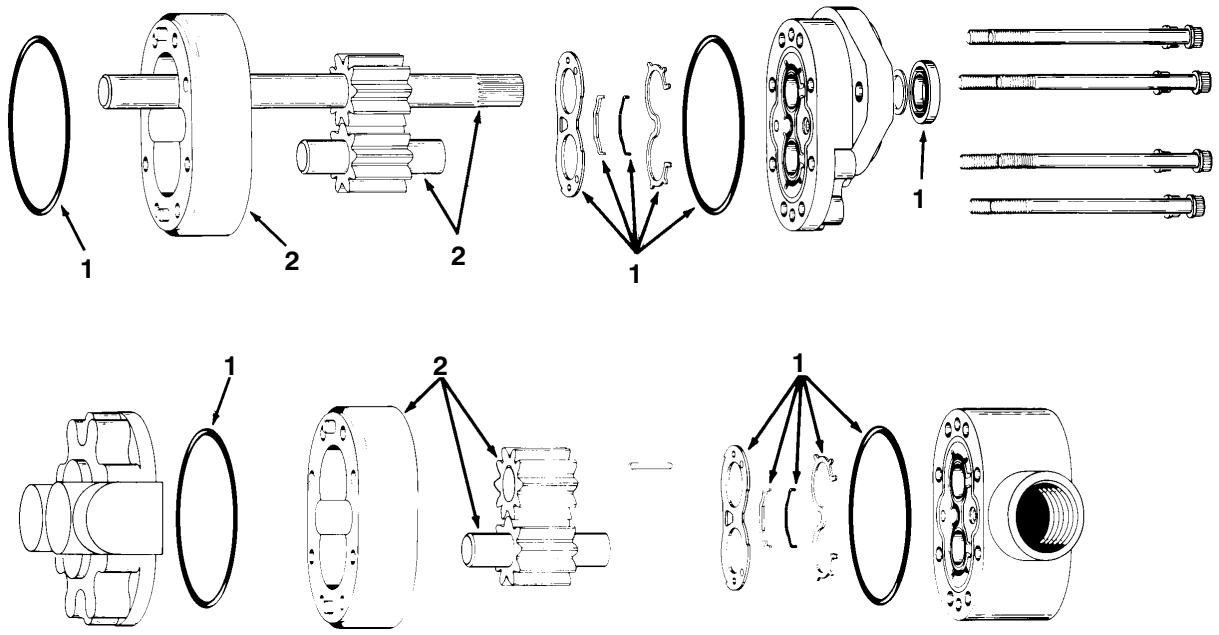


Fig. 2 – Hydraulic Pump Breakdown, 16840

03574

Key	TENNANT Part No.	Manufacturer Serial Number	Description	Qty.
	16840	(000000–)	Pump, Accessories	1
1	57064	(000000–)	Seal Kit	1
2	08021	(000000–)	Body and Gear Kit	1

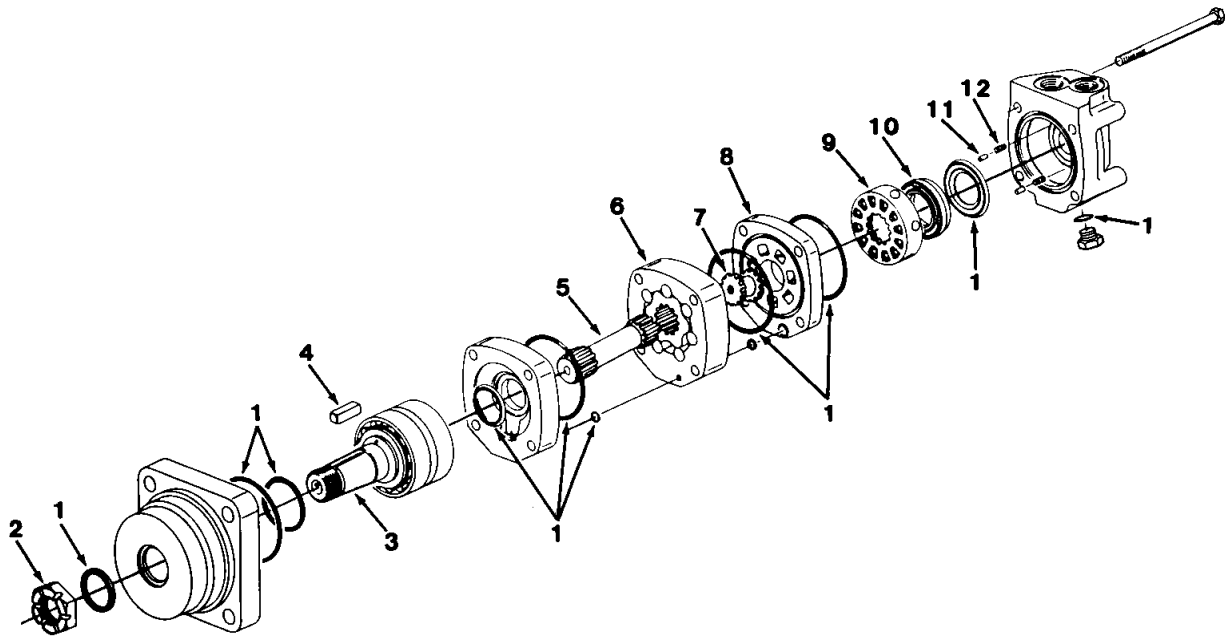


Fig. 3 – Hydraulic Motor Breakdown, 03517

02934

Key	TENNANT Part No.	Manufacturer Serial Number	Description	Qty.
	03517	(000000–)	Motor, Hydraulic	1
1	02643	(000000–)	Seal Kit	1
2	38490	(000000–)	Nut	1
3	02644	(000000–)	Shaft and Bearing Kit	1
4	38315	(000000–)	Key	1
5	03518	(000000–)	Drive	1
6	03519	(000000–)	Gerotor	1
7	57370	(000000–)	Drive, Valve	1
8	02646	(000000–)	Plate, Valve	1
9	02647	(000000–)	Valve	1
10	57373	(000000–)	Ring, Balance	1
11	57374	(000000–)	Pin	2
12	57375	(000000–)	Spring	2

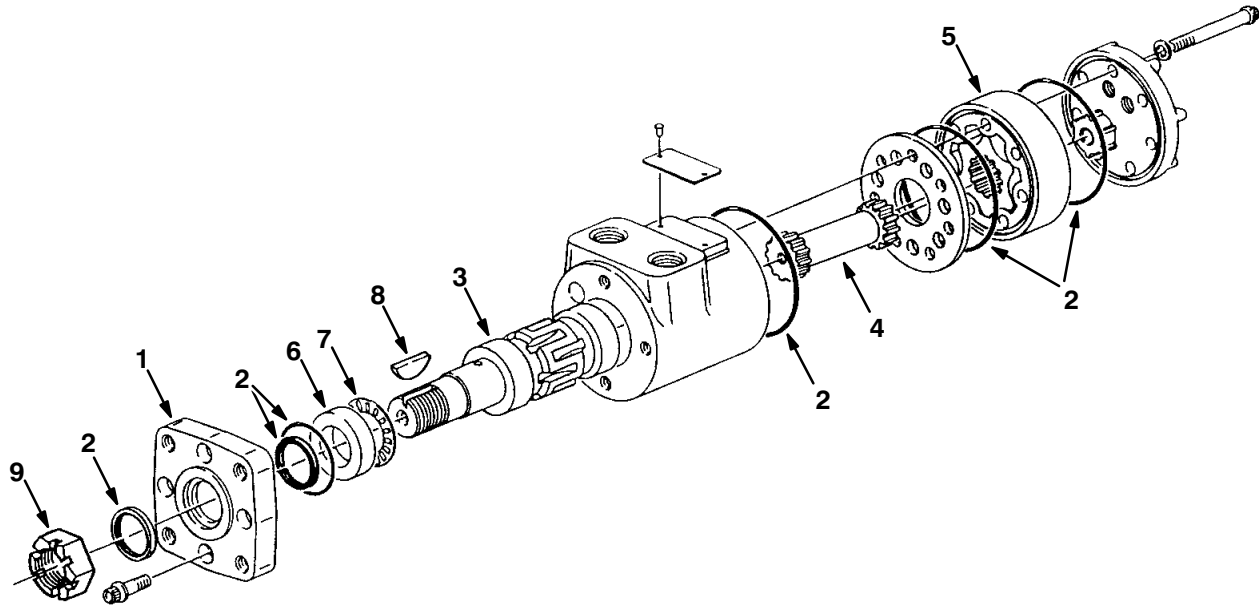


Fig. 4 – Hydraulic Motor Breakdown, 13106

03939

Key	TENNANT Part No.	Manufacturer Serial Number	Description	Qty.
	13106	(000000–)	Motor, Hydraulic	1
1	34174	(000000–)	Flange, Mounting	1
2	47649	(000000–)	Seal Kit	1
3	37617	(000000–)	Shaft	1
4	34176	(000000–)	Drive	1
5	34177	(000000–)	Gerotor	1
6	16695	(000000–)	Race, Thrust	1
7	45628	(000000–)	Thrust, Bearing	1
8	00500–15	(000000–)	Key, Woodruff	1
9	39527	(000000–)	Nut, Slotted Hex	1

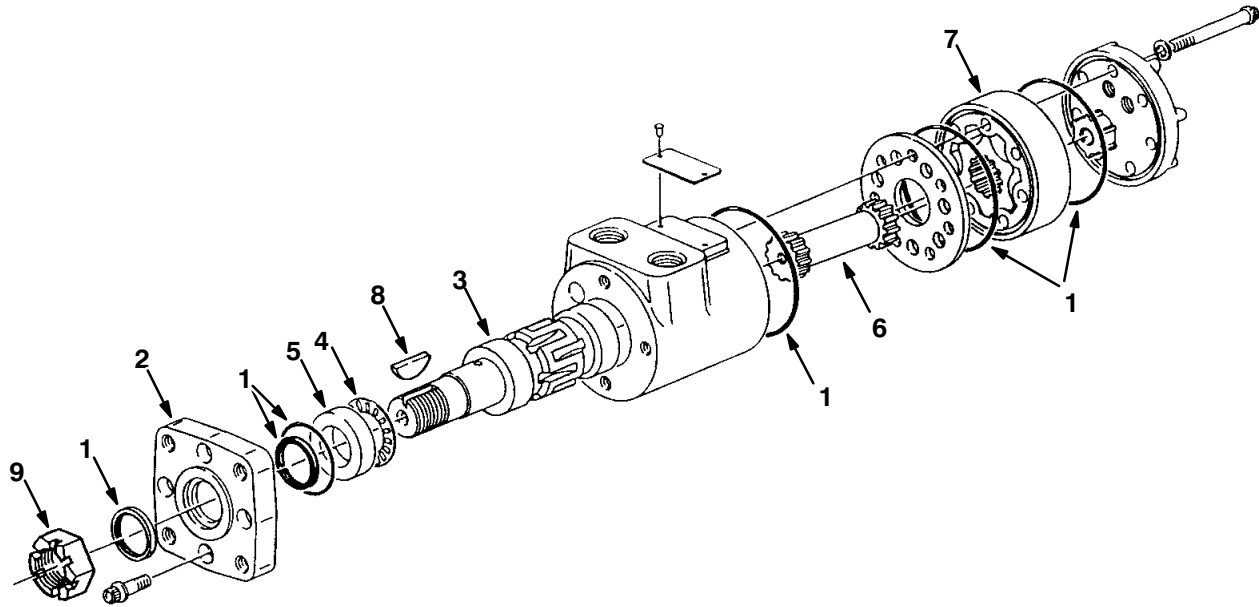


Fig. 5 – Hydraulic Motor Breakdown, 27800

05347

Key	TENNANT Part No.	Manufacturer Serial Number	Description	Qty.
1	27800	(000000–)	Motor, Hydraulic	1
1	28835	(000000–)	Seal Kit	1
2	31354	(000000–)	Flange, Mounting	1
	31374	(000000–)	Output Shaft Assembly	1
3	31375	(000000–)	Shaft, Output	1
4	45628	(000000–)	Bearing	1
5	16695	(000000–)	Race, Thrust	1
6	31380	(000000–)	Drive	1
7	31383	(000000–)	Gerotor Set	1
8	00500–15	(000000–)	Key, Woodruff	1
9	39527	(000000–)	Nut, Slotted Hex	1

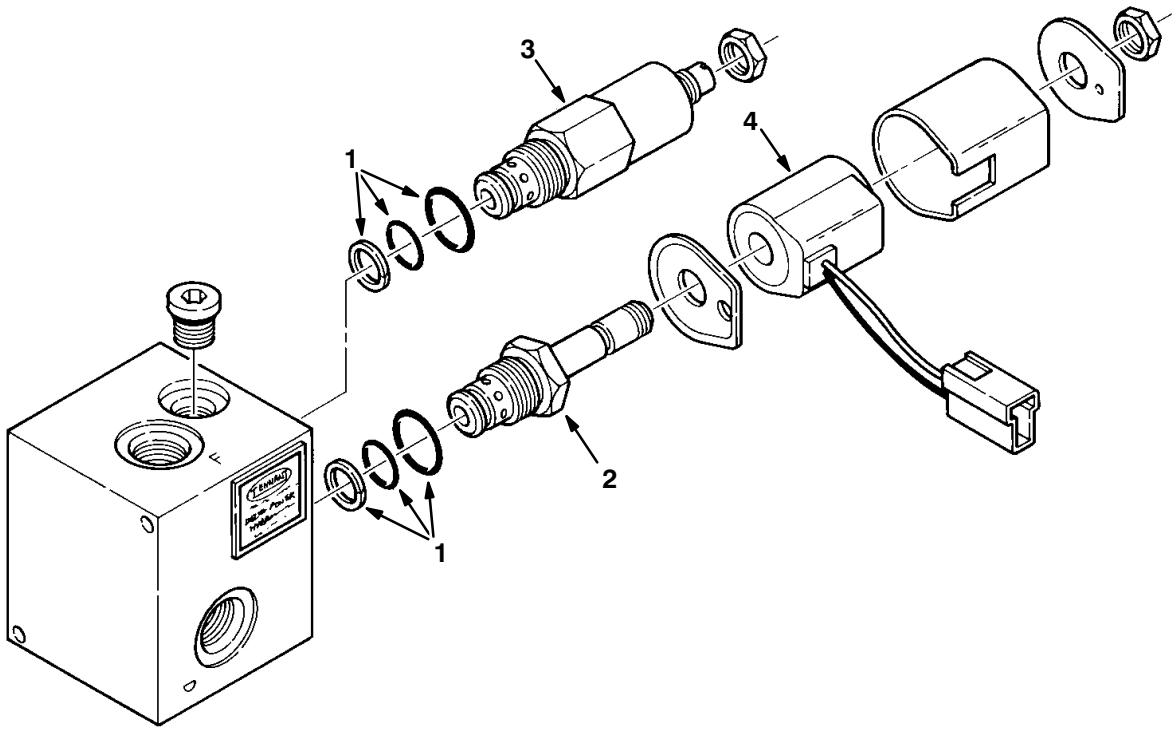


Fig. 6 – Hydraulic Solenoid Valve Breakdown, 82754

02580

Key	TENNANT Part No.	Manufacturer Serial Number	Description	Qty.
	82754	(000000–)	Valve, Solenoid	1
1	02606	(000000–)	Seal Kit	1
2	02607	(000000–)	Valve, Cartridge	1
3	02609	(000000–)	Valve, Relief	1
4	57186	(000000–)	Solenoid	1

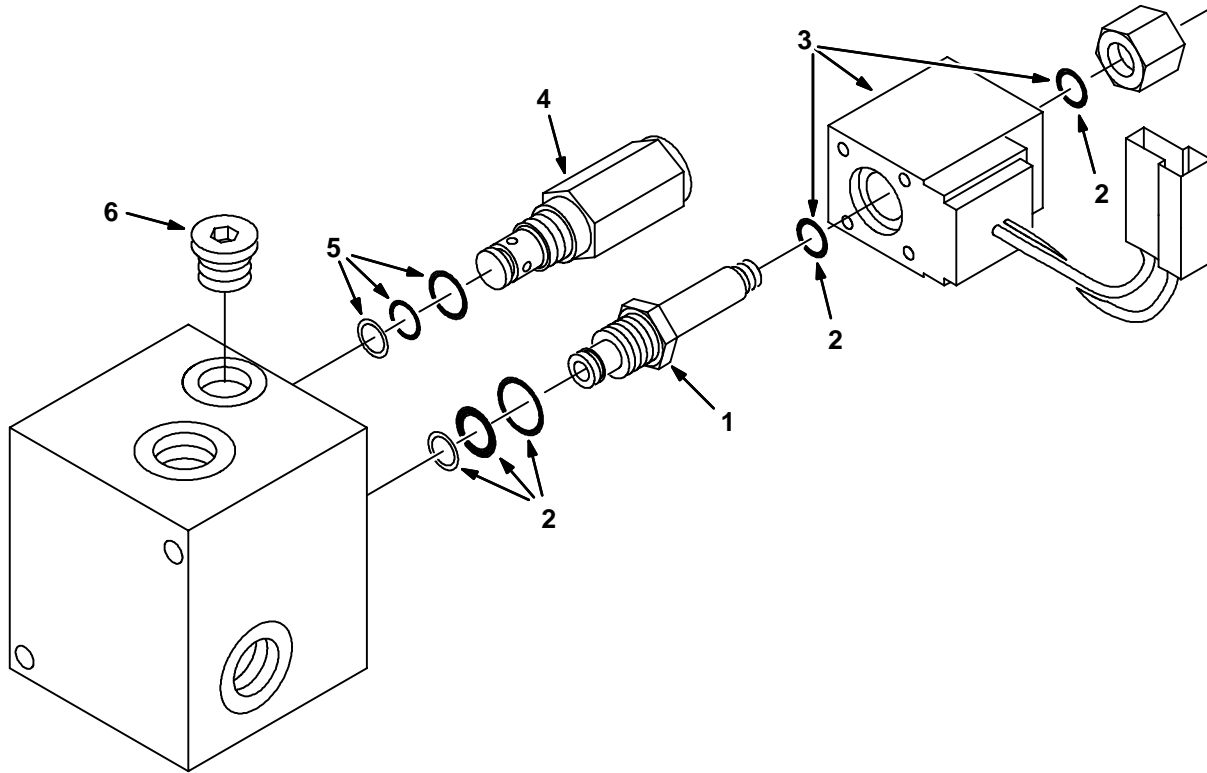


Fig. 7 – Hydraulic Solenoid Valve Breakdown, 65389

09935

Key	TENNANT Part No.	Manufacturer Serial Number	Description	Qty.
	65389	(000000–)	Valve, Solenoid	1
1	61927	(000000–)	Valve Stem (Includes Seals)	1
2	48813	(000000–)	Seal Kit, One Cartridge	1
3	65382	(000000–)	Solenoid	1
4	02609	(000000–)	Valve, Relief (Includes Seals)	1
5	48813	(000000–)	Seal Kit, One Cartridge	1
6	13904	(000000–)	Plug, #6 O-Ring	1

HYDRAULIC COMPONENTS

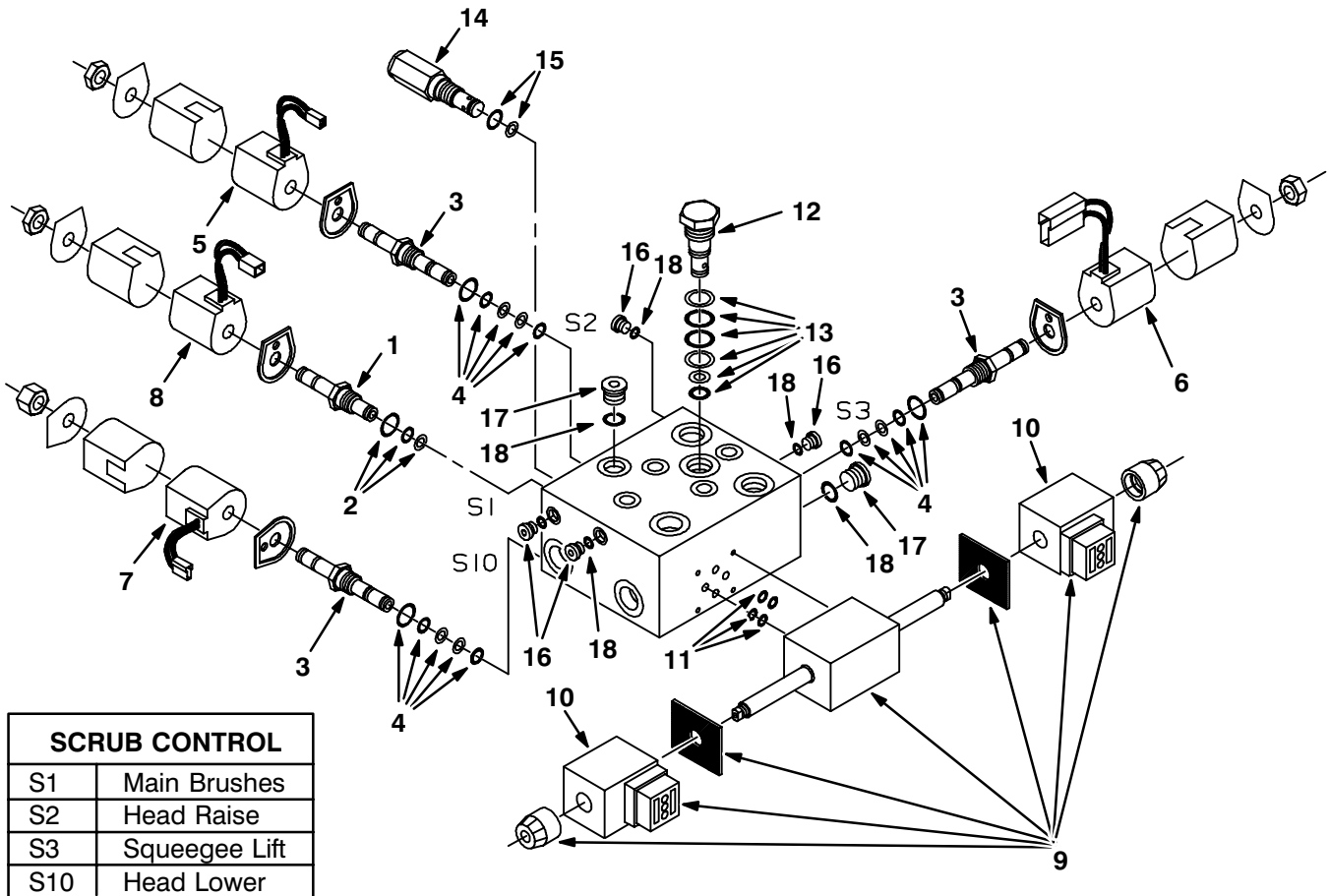


Fig. 8 – Hydraulic Solenoid Valve Breakdown, 19456

05200

Key	TENNANT Part No.	Manufacturer Serial Number	Description	Qty.
	19456	(000000–)	Valve, Hydraulic Solenoid	1
1	02607	(000000–)	Cartridge, Solenoid Valve (Includes Seals)	1
2	48813	(000000–)	Seal Kit, One Cartridge	1
3	25629	(000000–)	Cartridge, Solenoid Valve (Includes Seals)	3
4	48813	(000000–)	Seal Kit, One Cartridge	1
5	13945	(000000–)	Coil, 14 V, FSQR (Includes Seals)	1
6	13947	(000000–)	Coil, 14 V, MTEE (Includes Seals)	1
7	13948	(000000–)	Coil, 14 V, MSQR (Includes Seals)	1
8	57186	(000000–)	Coil, 14 V, FTEE (Includes Seals)	1
9	31479	(000000–)	Valve, Solenoid (Includes Seals)	1
10	13932	(000000–)	Coil, 12 V, PRKR	2
11	48833	(000000–)	Seal Kit, Solenoid Valve, PRKR	1
12	31476	(000000–)	Cartridge, Check Valve (Includes Seals)	1
13	48834	(000000–)	Seal Kit, One Cartridge	1
14	25389	(000000–)	Cartridge, Relief Valve (Includes Seals)	1
15	48813	(000000–)	Seal Kit, One Cartridge	1
16	13902	(000000–)	Plug, SAE #2 (Includes Seal)	4
17	13904	(000000–)	Plug, SAE #6 (Includes Seal)	2
18	48835	(000000–)	Seal Kit, Plugs Only (Complete Set)	1

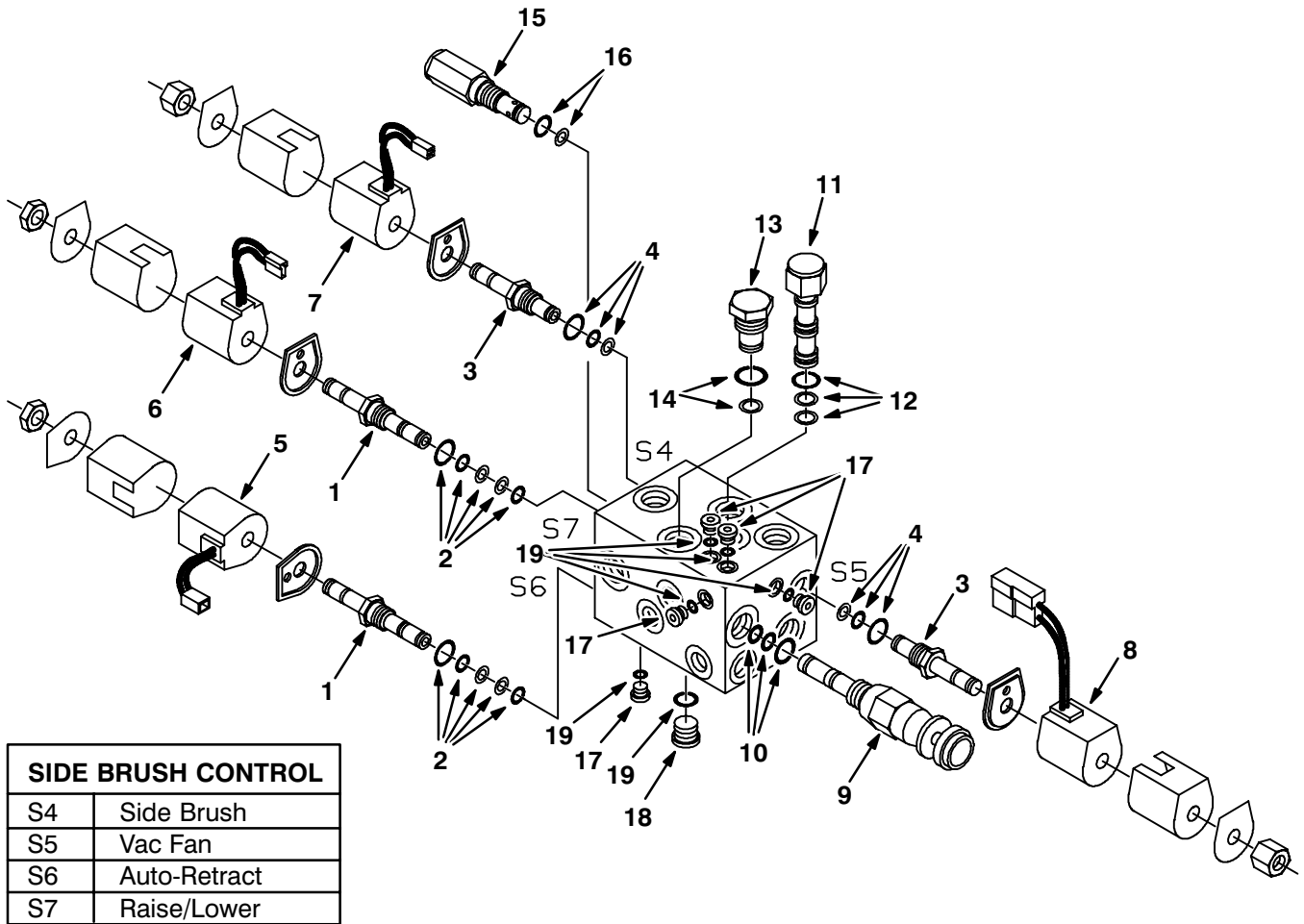


Fig. 9 – Hydraulic Solenoid Valve Breakdown, 19455

05199

Key	TENNANT Part No.	Manufacturer Serial Number	Description	Qty.
	19455	(000000–)	Valve, Hydraulic Solenoid	1
1	25629	(000000–)	Cartridge, Solenoid Valve (Includes Seals)	2
2	48813	(000000–)	Seal Kit, One Cartridge	1
3	02607	(000000–)	Cartridge, Solenoid Valve (Includes Seals)	2
4	48813	(000000–)	Seal Kit, One Cartridge	1
5	13945	(000000–)	Coil, 14 V, FSQR (Includes Seals)	1
6	13947	(000000–)	Coil, 14 V, MTEE (Includes Seals)	1
7	13948	(000000–)	Coil, 14 V, MSQR (Includes Seals)	1
8	57186	(000000–)	Coil, 14 V, FTEE (Includes Seals)	1
9	25388	(000000–)	Cartridge, Press. Reder. Valve (Includes Seals)	1
10	48813	(000000–)	Seal Kit, One Cartridge	1
11	25630	(000000–)	Cartridge, Press. Reder. Valve (Includes Seals)	1
12	48813	(000000–)	Seal Kit, One Cartridge	1
13	25628	(000000–)	Cartridge, Check Valve (Includes Seals)	1
14	48813	(000000–)	Seal Kit, One Cartridge	1
15	25389	(000000–)	Cartridge, Relief Valve (Includes Seals)	1
16	48813	(000000–)	Seal Kit, One Cartridge	1
17	13902	(000000–)	Plug, SAE #2 (Includes Seal)	6
18	13904	(000000–)	Plug, SAE #6 (Includes Seal)	1
19	48835	(000000–)	Seal Kit, Plugs Only (Complete Set)	1

HYDRAULIC COMPONENTS

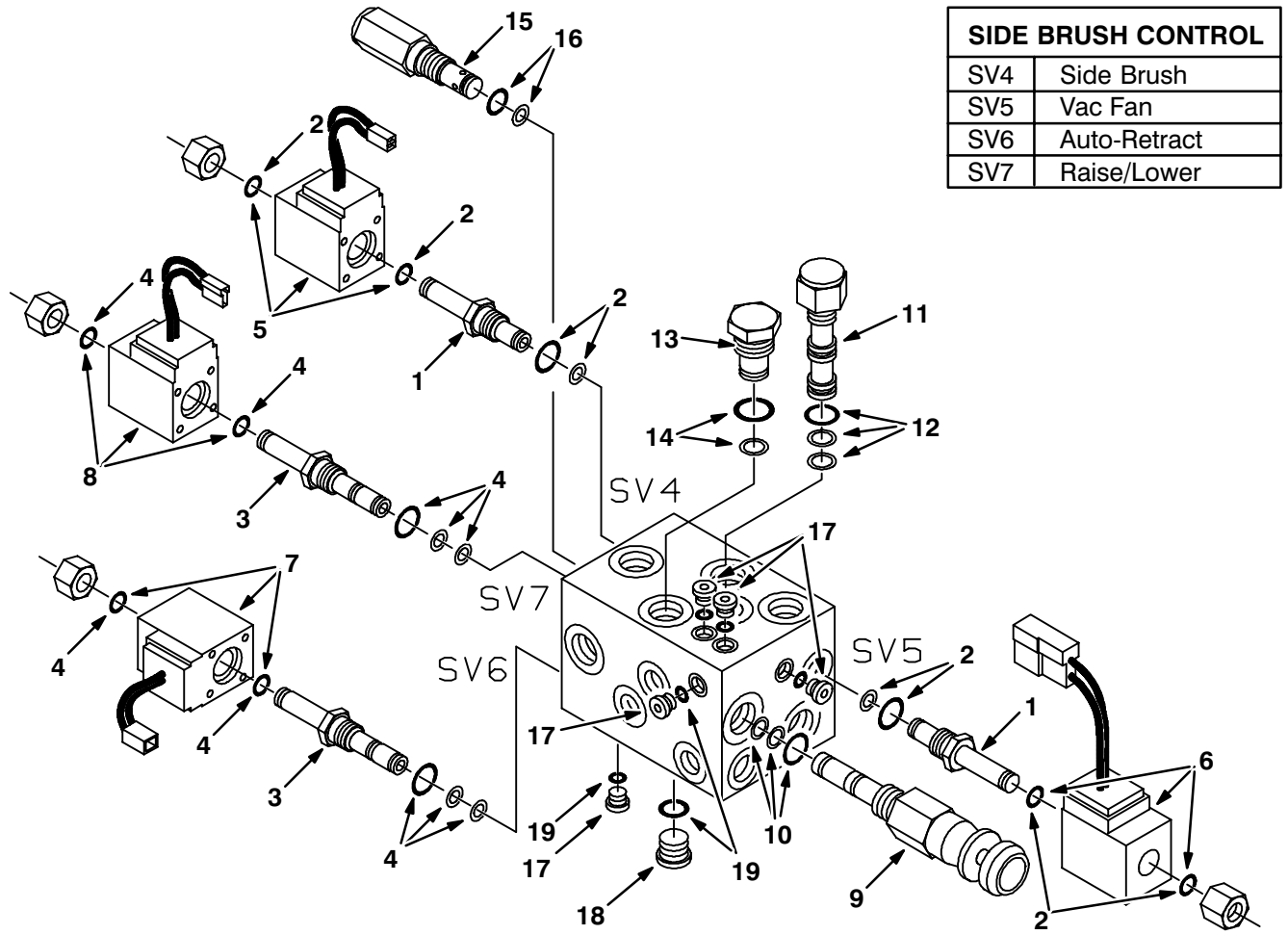


Fig. 10 – Hydraulic Solenoid Valve Breakdown, 65377

07297

Key	TENNANT Part No.	Manufacturer Serial Number	Description	Qty.
	65377	(000000-)	Valve, Hydraulic Solenoid	1
1	61927	(000000-)	Cartridge, Solenoid Valve (Includes Seals)	2
2	48813	(000000-)	Seal Kit, One Cartridge	1
3	61928	(000000-)	Cartridge, Solenoid Valve (Includes Seals)	2
4	48813	(000000-)	Seal Kit, One Cartridge	1
5	65381	(000000-)	Coil, 14 V, MSQR (Includes Seals)	1
6	65382	(000000-)	Coil, 14 V, FTEE (Includes Seals)	1
7	65383	(000000-)	Coil, 14 V, FSQR (Includes Seals)	1
8	65380	(000000-)	Coil, 14 V, MTEE (Includes Seals)	1
9	25388	(000000-)	Cartridge, Press. Reder. Valve (Includes Seals)	1
10	48813	(000000-)	Seal Kit, One Cartridge	1
11	25630	(000000-)	Cartridge, Press. Reder. Valve (Includes Seals)	1
12	48813	(000000-)	Seal Kit, One Cartridge	1
13	25628	(000000-)	Cartridge, Check Valve (Includes Seals)	1
14	48813	(000000-)	Seal Kit, One Cartridge	1
15	25389	(000000-)	Cartridge, Relief Valve (Includes Seals)	1
16	48813	(000000-)	Seal Kit, One Cartridge	1
17	13902	(000000-)	Plug, SAE #2 (Includes Seal)	6
18	13904	(000000-)	Plug, SAE #6 (Includes Seal)	1
19	48835	(000000-)	Seal Kit, Plugs Only (Complete Set)	1

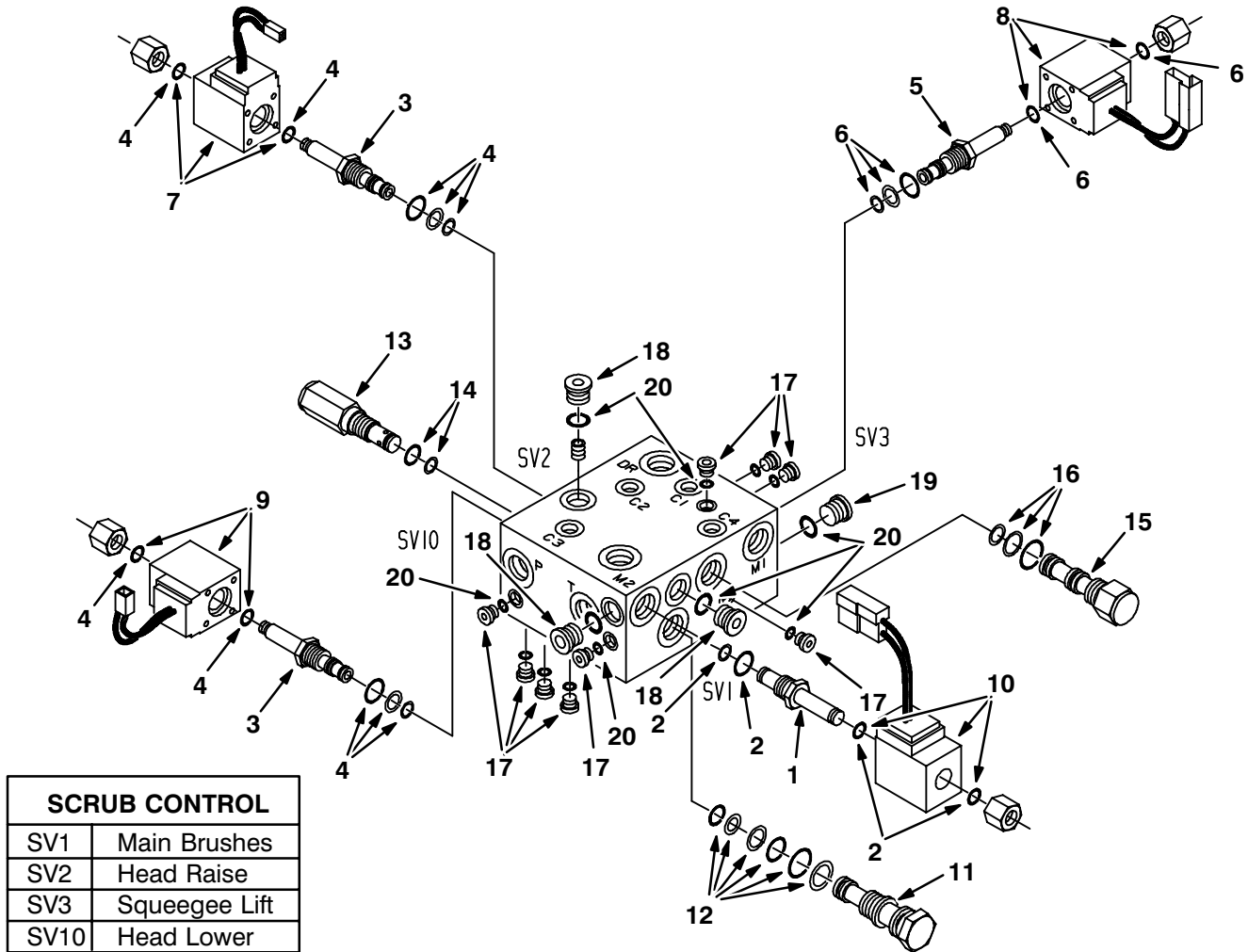
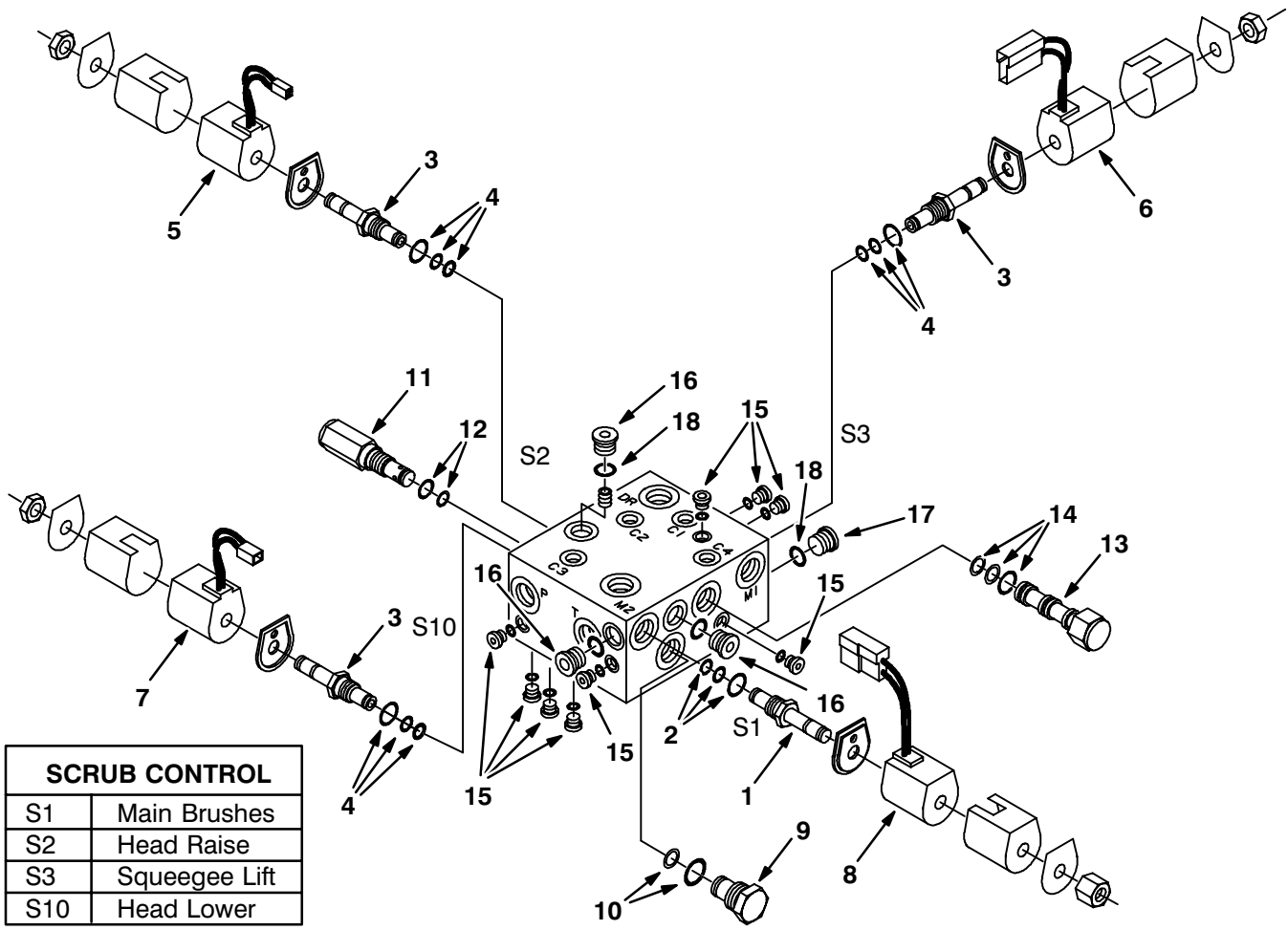


Fig. 11 – Hydraulic Solenoid Valve Breakdown, 65376

07299

Key	TENNANT Part No.	Manufacturer Serial Number	Description	Qty.
	65376	(000000–)	Valve, Hydraulic Solenoid	1
1	61927	(000000–)	Cartridge, Solenoid Valve (Includes Seals)	1
2	48813	(000000–)	Seal Kit, One Cartridge	1
3	61928	(000000–)	Cartridge, Solenoid Valve (Includes Seals)	2
4	48813	(000000–)	Seal Kit, One Cartridge	1
5	48829	(000000–)	Cartridge, Solenoid Valve (Includes Seals)	1
6	48813	(000000–)	Seal Kit, One Cartridge	1
7	65383	(000000–)	Coil, 14 V, FSQR (Includes Seals)	1
8	65380	(000000–)	Coil, 14 V, MTEE (Includes Seals)	1
9	65381	(000000–)	Coil, 14 V, MSQR (Includes Seals)	1
10	65382	(000000–)	Coil, 14 V, FTEE (Includes Seals)	1
11	31476	(000000–)	Cartridge, Check Valve (Includes Seals)	1
12	48834	(000000–)	Seal Kit, One Cartridge	1
13	25389	(000000–)	Cartridge, Relief Valve (Includes Seals)	1
14	48813	(000000–)	Seal Kit, One Cartridge	1
15	35050	(000000–)	Cartridge, Logic Valve (Includes Seals)	1
16	48813	(000000–)	Seal Kit, One Cartridge	1
17	13902	(000000–)	Plug, SAE #2 (Includes Seal)	9
18	74098	(000000–)	Plug, SAE #4 (Includes Seal)	3
19	13904	(000000–)	Plug, SAE #6 (Includes Seal)	1
20	48835	(000000–)	Seal Kit, Plugs Only (Complete Set)	1

HYDRAULIC COMPONENTS



SCRUB CONTROL	
S1	Main Brushes
S2	Head Raise
S3	Squeegee Lift
S10	Head Lower

Fig. 12 – Hydraulic Solenoid Valve Breakdown, 19767

05201

Key	TENNANT Part No.	Manufacturer Serial Number	Description	Qty.
	19767	(000000-)	Valve, Hydraulic Solenoid	1
1	02607	(000000-)	Cartridge, Solenoid Valve (Includes Seals)	2
2	48813	(000000-)	Seal Kit, One Cartridge	1
3	25629	(000000-)	Cartridge, Solenoid Valve (Includes Seals)	2
4	48813	(000000-)	Seal Kit, One Cartridge	1
5	13945	(000000-)	Coil, 14 V, FSQR (Includes Seals)	1
6	13947	(000000-)	Coil, 14 V, MTEE (Includes Seals)	1
7	13948	(000000-)	Coil, 14 V, MSQR (Includes Seals)	1
8	57186	(000000-)	Coil, 14 V, FTEE (Includes Seals)	1
9	31476	(000000-)	Cartridge, Check Valve (Includes Seals)	1
10	48834	(000000-)	Seal Kit, One Cartridge	1
11	25389	(000000-)	Cartridge, Relief Valve (Includes Seals)	1
12	48813	(000000-)	Seal Kit, One Cartridge	1
13	35050	(000000-)	Cartridge, Logic Valve (Includes Seals)	1
14	48813	(000000-)	Seal Kit, One Cartridge	1
15	13902	(000000-)	Plug, SAE #2 (Includes Seal)	9
16	74098	(000000-)	Plug, SAE #4 (Includes Seal)	3
17	13904	(000000-)	Plug, SAE #6 (Includes Seal)	1
18	48835	(000000-)	Seal Kit, Plugs Only (Complete Set)	1

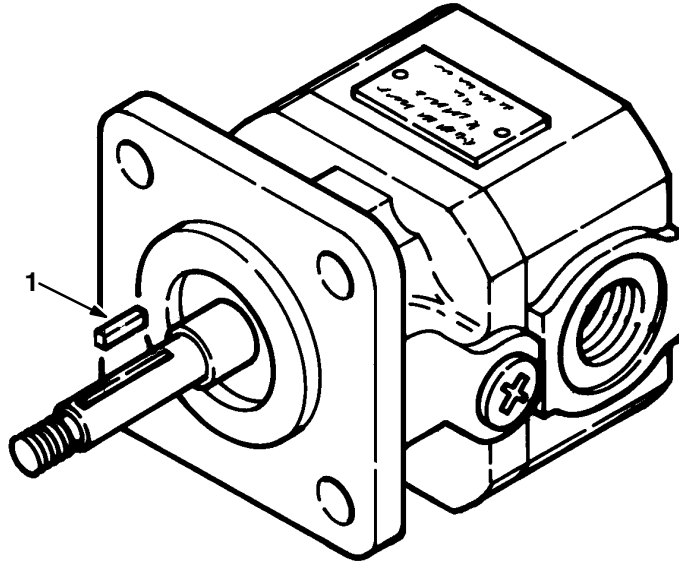


Fig. 13 – Hydraulic Motor Breakdown, 19117

05187

Key	TENNANT Part No.	Manufacturer Serial Number	Description	Qty.
	19117	(000000–)	Motor, Hydraulic	1
	SK2561	(000000–)	Seal Kit	1
1	00966	(000000–)	Key, Square	1

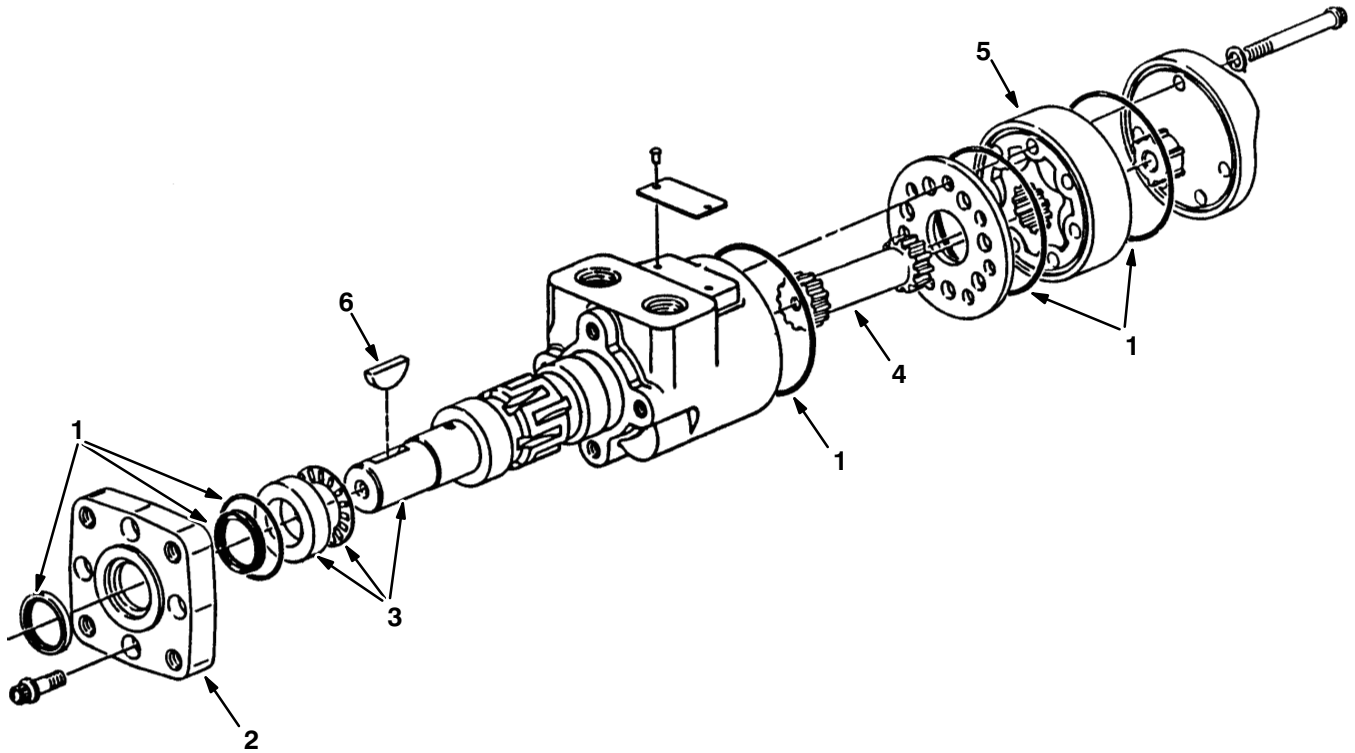
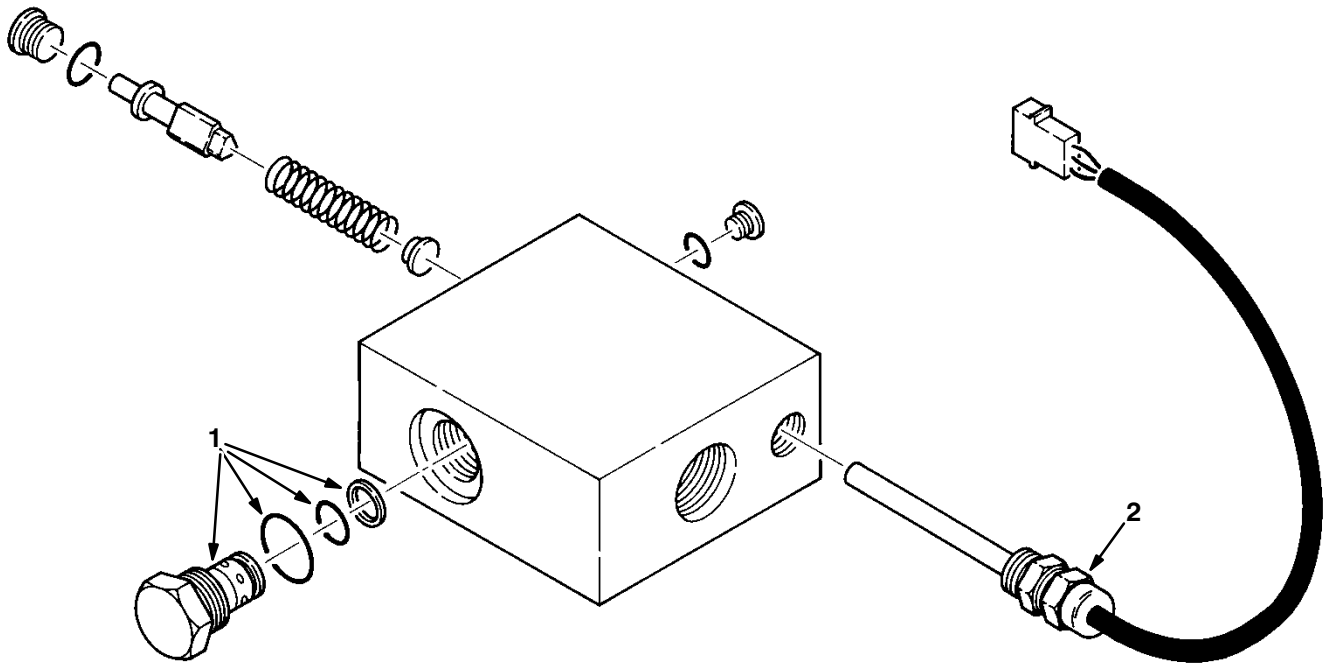


Fig. 14 – Hydraulic Motor Breakdown, 19349

05188

Key	TENNANT Part No.	Manufacturer Serial Number	Description	Qty.
	19349	(000000–)	Motor, Hydraulic	1
1	28835	(000000–)	Seal, Kit	1
2	31354	(000000–)	Flange, Mounting	1
3	28853	(000000–)	Shaft Assembly, Output	1
4	34172	(000000–)	Drive	1
5	57542	(000000–)	Gerotor Set	1
6	00500–15	(000000–)	Key, Woodruff	1



02399

Fig. 15 – Flow Switch Breakdown, 31556

Key	TENNANT Part No.	Manufacturer Serial Number	Description	Qty.
	31556	(000000–)	Switch, Flow	1
1	25628	(000000–)	Check Valve	1
2	31639	(000000–)	Switch Assembly	1

SECTION 12

CONTENTS

	Page
ORDERING REPAIR PARTS	12-3
Fig. 1 – Cylinder Head Group	12-4
Fig. 2 – Cylinder Block Group	12-6
Fig. 3 – Camshaft Group	12-8
Fig. 4 – Crankshaft and Piston Group	12-10
Fig. 5 – Oil Pump and Oil Pan Group	12-12
Fig. 6 – Intake and Exhaust Manifold Group	12-14
Fig. 7 – Front Cover Group	12-15
Fig. 8 – Water Pump Group	12-16
Fig. 9 – Distributor Group	12-18
Fig. 10 – Gaskets Group	12-20
Fig. 11 – Flywheel Group	12-22

NOTE: SECTION 12, ENGINE PARTS, GASOLINE, LPG, lists repair parts for gasoline and LPG powered engines, TENNANT part number 07491, on machines with serial numbers up through 030999.

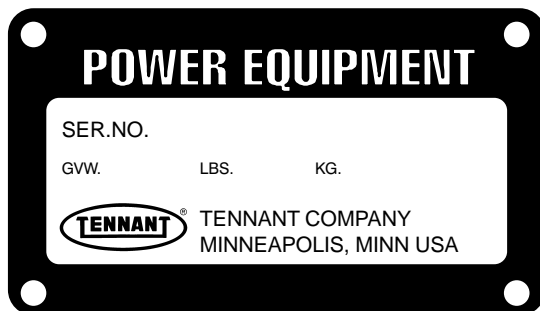
ORDERING REPAIR PARTS

The components used in this machine have been carefully selected for performance and safety. Use only Tennant Company specified or equivalent parts.

To receive prompt service in filling of your parts orders, please direct all orders for parts with Tennant Company part numbers to the Tennant Company, and all orders for parts with vendor part numbers to the local supplier of the respective vendor.

When ordering parts, please furnish all of the following information:

1. Machine model number - shown on the machine data plate.



2. Machine serial number - shown on the machine data plate.
3. Power source - gasoline, LPG, diesel, electric.
4. Company name.
5. Shipping address.
6. Billing address.
7. Name, first and last - of person ordering parts.
8. Telephone number.
9. Purchase order number.
10. Part number, description, and quantity - of each item on the order.
11. Customer ID Number.

Do not order parts by key number or the figure number of the illustrated parts. Indented items indicate parts of assemblies. Standard hardware is furnished only when part of a purchased assembly. Please get hardware from a local hardware supplier.

If the old part cannot be identified, send it to us with the quantity needed specified on the order.

Any claim for loss or damage to a shipment in transit should be filed promptly against the transportation company making the delivery. Shipments will be complete unless the packing list or order acknowledgement indicate items back ordered.

If parts received are suspected to be incorrect or defective, please write, wire, or phone the Tennant Company representative from whom you ordered the part. They will give authorization for return and/or handle replacement shipments when required.

SERIAL NUMBER INFORMATION EXPLANATION

Serial number listings are shown to indicate on which machines each part can be used. These listings are explained by the following examples:

(000000-) The part can be used on all machines.

(003342-) The part can be used on all machines beginning with the serial number listed.

(000000-004320) The part can be used on all machines up to and including serial number listed.

(004321-005678) The part can be used on all machines between and including the serial numbers listed.

Where xxxxxx's are listed in place of a serial number, it indicates a change was made but the exact serial number had not been established when the catalog went to press.

**SI UNITS OF MEASURE
(INTERNATIONAL SYSTEM)**

Metric equivalents have been included, where applicable, throughout this parts catalog.

FASTENER STRENGTH IDENTIFICATION

Fasteners required to have high-strength qualities equivalent to SAE Grade 8 are identified throughout this catalog by the description GR 8. Unless identified by this description, all standard fasteners are SAE Grade 5.

(Specifications and design subject to change without notice.)

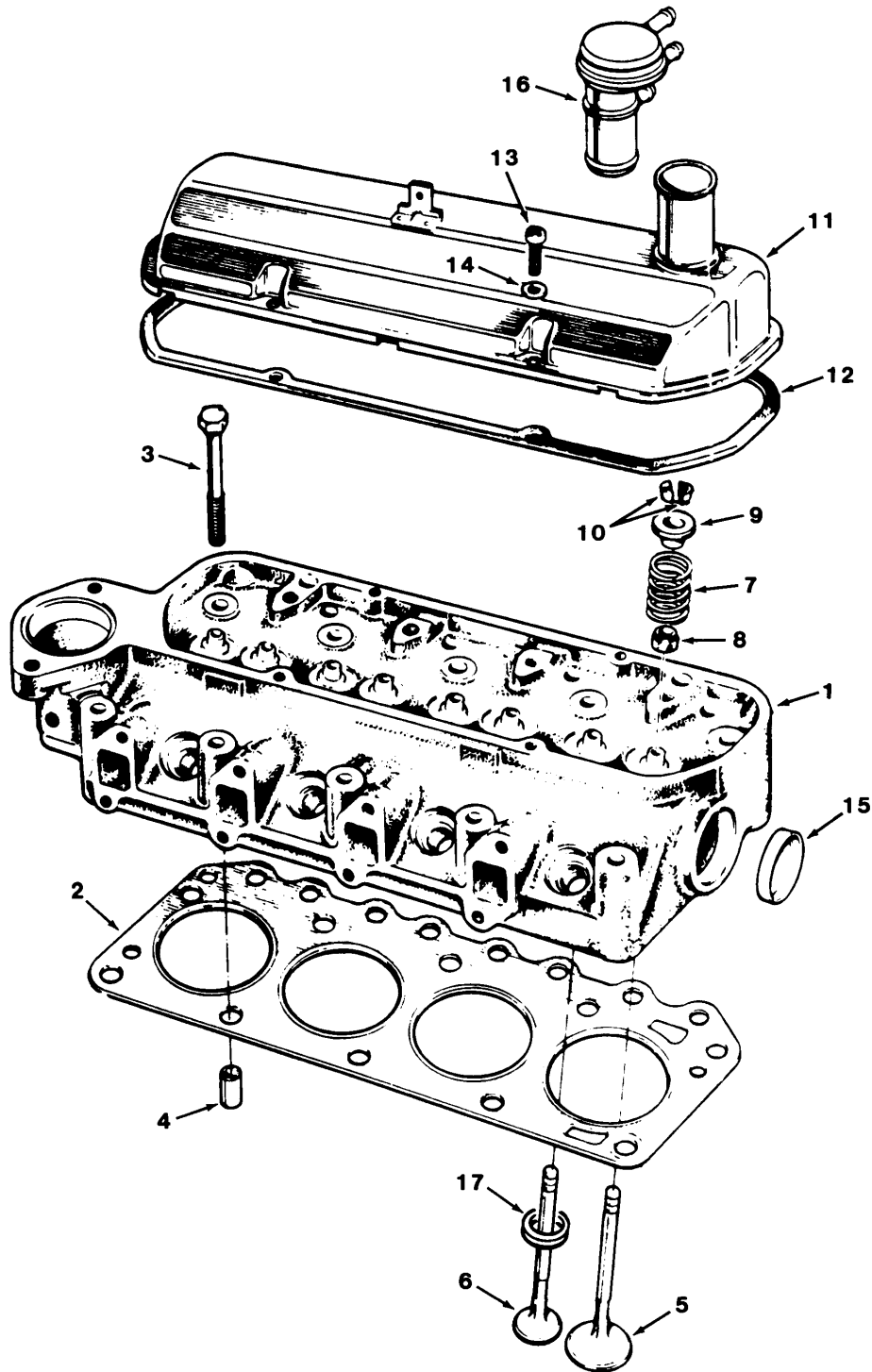


Fig. 1 - Cylinder Head Group

Fig. 1 – Cylinder Head Group

Key	TENNANT Part No.	Ford Part Number	Engine Serial Number	Description	Qty.
1		86BM-6049-CC	(000000-)	Head Assembly, Cylinder	1
2	07704	86BM-6051-B1A	(000000-)	Gasket, Cylinder Head	1
3		77BM-6065-AA	(000000-)	Bolt, Cylinder Head	10
4	36298	E840126-S	(000000-)	Dowel, Cylinder Head to Block	2
5		80BM-6507-DC	(000000-)	Valve, Intake, Std.	4
		80BM-6507-FC	(000000-)	Valve, Intake, 0.015" (0.38 mm) O/S	As Req.
6		77BM-6505-DB	(000000-)	Valve, Exhaust, Std.	4
7		86BM-6513-AA	(000000-)	Spring, Valve	8
8		D1FZ-6571-B	(000000-)	Seal, Valve Stem Oil, Intake	4
		77BM-6571-AB	(000000-)	Seal, Valve Stem Oil, Exhaust	4
9		D1FZ-6514-B	(000000-)	Retainer, Valve Spring	8
10	37695	D1FZ-6518-B	(000000-)	Lock, Valve Spring Retainer	16
11	10792	84BM-6582-CA	(000000-)	Cover, Rocker Arm	1
12	07705	77BM-6584-CA	(000000-)	Gasket, Rocker Arm Cover	1
13		E603166-S72	(000000-)	Screw, M6 x 16 Rocker Cover to Head	4
14	36325	118297-ES8	(000000-)	Washer, Flat, 6 mm, Rocker Cover Bolt	4
15	36265	D8RZ-6026-B	(000000-)	Plug	1
16	10795	84BF-6K614-CA	(000000-)	Cap, Oil Fill	1
17		86BM-6057-CA	(000000-)	Insert, Valve Seat	4

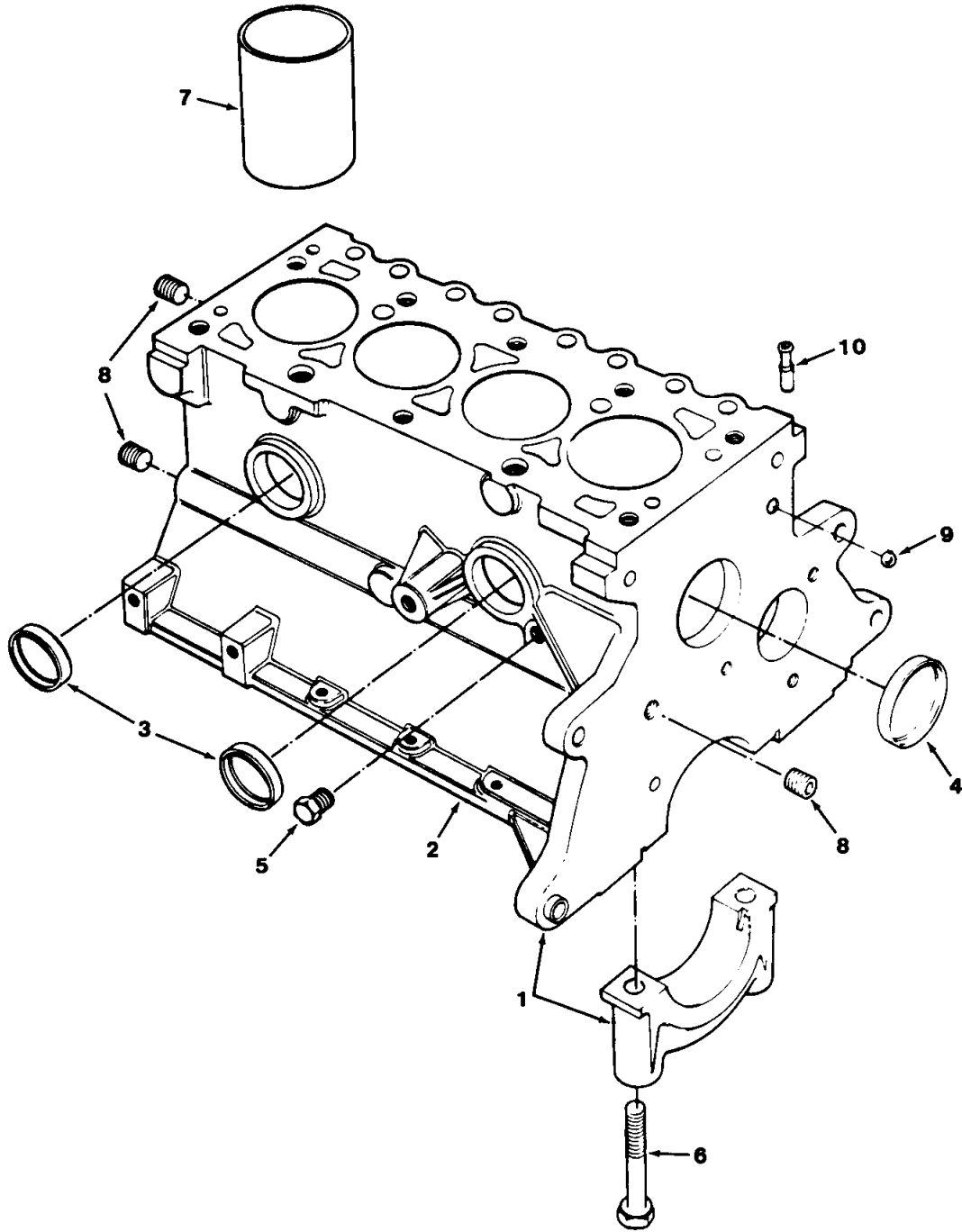


Fig. 2 – Cylinder Block Group

Fig. 2 – Cylinder Block Group

Key	TENNANT Part No.	Ford Part Number	Engine Serial Number	Description	Qty.
1		86BM-6011-AA	(000000-)	Block, Cylinder with Crank, Pistons, Rings, etc.	1
2		86BM-6010-CA	(000000-)	Block, Cylinder	1
3	36265	D8RZ-6026-B	(000000-)	Plug	2
4	36267	D8RZ-6026-A	(000000-)	Plug	1
5	36272	353055-S7	(000000-)	Plug, Water Drain	1
6	36276	D1FZ-6345-A	(000000-)	Bolt, Main Bearing Cap	10
7		77BM-6055-AA	(000000-)	Liner, Cylinder	4
8		87837-S	(000000-)	Plug, Oil Gallery	3
9	36273	E890100-S	(000000-)	Plug, Ball, Oil Gallery	1
10	36274	D8RZ-6767-A	(000000-)	Adapter	1

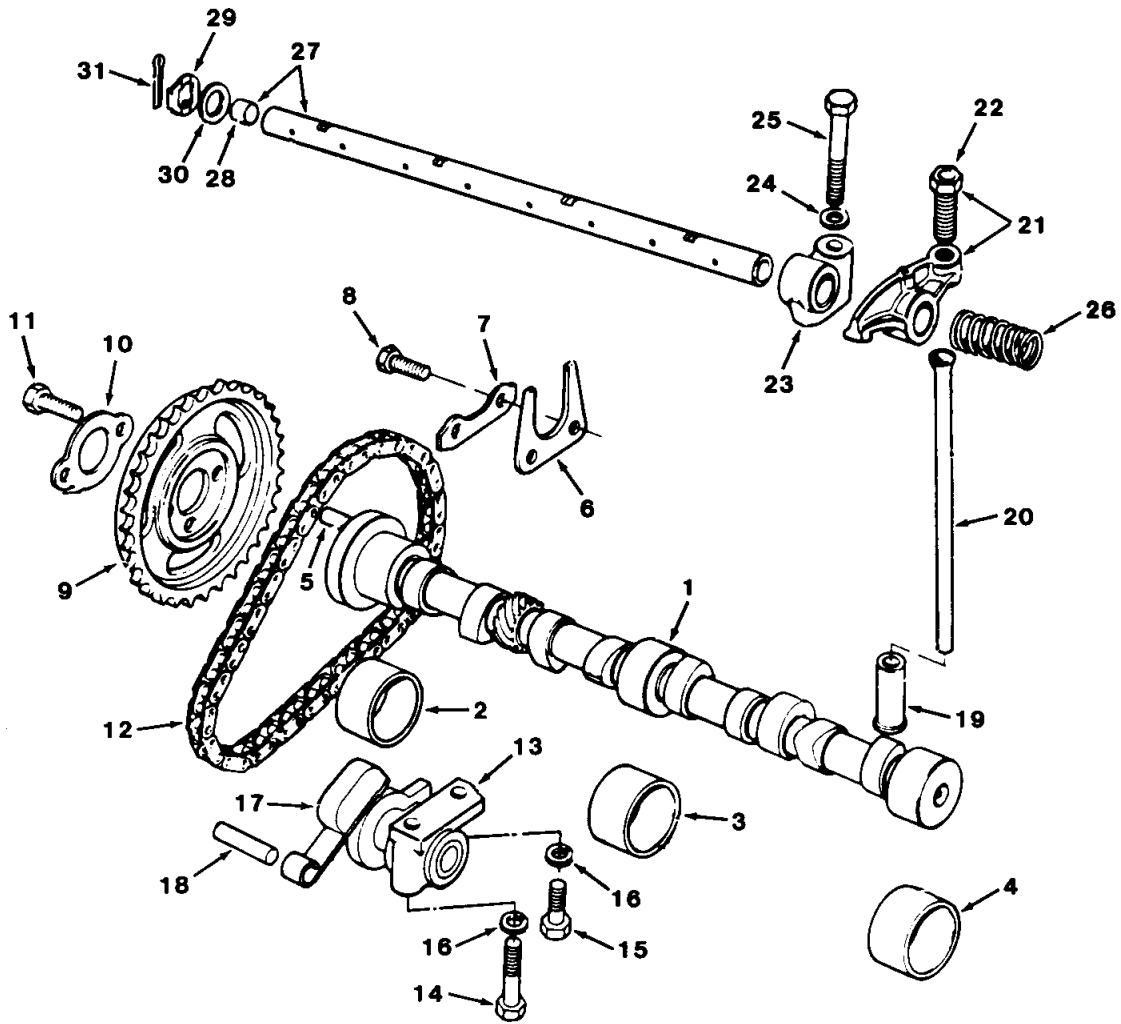


Fig. 3 - Camshaft Group

Fig. 3 – Camshaft Group

Key	TENNANT Part No.	Ford Part Number	Engine Serial Number	Description	Qty.
1		86BM-6250-BA	(000000-)	Camshaft	1
2	37316	D0RY-6261-A	(000000-)	Bearing, Camshaft Front, Std. ID – Std. O.D.	1
2	37317	D0RY-6261-B	(000000-)	Bearing, Camshaft Front, Std. ID + 0.020" O.D.	As Req.
3	37306	D0RY-6262-A	(000000-)	Bearing, Camshaft Center, Std. ID – Std. O.D.	1
3	38242	D0RY-6262-B	(000000-)	Bearing, Camshaft Center, Std. ID + 0.020" O.D.	As Req.
4	37306	D0RY-6262-A	(000000-)	Bearing, Camshaft Rear, Std. ID – Std. O.D.	1
4	38242	D0RY-6262-B	(000000-)	Bearing, Camshaft Rear, Std. ID + 0.020" O.D.	As Req.
5	36341	D0RY-6253-A	(000000-)	Dowel, Cam Sprocket to Camshaft	1
6	36342	D0RY-6269-A	(000000-)	Plate, Camshaft Thrust	1
7	36343	D0RY-6255-A	(000000-)	Retainer, Camshaft Thrust Plate	1
8	36344	E602166-S72	(000000-)	Bolt, M6 x 16, Thrust Plate to Block	2
9	36345	77BM-6256-AA	(000000-)	Sprocket, Camshaft	1
10	36348	D0RY-6258-A	(000000-)	Retainer, Camshaft Sprocket	1
11	36349	E602351-S72	(000000-)	Bolt, M8 x 16, Sprocket to Camshaft	2
12	37307	D0RY-6268-A	(000000-)	Chain, Timing	1
13	37337	D1FZ-6284-A	(000000-)	Tensioner, Timing Chain	1
14	36372	E600116-S72	(000000-)	Bolt, M6 x 55, Tensioner to Block	1
15	36344	E602166-S72	(000000-)	Bolt, M6 x 16 – Tensioner to Block	1
16	36373	34805-S8	(000000-)	Washer, Lock, B6, Tensioner Bolts	2
17	36374	77BM-6K255-AB	(000000-)	Arm, Tensioner	1
18	37694	D1FZ-6286-A	(000000-)	Pin, Tensioner Arm	1
19		D1FZ-6500-A	(000000-)	Tappet Assembly, Std.	8
19		711F-6500-DA	(000000-)	Tappet Assembly, 0.004" O/S	As Req.
20		86BM-6565-AC	(000000-)	Rod, Valve Push	8
21		77BM-6529-AB	(000000-)	Arm, Valve Rocker, Right, with Screw	4
		77BM-6K528-AB	(000000-)	Arm, Valve Rocker, Left, with Screw	4
22	37693	D0RY-6549-B	(000000-)	Screw, Adjusting, Self-Locking	8
23	36384	77BM-6531-BB	(000000-)	Support, Rocker Arm Shaft	4
24	36389	E630031-S101	(000000-)	Washer, B10 x 20 x 2.5	4
25		E600314-S72	(000000-)	Bolt, Rocker Support, M10 x 45	4
26	36402	D0RY-6587-A	(000000-)	Spring, Locating	3
27	36405	77BM-6A557-BB	(000000-)	Shaft Assembly, Rocker Arm	1
28	36406	D1FZ-6026-E	(000000-)	Plug, Rocker Arm Shaft	2
29	36407	77BM-6598-AB	(000000-)	Washer, Spring	2
30	36408	116106-ES10	(000000-)	Washer, Flat	2
31	36409	72025-S7	(000000-)	Pin, Cotter	2

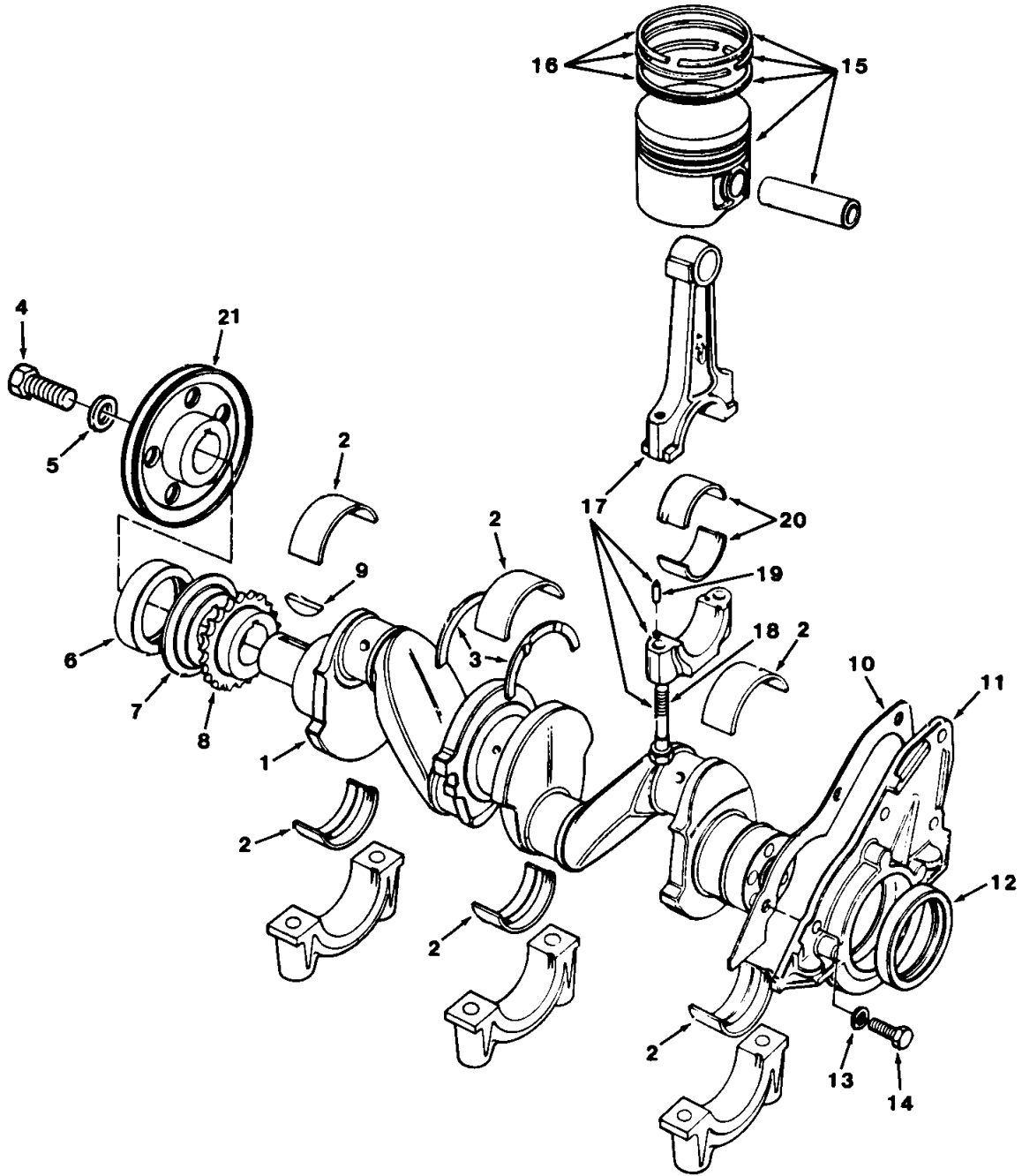


Fig. 4 – Crankshaft and Piston Group

Fig. 4 – Crankshaft and Piston Group

Key	TENNANT Part No.	Ford Part Number	Engine Serial Number	Description	Qty.
1		86BM-6303-AA	(000000-) Crankshaft Assembly	1
2		77BM-6333-BAA	(000000-) Main Bearing Half, Crankshaft, Std. O/D Std. ID	6
2		77BM-6333-BJA	(000000-) Main Bearing Half, Crankshaft, Std. O/D 0.005" U/S ID	6
2		77BM-6333-BBA	(000000-) Main Bearing Half, Crankshaft, Std. O/D 0.010" U/S ID	6
2		77BM-6333-BDA	(000000-) Main Bearing Half, Crankshaft, Std. O/D 0.020" U/S ID	6
2		77BM-6333-BEA	(000000-) Main Bearing Half, Crankshaft, Std. O/D 0.030" U/S ID	6
2		77BM-6333-BCA	(000000-) Main Bearing Half, Crankshaft, 0.15" O/S O/D Std. ID	6
2		77BM-6333-BFA	(000000-) Main Bearing Half, Crankshaft, 0.015" O/S O/D 0.010" U/S ID	6
2		77BM-6333-BGA	(000000-) Main Bearing Half, Crankshaft, 0.015" O/S O/D 0.020" U/S ID	6
2		77BM-6333-BHA	(000000-) Main Bearing Half, Crankshaft, 0.015" U/S O/D 0.030" U/S ID	6
3		77BM-6A341-AA	(000000-) Washer, Main Bearing Thrust Std.	2
4	07706	77BM-6A341-BA	(000000-) Washer, Main Bearing Thrust 0.015" O/S	As Req.
4		E800334-S76	(000000-) Bolt, Pulley to Crankshaft, M12 x 35	1
5	07707	E830135-S76	(000000-) Washer, Pulley to Crankshaft, B12	1
6	36257	83BM-6700-A4A	(000000-) Seal, Timing Cover	1
7	36424	D8RZ-6310-A	(000000-) Slinger, Oil	1
8	37321	D0RY-6306-A	(000000-) Sprocket, Crankshaft	1
9	37312	D0RY-6B316-A	(000000-) Key, Woodruff	1
10		86BM-6344-AA	(000000-) Gasket, Rear Oil Seal Retainer	1
11	36430	86BM-6K318-AA	(000000-) Retainer Assembly, Rear	1
12		83AM-6701-A1A	(000000-) Seal, Rear	1
13	36431	E630173-S71M	(000000-) Washer, Lock, B8	4
14	37181	E602187-S82	(000000-) Bolt, M8 x 20	4
15		86BM-6102-AC	(000000-) Piston, Pin And Ring Assembly, Std.	4
15		86BM-6102-BC	(000000-) Piston, Pin And Ring Assembly 0.020" O/S	As Req.
15		86BM-6102-CC	(000000-) Piston, Pin And Ring Assembly 0.040" O/S	As Req.
16	36450	84BM-6148-DA	(000000-) Ring Set, Piston, Std.	4
16	36451	84BM-6148-EA	(000000-) Ring Set, Piston, 0.020" O/S	As Req.
16	36452	84BM-6148-FA	(000000-) Ring Set, Piston, 0.040" O/S	As Req.
17	36453	86BM-6200-AA	(000000-) Rod Assembly, Connecting	4
18		77BM-6214-AA	(000000-) Bolt, Connecting Rod	8
19		116336-ES100	(000000-) Dowel Pin, Connecting Rod	8
20		81SM-6211-AA	(000000-) Bearing Half, Connecting Rod, Std.	8
20		81SM-6211-FA	(000000-) Bearing Half, Connecting Rod, 0.001" U/S	8
20		81SM-6211-BA	(000000-) Bearing Half, Connecting Rod, 0.010" U/S	8
20		81SM-6211-CA	(000000-) Bearing Half, Connecting Rod, 0.020" U/S	8
20		81SM-6211-DA	(000000-) Bearing Half, Connecting Rod, 0.030" U/S	8
20		81SM-6211-EA	(000000-) Bearing Half, Connecting Rod, 0.040" U/S	8
21		80BM-6312-AA	(000000-) Pulley, Crankshaft	1

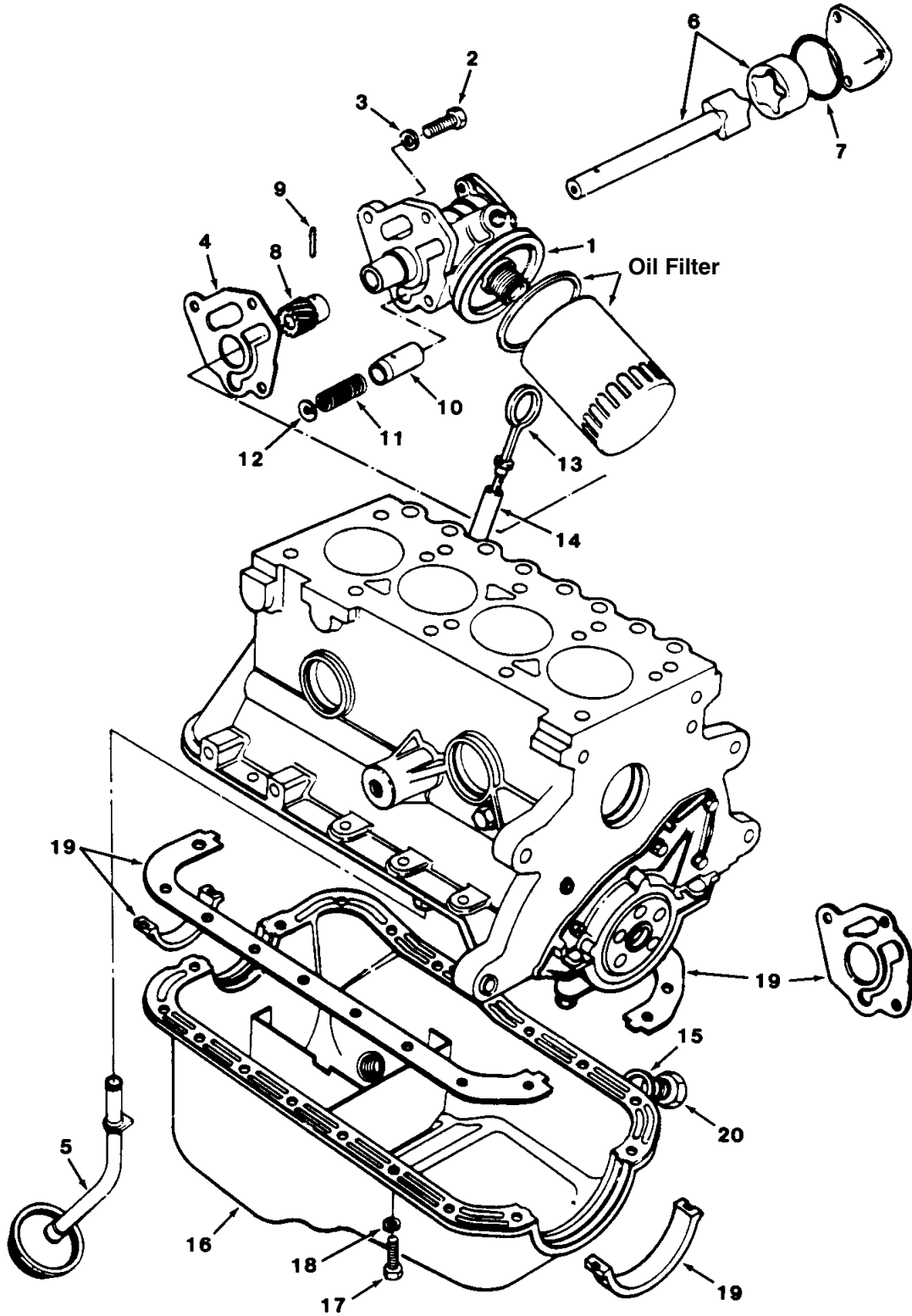


Fig. 5 – Oil Pump and Oil Pan Group

NOTE: To identify parts shown but not listed here, see Section 5, Standard Model Parts.

Fig. 5 – Oil Pump and Oil Pan Group

Key	TENNANT Part No.	Ford Part Number	Engine Serial Number	Description	Qty.
1	07710	D8RZ-6600-A	(000000-)	Pump, Oil	1
2		E602188-S72	(000000-)	Bolt, M8 x 25	3
3	36431	E630173-S71M	(000000-)	Washer, B8 Lock	3
4	37341	D1FZ-6659-A	(000000-)	Gasket, Oil Pump to Block	1
5		77BM-6617-AD	(000000-)	Tube Assembly, Oil Pickup	1
6	10075	D1FZ-6608-B	(000000-)	Rotor And Shaft	1
7	37403	116682-ES	(000000-)	Seal, Cover Plate	1
8	36780	D0RY-6652-A	(000000-)	Gear, Oil Pump Drive	1
9	36867	72432-S	(000000-)	Pin, Drive Gear	1
10	36881	D0RY-6674-A	(000000-)	Plunger, Oil Pump Relief Valve	1
11	36904	D0RY-6670-A	(000000-)	Spring, Oil Pump Relief Valve	1
12	36923	D0RY-6666-A	(000000-)	Plug, Oil Pump Relief Valve	1
13	10790	D8RZ-6750-A	(000000-)	Indicator, Oil Level	1
14	10791	77BM-6784-AC	(000000-)	Tube, Oil Level Indicator	1
15	37157	E0FZ-6734-A	(000000-)	Gasket, Oil Drain Plug	1
16		86BM-6675-AA	(000000-)	Oil Pan	1
17	37099	E602165-S72	(000000-)	Bolt, Oil Pan, M6 x 14	18
18	36373	34805-S8	(000000-)	Washer, 0.25" Lock	18
19	10806	A85OX-6013-AA	(000000-)	Gasket Kit, Oil Pan	1
20	37127	E0FZ-6730-B	(000000-)	Plug, Oil Drain	1

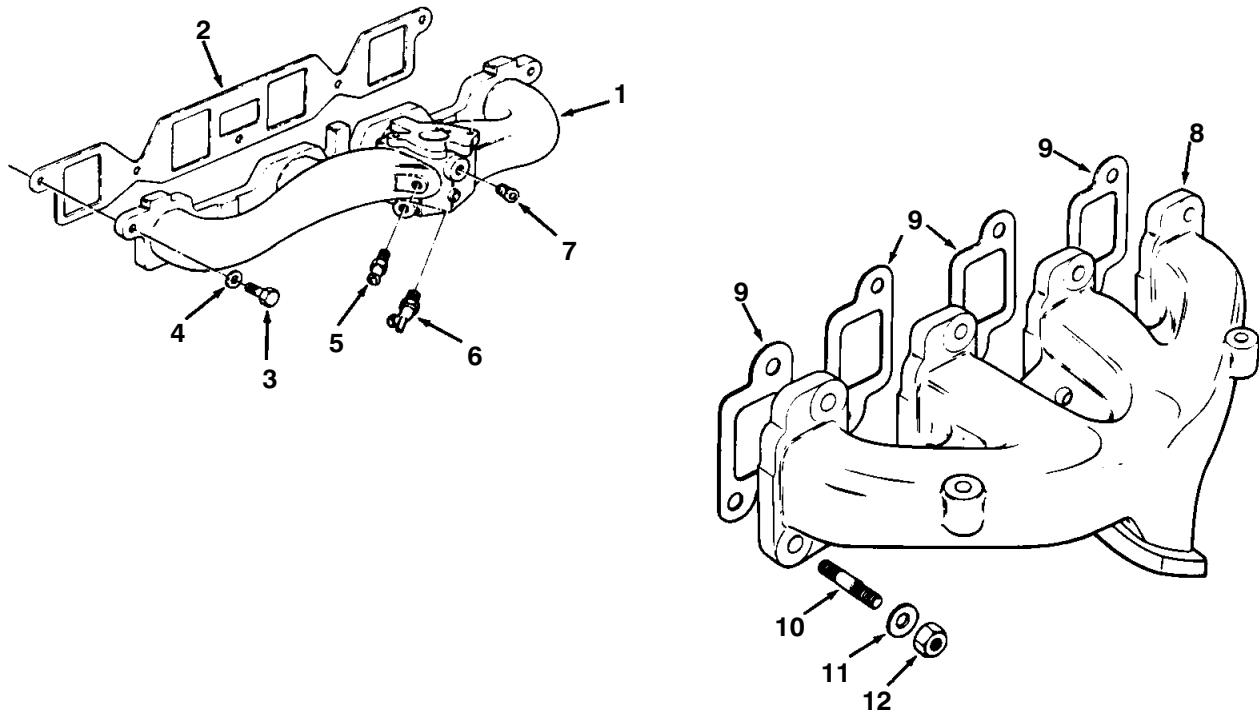


Fig. 6 – Intake and Exhaust Manifold Group

03930

Key	TENNANT Part No.	Ford Part Number	Engine Serial Number	Description	Qty.
1		86BF-9425-FB	(000000-)	Manifold, Intake	1
2	07714	77BM-9441-DA	(000000-)	Gasket, Intake Manifold	1
3		E602188-S72	(000000-)	Bolt, Intake Manifold to Cylinder Head	5
4		E630173-S71	(000000-)	Washer, Lock, Intake Manifold to Cylinder Head	5
5		377665-S7-8	(000000-)	Adapter, 0.38"-18	1
6		72EG-2A411-BA	(000000-)	Connector, 0.25"-18	1
7		87837-S	(000000-)	Plug, 0.25"-18	As Req.
8		84BF-9430-BA	(000000-)	Manifold, Exhaust	1
9	07708	77BM-9448-EA	(000000-)	Gasket, Exhaust Manifold	4
10		E804627-S76	(000000-)	Stud, Exhaust Manifold to Cylinder Head	8
11	38034	120907-ES8	(000000-)	Washer, Manifold to Cylinder Head	8
12		E620433-S72	(000000-)	Nut, Manifold to Cylinder Head	8

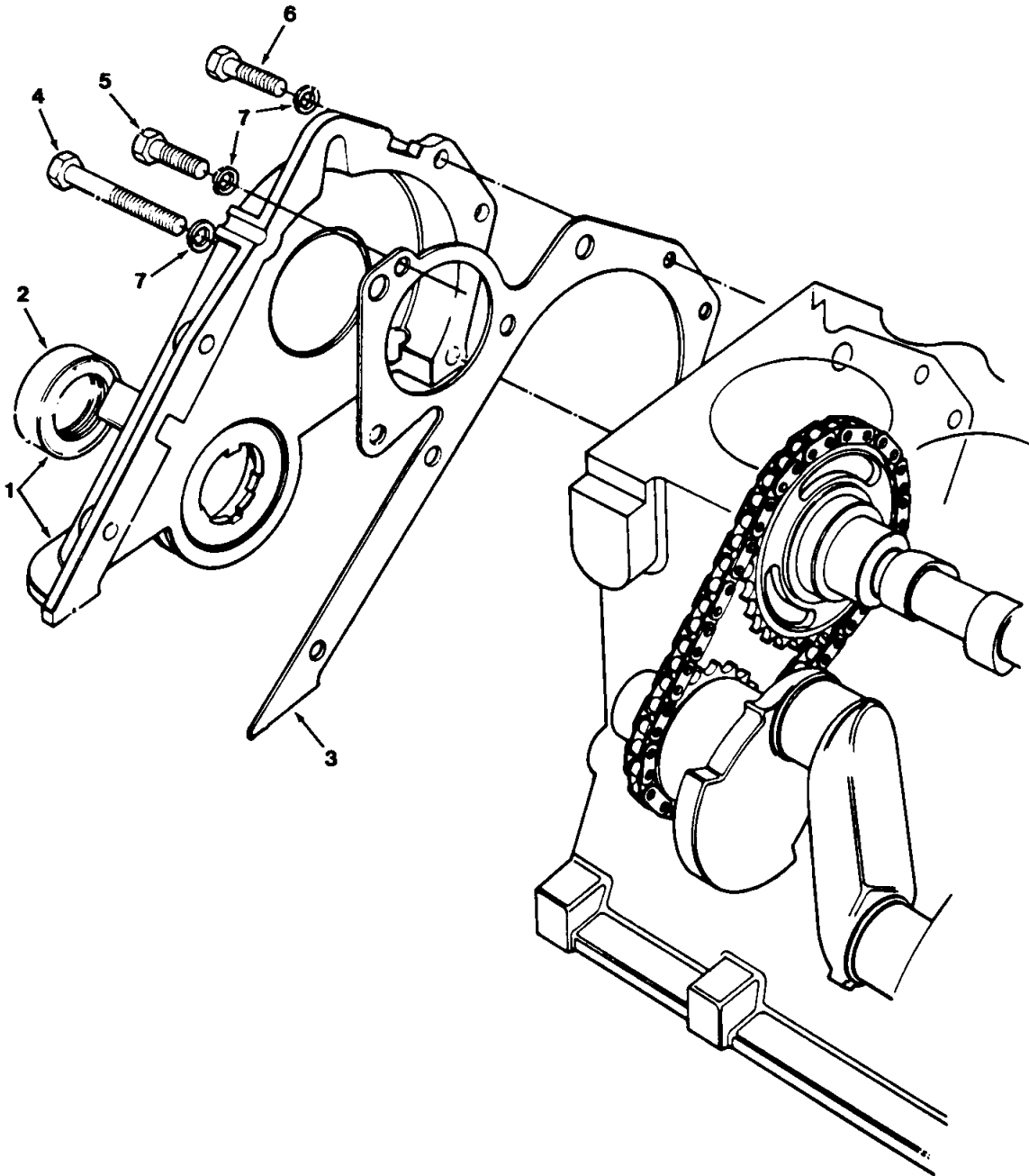


Fig. 7 – Front Cover Group

03931

Key	TENNANT Part No.	Ford Part Number	Engine Serial Number	Description	Qty.
1		77BM-6059-AE	(000000-)	Cover and Seal Assembly, Cylinder Front	1
2	36333	83BM-6700-A3A	(000000-)	Seal, Front Cover	1
3		D8RZ-6020-A	(000000-)	Gasket, Cylinder Front Cover	1
4		E600115-S72	(000000-)	Bolt, M6 x 50, Front Cover to Block	1
5		E600113-S72	(000000-)	Bolt, M6 x 40, Front Cover and Water Pump to Block	3
6		E602167-S71	(000000-)	Bolt, M6 x 20, Front Cover to Block	4
7	36339	E630152-S71	(000000-)	Washer, Lock, B6	8

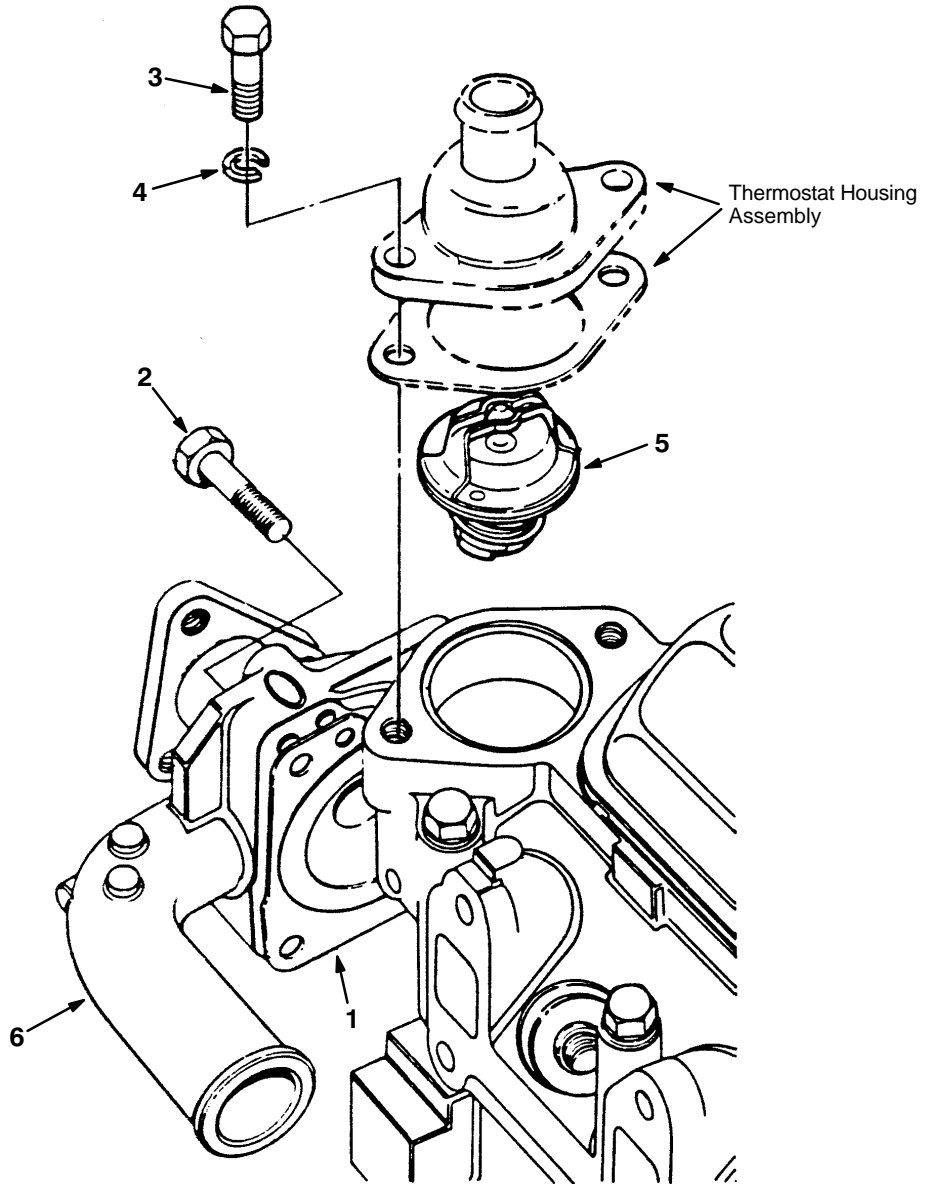


Fig. 8 – Water Pump Group

NOTE: To identify parts shown but not listed here, see Section 5, Standard Model Parts.

Fig. 8 – Water Pump Group

Key	TENNANT Part No.	Ford Part Number	Engine Serial Number	Description	Qty.
1	07713	D8RZ-8507-A	(000000-)	Gasket, Water Pump	1
2		E600113-S72	(000000-)	Bolt, Water Pump to Block	3
3	37181	E602187-S82	(000000-)	Bolt, Water Outlet Connection to Cylinder Head, M8 x 20	2
4	36431	E630173-S71M	(000000-)	Washer, Lock, Water Outlet Connection Bolt, B8	2
5	37327	C5TE-8575-B	(000000-)	Thermostat, 180°	1
6	07712	D8RZ-8501-A	(000000-)	Water Pump	1

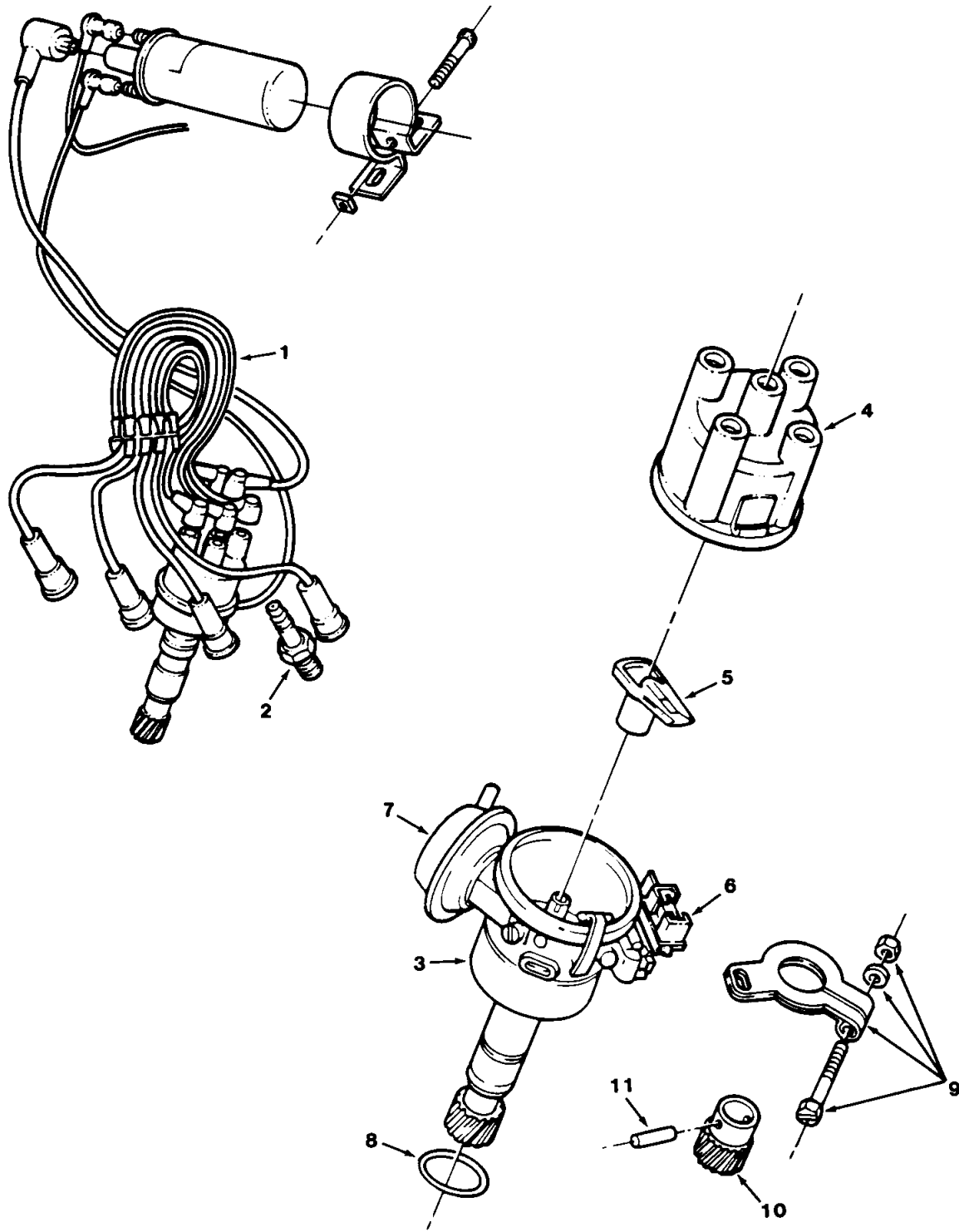


Fig. 9 – Distributor Group

NOTE: To identify parts shown but not listed here, see Section 5, Standard Model Parts.

Fig. 9 – Distributor Group

Key	TENNANT Part No.	Ford Part Number	Engine Serial Number	Description	Qty.
1	10802	86BF-12286-AB	(000000-)	Wire, Spark Plug No.1	1
1	10803	86BF-12283-AB	(000000-)	Wire, Spark Plug No.2	1
1	10804	86BF-12284-AB	(000000-)	Wire, Spark Plug No.3	1
1	10805	86BF-12287-AB	(000000-)	Wire, Spark Plug No.4	1
2	07764	AGRF-22	(000000-)	Spark Plug	4
3	07770	86BF-12100-FA	(000000-)	Distributor, Complete	1
4	58507	72HF-12106-AA	(000000-)	Cap, Distributor	1
5	58508		(000000-)	Rotor	1
6		86BF-12K062-AA	(000000-)	Module, Ignition	1
7		86BF-12370-CA	(000000-)	Diaphragm, Vacuum Advance	1
8		D1RY-12143-A	(000000-)	Seal	1
9		77BF-12273-AA	(000000-)	Clamp Assembly	1
10		C6AH-12390-B	(000000-)	Gear	1
11		67555-S	(000000-)	Pin	1

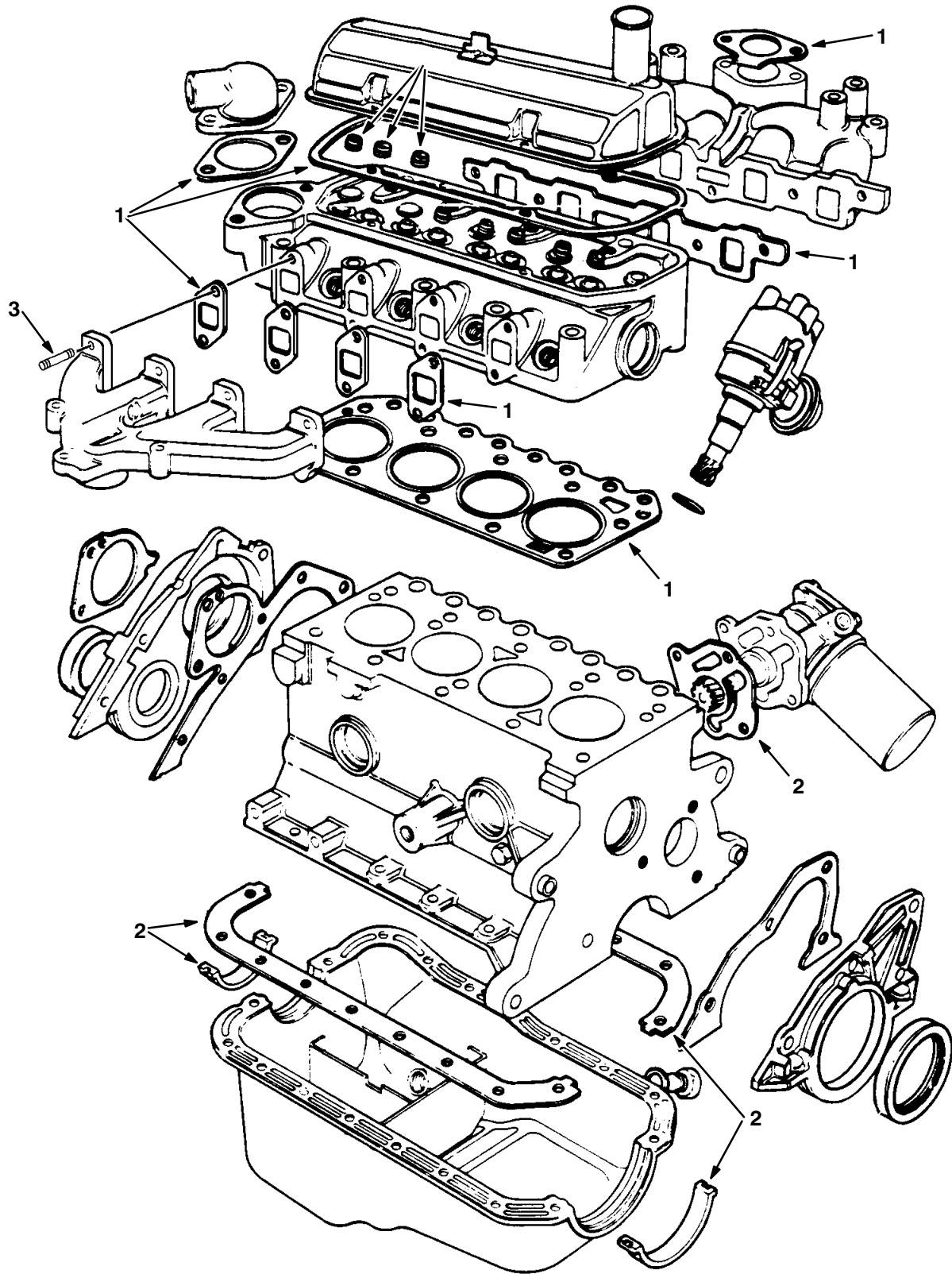


Fig. 10 – Gaskets Group

NOTE: To identify parts shown but not listed here, see Section 5, Standard Model Parts.

Fig. 10 – Gaskets Group

Key	TENNANT Part No.	Ford Part Number	Engine Serial Number	Description	Qty.
1		A85OX-6014-KNA	(000000-)	Gasket Kit, Upper	1
2	10806	A85OX-6013-AA	(000000-)	Gasket Kit, Lower	1
3	30327		(000000-)	Stud	8

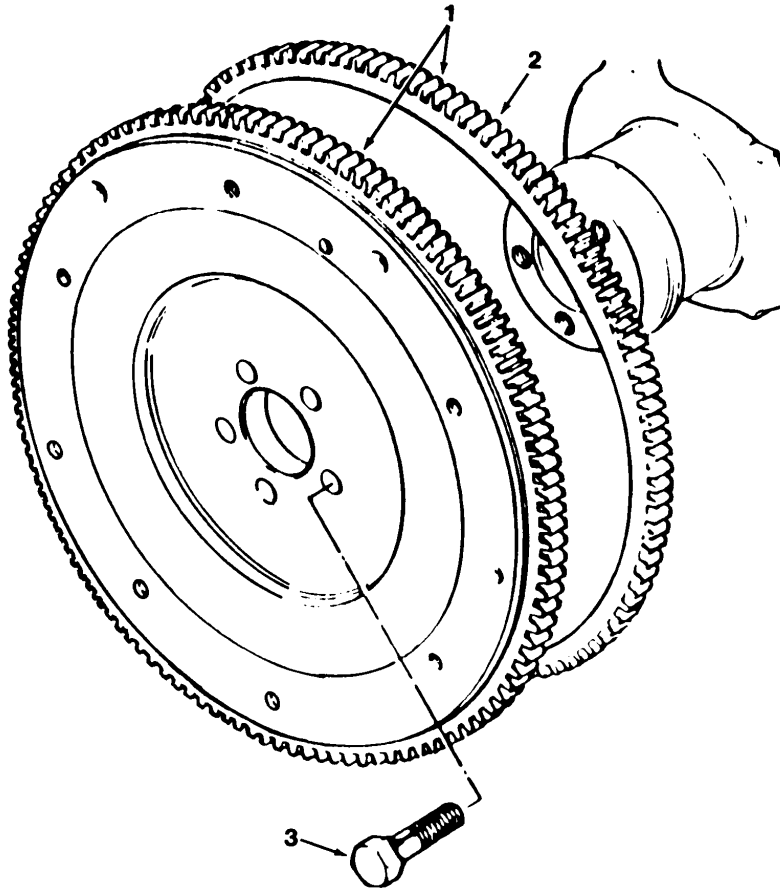


Fig. 11 – Flywheel Group

03933

Key	TENNANT Part No.	Ford Part Number	Engine Serial Number	Description	Qty.
1	84FM-6375-AB	(000000-))	Flywheel And Ring Gear Assembly	1
2	D8RZ-6384-A	(000000-))	Ring Gear, Flywheel	1
3	388156-GS	(000000-))	Bolt, Flywheel to Crankshaft, M10 x 22.5	5

SECTION 13**CONTENTS**

	Page
ORDERING REPAIR PARTS	13-3
Fig. 1 – Cylinder Head, Valves Group	13-4
Fig. 2 – Cylinder Block Group	13-6
Fig. 3 – Camshaft and Valve Control Group ..	13-8
Fig. 4 – Crankshaft and Piston Group	13-10
Fig. 5 – Oil Pump and Oil Pan Group	13-12
Fig. 6 – Intake Manifold Group	13-14
Fig. 7 – Front Cover Assembly Group	13-15
Fig. 8 – Water Pump Group	13-16
Fig. 9 – Distributorless Ignition Group	13-17
Fig. 10 – Gaskets Group	13-18
Fig. 11 – Flywheel Group	13-19

NOTE: SECTION 13, ENGINE PARTS, DIS, GASOLINE, LPG, lists repair parts for Distributorless (DIS) Gasoline and LPG Engines, TENNANT Part No. 30296, for machines with serial number 031000 and above.

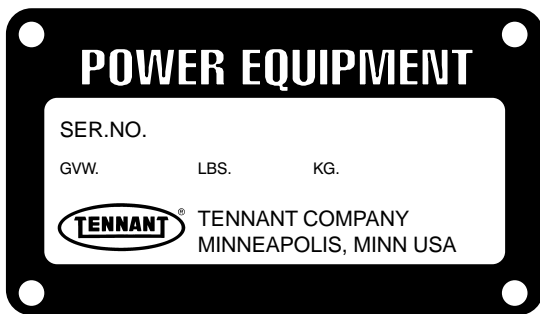
ORDERING REPAIR PARTS

The components used in this machine have been carefully selected for performance and safety. Use only Tennant Company specified or equivalent parts.

To receive prompt service in filling of your parts orders, please direct all orders for parts with Tennant Company part numbers to the Tennant Company, and all orders for parts with vendor part numbers to the local supplier of the respective vendor.

When ordering parts, please furnish all of the following information:

1. Machine model number - shown on the machine data plate.



2. Machine serial number - shown on the machine data plate.
3. Power source - gasoline, LPG, diesel, electric.
4. Company name.
5. Shipping address.
6. Billing address.
7. Name, first and last - of person ordering parts.
8. Telephone number.
9. Purchase order number.
10. Part number, description, and quantity - of each item on the order.
11. Customer ID Number.

Do not order parts by key number or the figure number of the illustrated parts. Indented items indicate parts of assemblies. Standard hardware is furnished only when part of a purchased assembly. Please get hardware from a local hardware supplier.

If the old part cannot be identified, send it to us with the quantity needed specified on the order.

Any claim for loss or damage to a shipment in transit should be filed promptly against the transportation company making the delivery. Shipments will be complete unless the packing list or order acknowledgement indicate items back ordered.

If parts received are suspected to be incorrect or defective, please write, wire, or phone the Tennant Company representative from whom you ordered the part. They will give authorization for return and/or handle replacement shipments when required.

SERIAL NUMBER INFORMATION EXPLANATION

Serial number listings are shown to indicate on which machines each part can be used. These listings are explained by the following examples:

(000000-) The part can be used on all machines.

(003342-) The part can be used on all machines beginning with the serial number listed.

(000000-004320) The part can be used on all machines up to and including serial number listed.

(004321-005678) The part can be used on all machines between and including the serial numbers listed.

Where xxxxxx's are listed in place of a serial number, it indicates a change was made but the exact serial number had not been established when the catalog went to press.

SI UNITS OF MEASURE (INTERNATIONAL SYSTEM)

Metric equivalents have been included, where applicable, throughout this parts catalog.

FASTENER STRENGTH IDENTIFICATION

Fasteners required to have high-strength qualities equivalent to SAE Grade 8 are identified throughout this catalog by the description GR 8. Unless identified by this description, all standard fasteners are SAE Grade 5.

(Specifications and design subject to change without notice.)

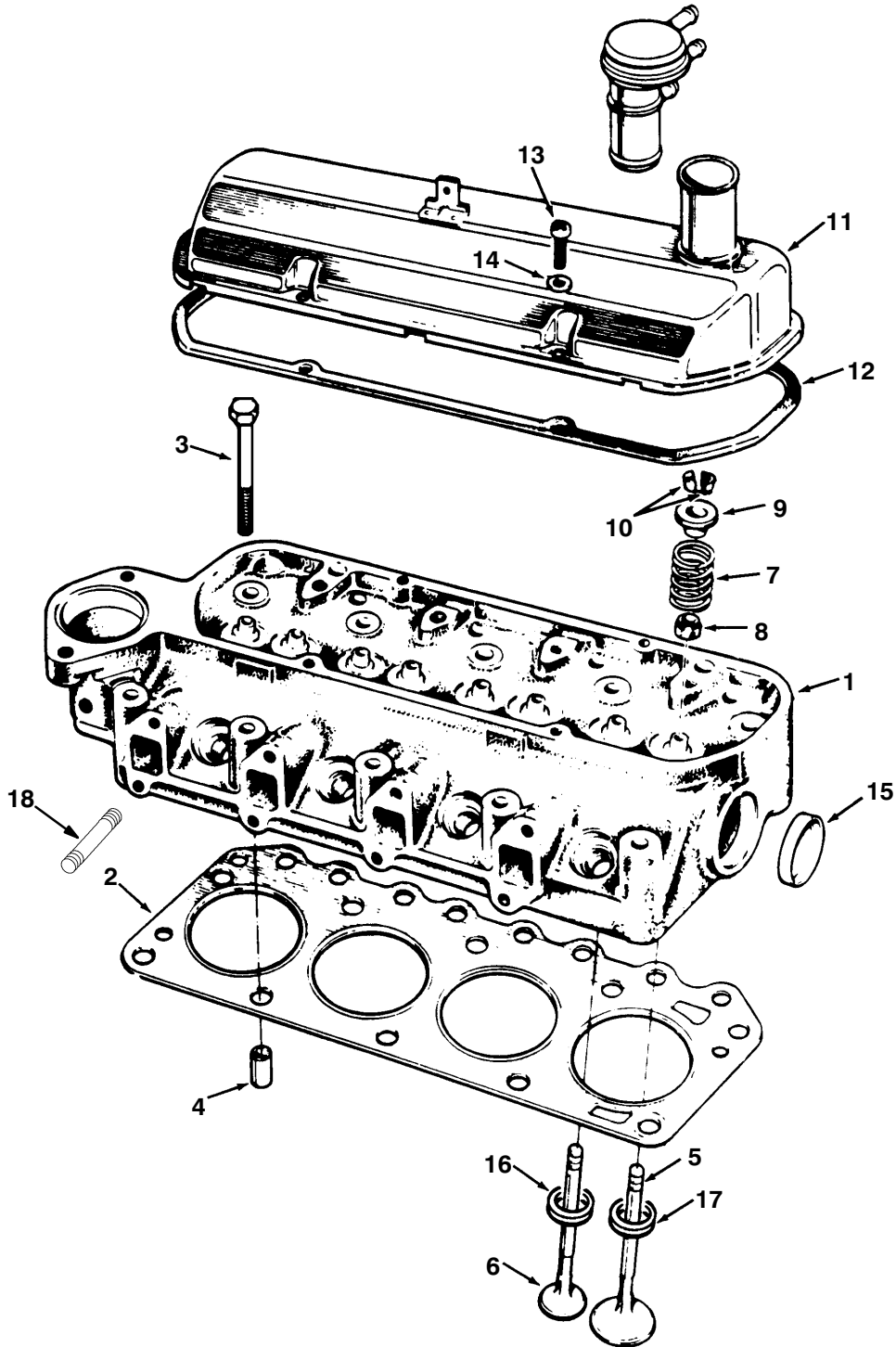


Fig. 1 – Cylinder Head, Valves Group

NOTE: To identify parts shown but not listed here, see SECTION 5, STANDARD MODEL PARTS.

Fig. 1 – Cylinder Head, Valves Group

Key	TENNANT Ford Part No.	Part Number	Engine Serial Number	Description	Qty.
1	36279	89BM-6049-DD	(000000-)	Head Assembly, Cylinder	1
2	36281	89BM-6051-C1C	(000000-)	Gasket, Cylinder Head	1
3	36297	89BM-6065-DA	(000000-)	Bolt, Cylinder Head	10
4	36298	E840126-S	(000000-)	Dowel, Cylinder Head to Block	2
5	36300	89BM-6507-BA	(000000-)	Valve, Intake, Std	4
5	36303	89BM-6507-BC	(000000-)	Valve, Intake, 0.40 mm O/S	As Req.
6	36306	89BM-6505-BC	(000000-)	Valve, Exhaust, 0.40 mm O/S	As Req.
6	36307	89BM-6505-CA	(000000-)	Valve, Exhaust, Std	4
7	36315	89BM-6513-AA	(000000-)	Spring, Valve	8
8		88WM-6571-BB	(000000-)	Seal, Valve Stem	8
9	36318	89BM-6A536-AA	(000000-)	Retainer	8
10	36319	88WM-6518-AA	(000000-)	Lock, Valve Spring	16
11	36321	89BM-6582-AA	(000000-)	Cover, Rocker Arm	1
12	07705	77BM-6584-CA	(000000-)	Gasket, Rocker Arm Cover	1
13	36324	E800516-S72	(000000-)	Screw, Rocker Cover to Head	4
14	36325	118297-ES8	(000000-)	Washer, Flat, 6 mm,	4
15	36265	D8RZ-6026-B	(000000-)	Plug	1
16	36330	89BM-6057-A2E	(000000-)	Insert, Exhaust Valve Seat	4
17	36331	89BM-6056-A1G	(000000-)	Insert, Intake Valve Seat	4
18	30327		(000000-)	Stud	8

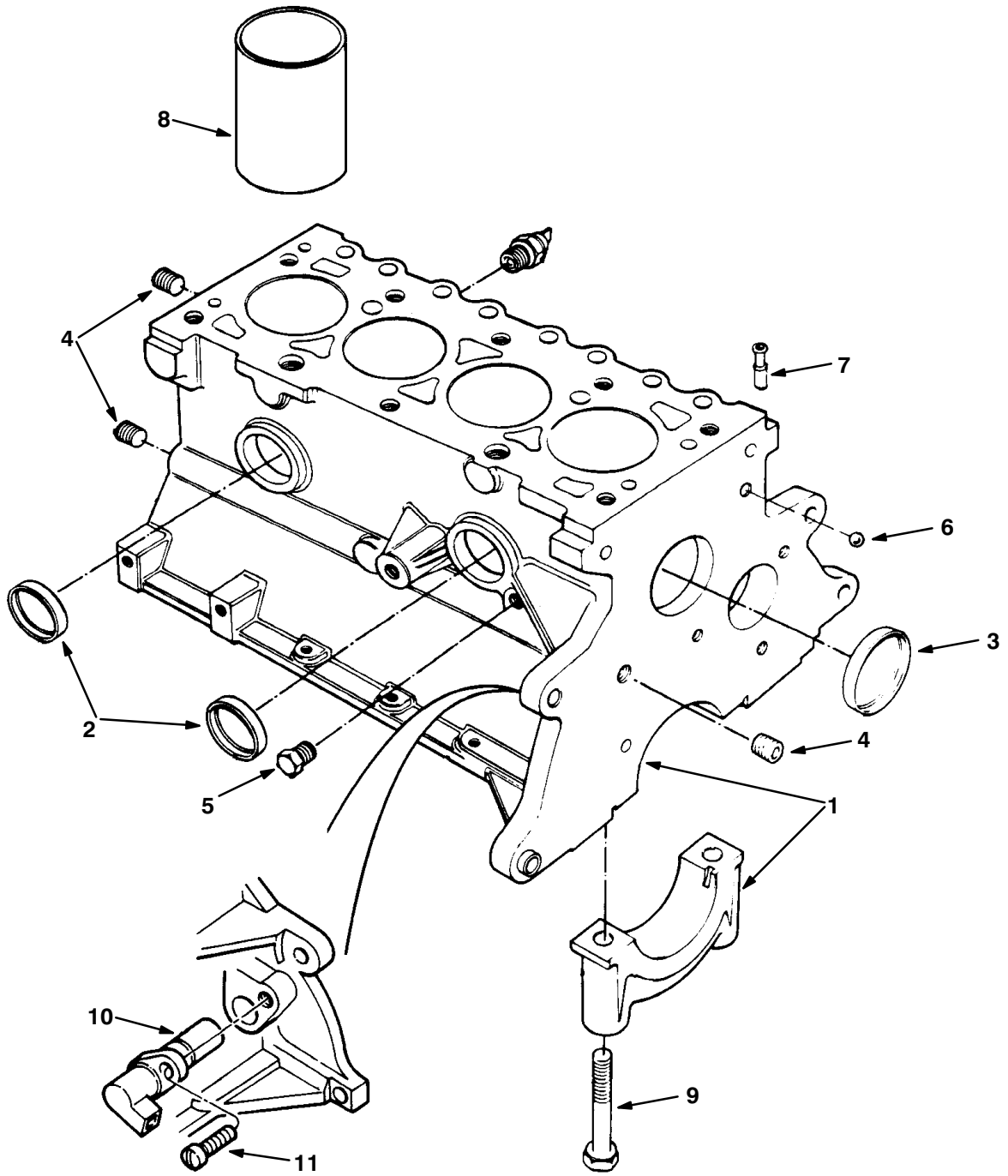


Fig. 2 – Cylinder Block Group

NOTE: To identify parts shown but not listed here, see SECTION 5, STANDARD MODEL PARTS.

Fig. 2 – Cylinder Block Group

Key	TENNANT Ford Part No.	Part Number	Engine Serial Number	Description	Qty.
1	36264	89BM-6011-DA	(000000-) Block, Cylinder, With Crank, Pistons, Rings, etc.	1
	36263	89BM-6010-FA	(000000-) Block, Cylinder	1
2	36265	D8RZ-6026-B	(000000-) Plug	2
3	36267	D8RZ-6026-A	(000000-) Plug	1
4	36268	87837-S	(000000-) Plug, 1/4 NPT	3
5	36272	353055-S7	(000000-) Plug, 1/4 NPT	1
6	36273	E890100-S	(000000-) Plug, Ball, Oil Gallery	1
7	36274	D8RZ-6767-A	(000000-) Adapter	1
8	36275	89BM-6055-BA	(000000-) Liner, Cylinder	As Req.
9	36276	D1FZ-6345-A	(000000-) Bolt, Main Bearing Cap	10
10	36277	89BF-6C315-AA	(000000-) Transducer	1
11	36278	E802666-S72	(000000-) Screw, M6 x 14	1

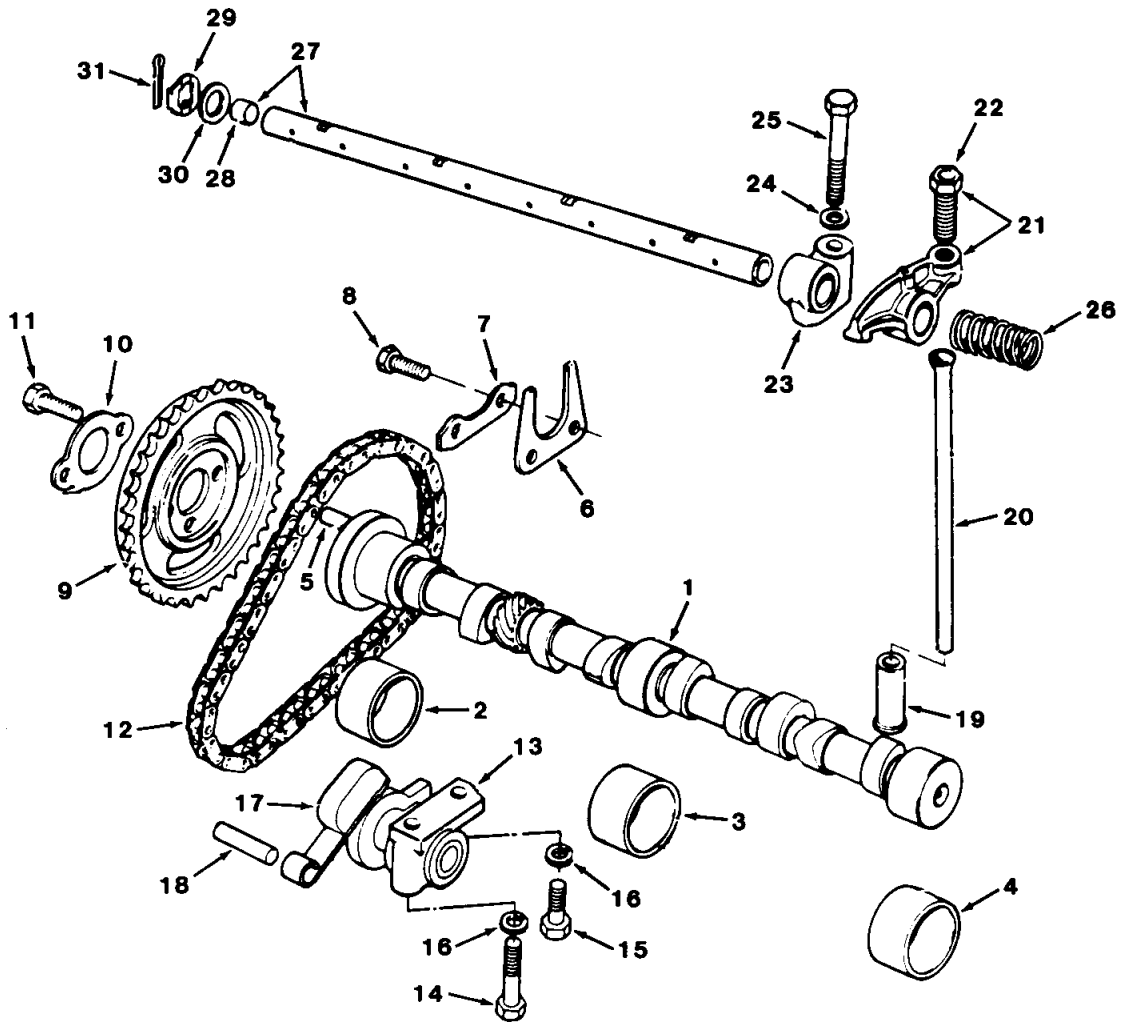


Fig. 3 – Camshaft and Valve Control Group

Fig. 3 – Camshaft and Valve Control Group

Key	TENNANT Ford Part No.	Part Number	Engine Serial Number	Description	Qty.
1	36340	89BM-6251-BA	(000000-)	Camshaft	1
2	37316	DORY-6261-A	(000000-)	Bearing, Std ID – Std OD	1
2	37317	DORY-6261-B	(000000-)	Bearing, Std ID + 0.020 OD	As Req.
3	37306	DORY-6262-A	(000000-)	Bearing, Std ID – Std OD	1
3	38242	DORY-6262-B	(000000-)	Bearing, Std ID + 0.020 OD	As Req.
4	37306	DORY-6262-A	(000000-)	Bearing, Std ID – Std OD	1
4	38242	DORY-6262-B	(000000-)	Bearing, Std ID + 0.020 OD	As Req.
5	36341	DORY-6253-A	(000000-)	Dowel	1
6	36342	DORY-6269-A	(000000-)	Plate, Thrust	1
7	36343	DORY-6255-A	(000000-)	Retainer	1
8	36344	E602166-S72	(000000-)	Bolt, M6 x 16, Tensioner to Block	2
9	36345	77BM-6256-AA	(000000-)	Sprocket, Camshaft	1
10	36348	DORY-6258-A	(000000-)	Retainer	1
11	36349	E602351-S72	(000000-)	Bolt, M8 x 16	2
12	37307	DORY-6268-A	(000000-)	Chain	1
13	37337	D1FZ-6284-A	(000000-)	Tensioner	1
14	36372	E600116-S72	(000000-)	Bolt, M6 x 55, Tensioner to Block	1
15	36344	E602166-S72	(000000-)	Bolt, M6 x 16, Tensioner to Block	1
16	36373	34805-S8	(000000-)	Washer, 1/4 Lock	2
17	36374	77BM-6K255-AB	(000000-)	Arm, Tensioner	1
18	37694	D1FZ-6286-A	(000000-)	Pin	1
19	36375	89BM-6500-AA	(000000-)	Tappet, Std	8
20	36381	89BM-6565-AA	(000000-)	Rod, Valve Push	8
21	36382	89BM-6529-AB	(000000-)	Arm, Valve Rocker, Right, With Screw	4
21	36383	89BM-6K528-AB	(000000-)	Arm, Valve Rocker, Left, With Screw	4
22	37693	DORY-6549-B	(000000-)	Screw	8
23	36384	77BM-6531-BB	(000000-)	Support, Rocker Arm Shaft	4
24	36389	E630031-S101	(000000-)	Washer, B10 x 20 x 2.5	4
25	36390	E800509-S72	(000000-)	Bolt, Rocker Support	4
26	36402	DORY-6587-A	(000000-)	Spring, Locating	3
27	36405	77BM-6A557-BB	(000000-)	Shaft Assembly, Rocker Arm	1
28	36406	D1FZ-6026-E	(000000-)	Plug, Rocker Arm Shaft, 11 mm	2
29	36407	77BM-6598-AB	(000000-)	Washer, Spring	2
30	36408	116106-ES10	(000000-)	Washer, Flat	2
31	36409	72025-S7	(000000-)	Pin, Cotter, 2.3 mm	2

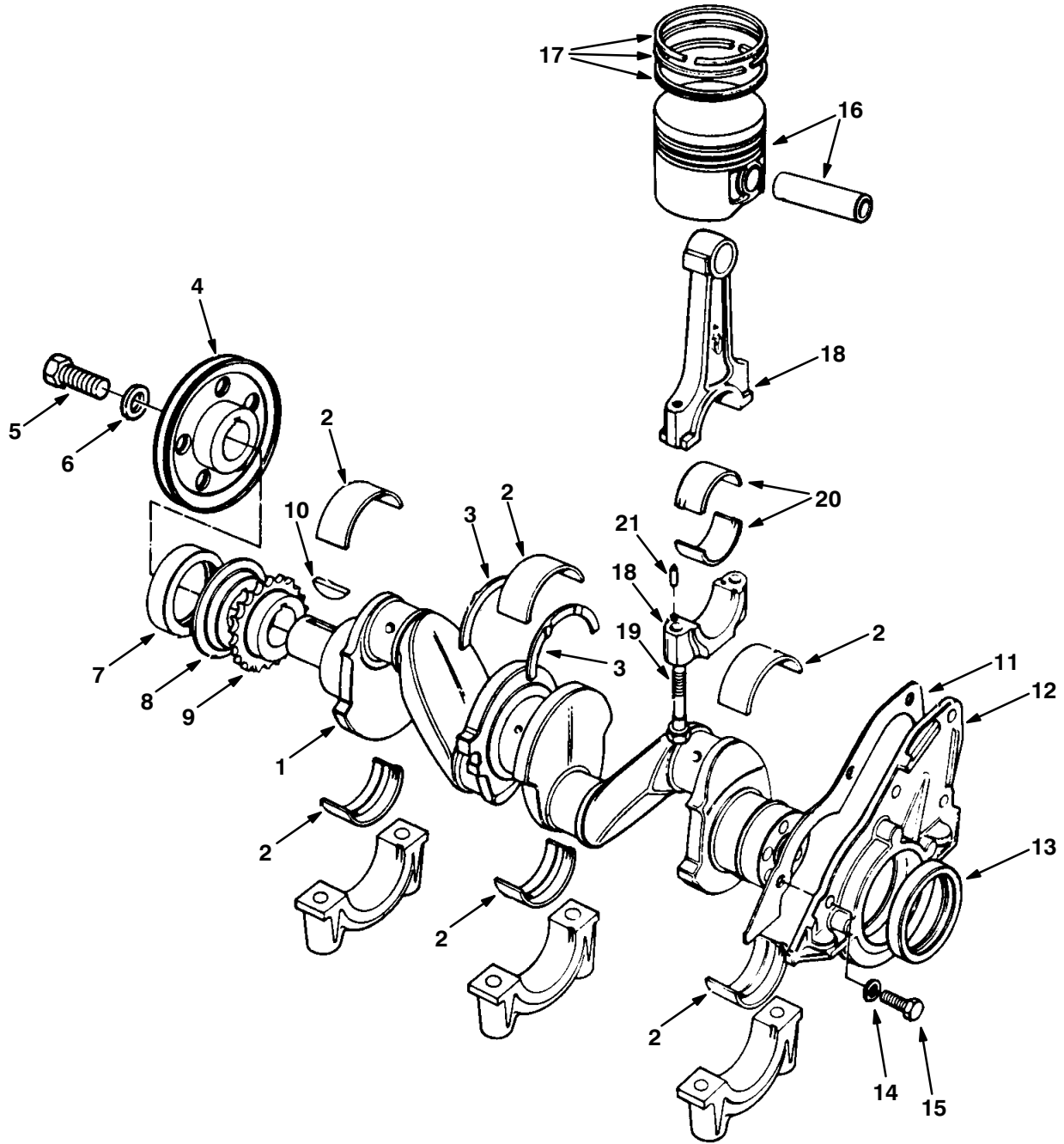


Fig. 4 – Crankshaft and Piston Group

Fig. 4 – Crankshaft and Piston Group

Key	TENNANT Part No.	Ford Part Number	Engine Serial Number	Description	Qty.
1	36322	89BM-6303-DA	(000000-	Crankshaft Assembly	1
2	36410	89BM-6333-AA	(000000-	Main Bearing Half, Crankshaft, Std OD, Std ID	5
2	36411	89BM-6333-BA	(000000-	Main Bearing, Crankshaft, Std OD, 0.005 US ID	10
2	36412	89BM-6333-CA	(000000-	Main Bearing Half, Crankshaft, Std OD, 0.010 US ID	10
2	36413	89BM-6333-DA	(000000-	Main Bearing Half, Crankshaft, 0.015 OS OD, Std ID	10
2	36414	89BM-6333-EA	(000000-	Main Bearing Half, Crankshaft, Std OD, 0.020 US ID	10
2	36415	89BM-6333-FA	(000000-	Main Bearing Half, Crankshaft, Std OD, 0.030 US ID	10
2	36416	89BM-6333-GA	(000000-	Main Bearing Half, Crankshaft, 0.015 OS OD, 0.010 US ID	10
2	36418	89BM-6333-HA	(000000-	Main Bearing Half, Crankshaft, 0.015 OS OD, 0.020 US ID	10
3	36419	89BM-6A341-AA	(000000-	Washer, Main Bearing Thrust, Std	2
3	36421	89BM-6A341-BA	(000000-	Washer, Main Bearing Thrust, 0.015 OS	As Req.
4	36422	89BM-6312-AA	(000000-	Pulley, Crankshaft, 1 Groove	1
5	36423	89BM-6K340-AA	(000000-	Bolt, Pulley to Crankshaft, M12 x 32	1
6	07707	E830135-S76	(000000-	Washer, Pulley to Crankshaft, B12	1
7	36257	83BM-6700-A4A	(000000-	Seal, Front Cover	1
8	36424	D8RZ-6310-A	(000000-	Slinger, Oil	1
9	37321	DORY-6306-A	(000000-	Sprocket	1
10	36429	DORY-6B316-A	(000000-	Key, Woodruff	1
11	36259	89BM-6344-BA	(000000-	Gasket, Rear Retainer	1
12	36430	86BM-6K318-AA	(000000-	Retainer Assembly, Rear	1
13	36262	D7RZ-6701-A	(000000-	Seal, Crankshaft Rear	1
14	36431	E630173-S71M	(000000-	Washer, B8 Lock	4
15	37181	E602187-S82	(000000-	Bolt, M8 x 20	4
16	36432	89BM-6102-DA	(000000-	Piston, Pin and Ring Assembly, Std	4
16	36433	89BM-6102-EA	(000000-	Piston, Pin and Ring Assembly, 0.020 OS	As Req.
16	36445	89BM-6102-FA	(000000-	Piston, Pin and Ring Assembly, 0.040 OS	As Req.
17	42361	89BM-6148-DA	(000000-	Ring Set, Piston, Std	4
17	75809	89BM-6148-EA	(000000-	Ring Set, Piston, 0.020 OS	As Req.
17	75817	89BM-6148-FA	(000000-	Ring Set, Piston, 0.040 OS	As Req.
18	61527	89BM-6200-AD	(000000-	Rod Assembly, Connecting	4
19	36454	89BM-6214-CB	(000000-	Bolt, Connecting Rod	8
20	36463	89SM-6211-AA	(000000-	Bearing Half, Connecting Rod, Std	8
20	36467	89SM-6211-BA	(000000-	Bearing Half, Connecting Rod, 0.001 US	8
20	36469	89SM-6211-CA	(000000-	Bearing Half, Connecting Rod, 0.010 US	8
20	36483	89SM-6211-DA	(000000-	Bearing Half, Connecting Rod, 0.020 US	8
20	36493	89SM-6211-EA	(000000-	Bearing Half, Connecting Rod, 0.030 US	8
21	36590	116336-ES100	(000000-	Dowel Pin, Connecting Rod	8

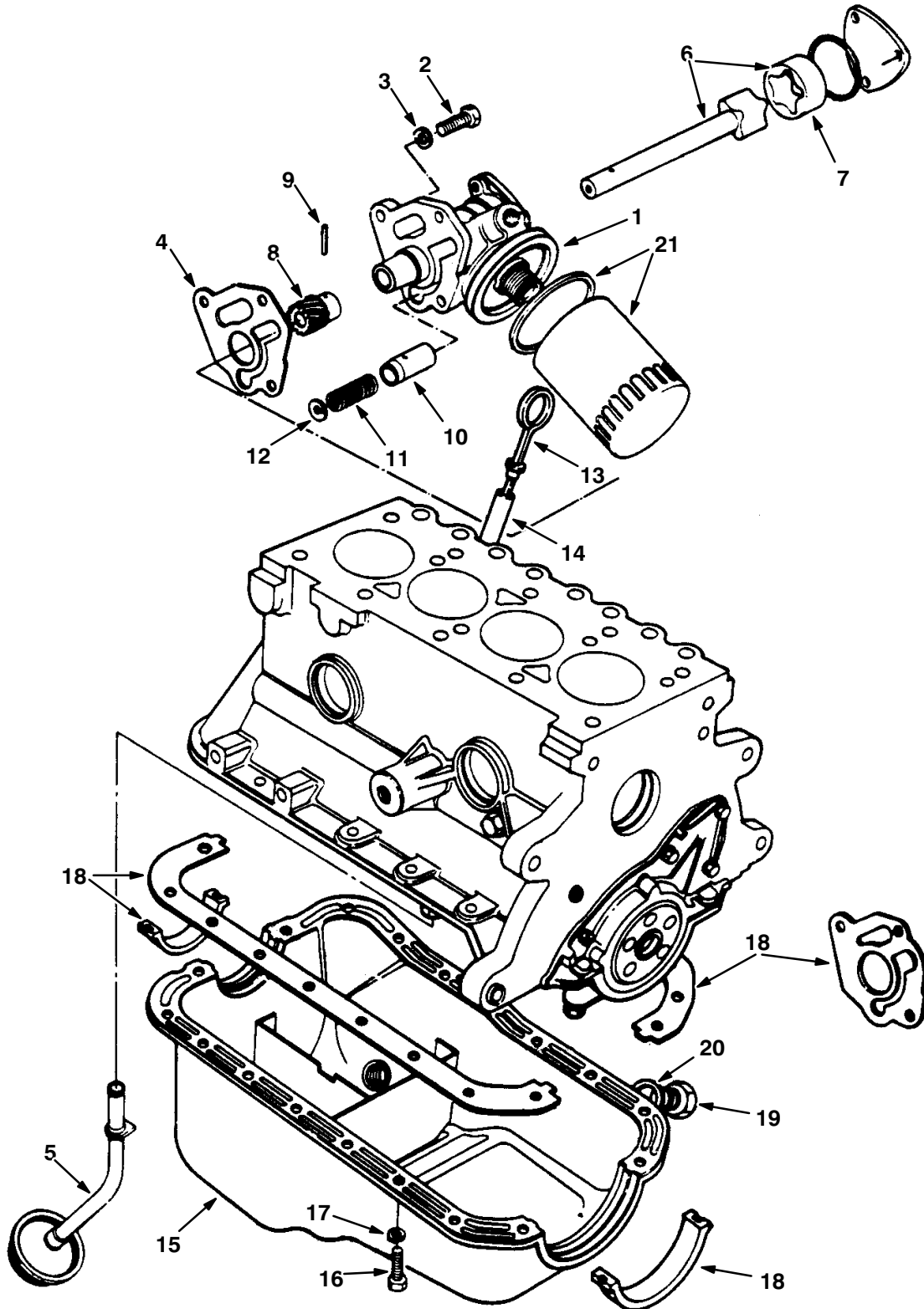


Fig. 5 – Oil Pump and Oil Pan Group

NOTE: To identify parts shown but not listed here, see SECTION 5, STANDARD MODEL PARTS.

Fig. 5 – Oil Pump and Oil Pan Group

Key	TENNANT Ford Part No.	Part Number	Engine Serial Number	Description	Qty.
1	07710	D8RZ-6600-A	(000000-) Pump, Oil	1
2	36748	E800519-S72	(000000-) Bolt	3
3	36431	E630173-S71M	(000000-) Washer, B8 Lock	3
4	36764	89BM-6659-AA	(000000-) Gasket, Oil Pump to Block	1
5	36765	86BM-6617-AA	(000000-) Tube Assembly, Oil Pickup	1
6	10075	D1FZ-6608-B	(000000-) Rotor and Shaft	1
37403 7	36776	116682-ES	(000000-) Seal, Cover Plate	1
8	36780	DORY-6652-A	(000000-) Gear	1
9	36867	72432-S	(000000-) Pin, Drive Gear	1
10	36881	DORY-6674-A	(000000-) Plunger	1
11	36904	DORY-6670-A	(000000-) Spring	1
12	36923	DORY-6666-A	(000000-) Plug	1
13	36924	89BM-6750-AA	(000000-) Indicator, Oil Level	1
14	37053	89BM-6784-AA	(000000-) Tube, Oil Level Indicator	1
15	37098	86BM-6675-AA	(000000-) Oil Pan	1
16	37099	E602165-S72	(000000-) Bolt, M6 x 14, Oil Pan	18
17	36373	34805-S8	(000000-) Washer, 1/4 Lock	18
18	10806	A850X-6013-AA	(000000-) Kit, Oil Pan Gasket	1
19	37127	EOFZ-6730-B	(000000-) Plug, Oil Drain	1
20	37157	EOFZ-6734-A	(000000-) Gasket, Oil Drain Plug	1
21	19205		(000000-) Filter, Engine Oil	1

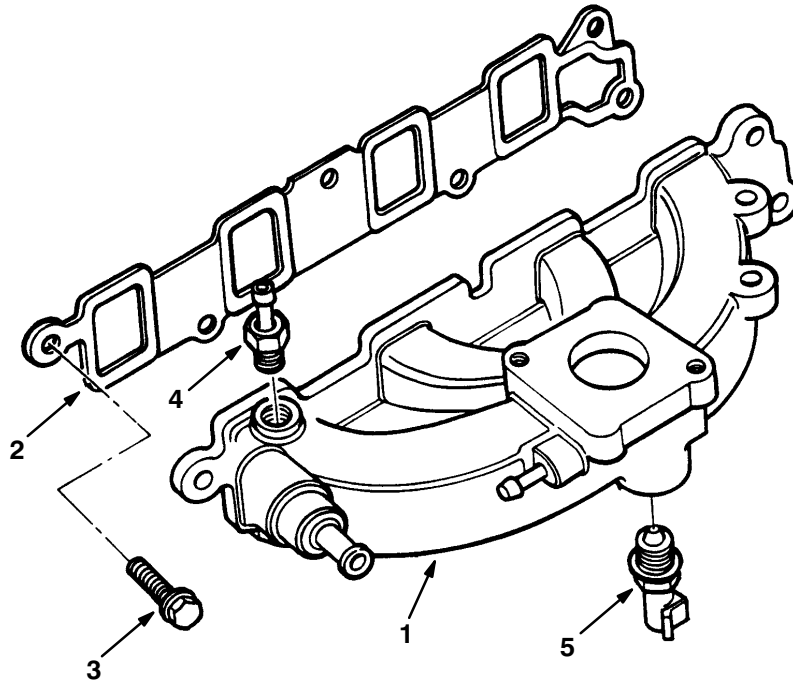


Fig. 6 – Intake Manifold Group

05506

Key	TENNANT Part No.	Ford Part Number	Engine Serial Number	Description	Qty.
1	37194	89BF-9424-AD	(000000-)	Manifold, Intake	1
2	37195	89BM-9441-AB	(000000-)	Gasket, Intake Manifold	1
3	37196	E800157-S72	(000000-)	Bolt, M8 x 25	6
4	37198	77BF-9K442-AA	(000000-)	Adapter, Vacuum	1
5	37199	E4AF-12A648-AA	(000000-)	Sensor, Water Temperature	1

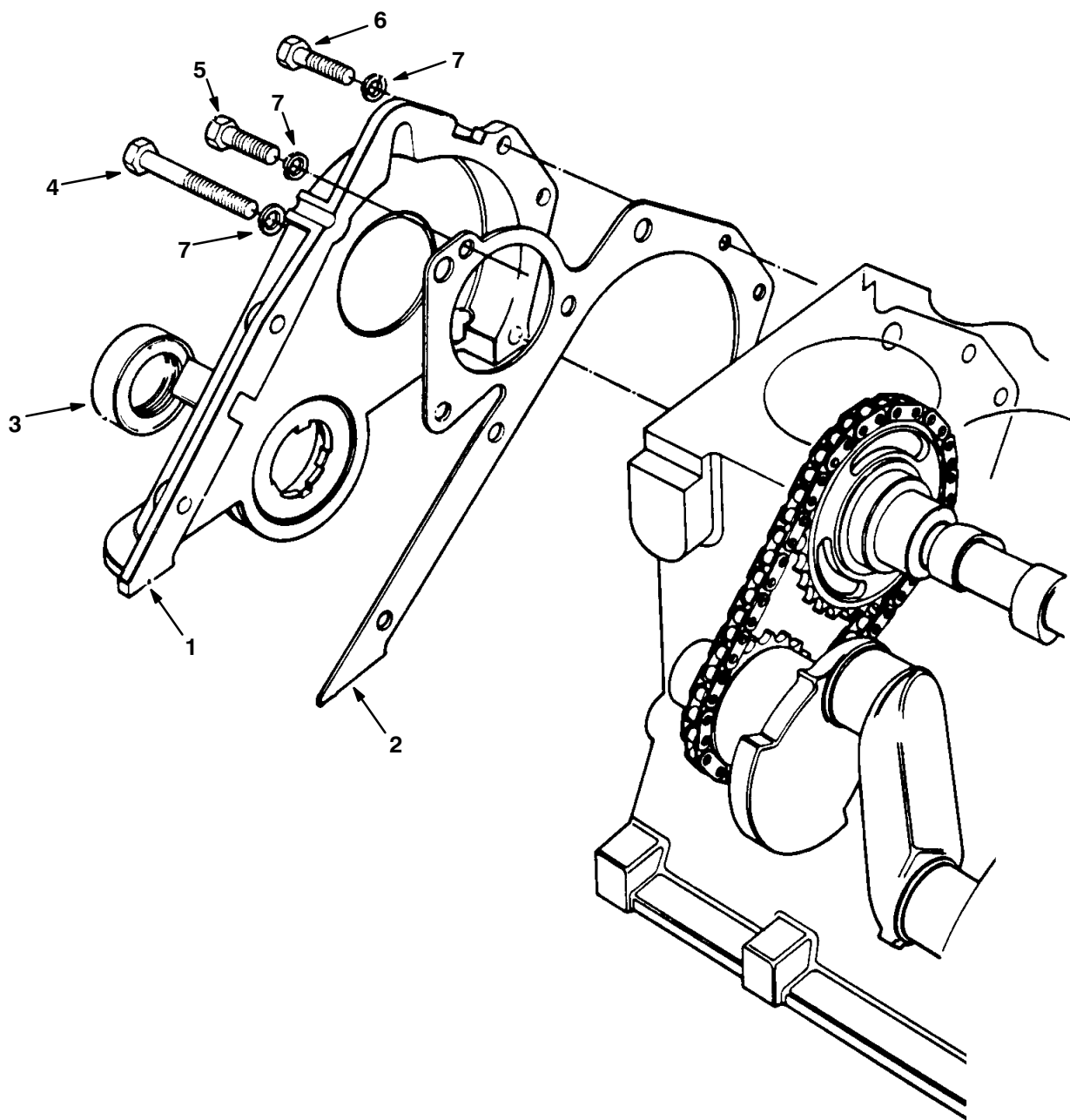


Fig. 7 – Front Cover Assembly Group

05499

Key	TENNANT Part No.	Ford Part Number	Engine Serial Number	Description	Qty.
1	36332	89BM-6019-AA	(000000-)	Cover and Seal Assembly, Cylinder Front	1
2	36258	89BM-6020-AA	(000000-)	Gasket, Front Cover	1
3	36333	83BM-6700-A3A	(000000-)	Seal, Front Cover	1
4	36337	E800518-S72	(000000-)	Bolt, M6 x 45, Front Cover to Block	1
5	39047	E800113-S72	(000000-)	Bolt, M6 x 40, Front Cover to Block	3
6	36338	E800512-S72	(000000-)	Bolt, M6 x 18, Front Cover to Block	4
7	36339	E630152-S71	(000000-)	Washer, Lock, B6, Front Cover and W/P to Block	8

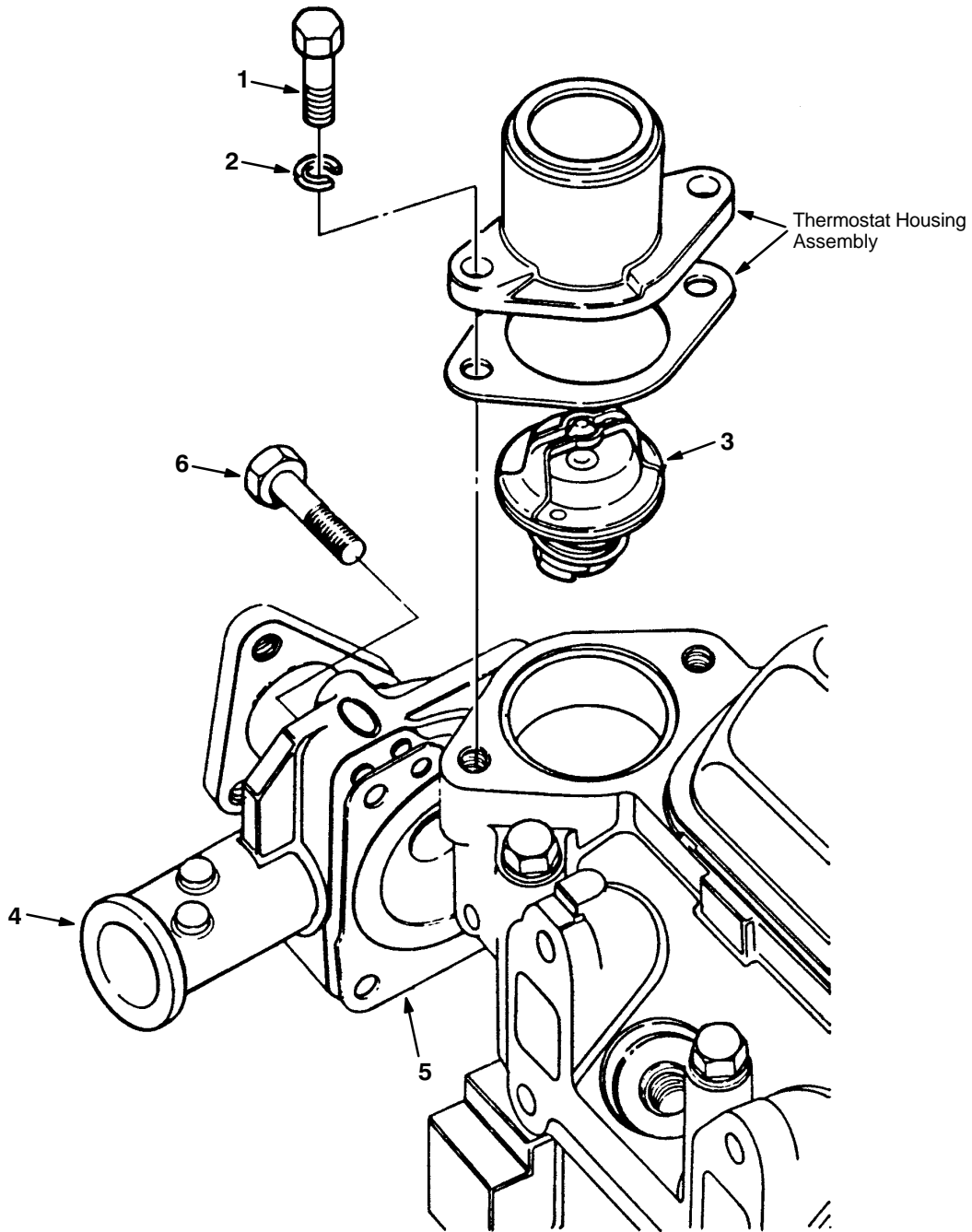


Fig. 8 – Water Pump Group

05509

Key	TENNANT Ford Part No.	Part Number	Engine Serial Number	Description	Qty.
1	37181	E602187-S82	(000000-)	Bolt, M8 x 20	2
2	36431	E630173-S71M	(000000-)	Washer, B8 Lock	2
3	37327	RT-351	(000000-)	Thermostat	1
4	30573		(000000-008742)	Water Pump Kit	1
4	26431	92BX-8591-BA	(008743-)	Water Pump	1
5	37189	89BM-8507-AA	(000000-)	Gasket, Water Pump	1
6	37193	E600113-S72	(000000-)	Bolt, M6 x 40, Front Cover and W/P to Block	3

NOTE: To identify parts shown but not listed here, see SECTION 5, STANDARD MODEL PARTS.

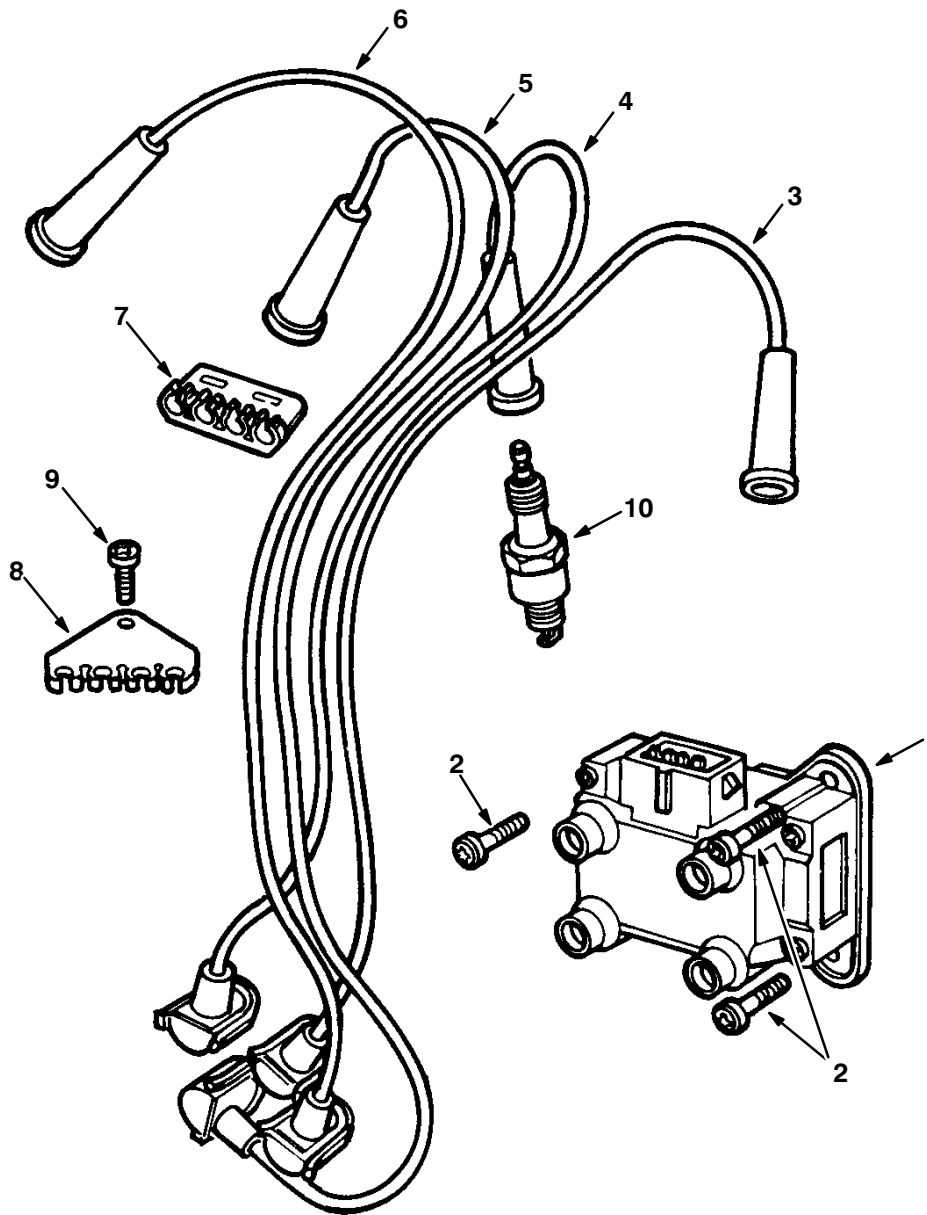


Fig. 9 – Distributorless Ignition Group

05508

Key	TENNANT Part No.	Ford Part Number	Engine Serial Number	Description	Qty.
1	39025	89BF-12024-AB	(000000-)	Coil and Bracket Assembly, Ignition	1
2	39026	E804335-S201	(000000-)	Screw, M8 x 14	3
	39035	E8JL-12A200-AC	(000000-)	Wiring Harness, Ignition	1
3	39038	89BF-12286-AC	(000000-)	Wire, Spark Plug, No. 1	1
4	39040	89BF-12283-AC	(000000-)	Wire, Spark Plug, No. 2	1
5	39041	89BF-12284-AC	(000000-)	Wire, Spark Plug, No. 3	1
6	39042	89BF-12287-AC	(000000-)	Wire, Spark Plug, No. 4	1
7	39043	E865648-S	(000000-)	Separator, Ignition Wire	1
8	39044	89BF-12297-AA	(000000-)	Separator, Ignition Wire	1
9	39045	E802166-S76	(000000-)	Screw, M4 x 10	1
10	39046	87YF-12405-AA	(000000-)	Spark Plug	4

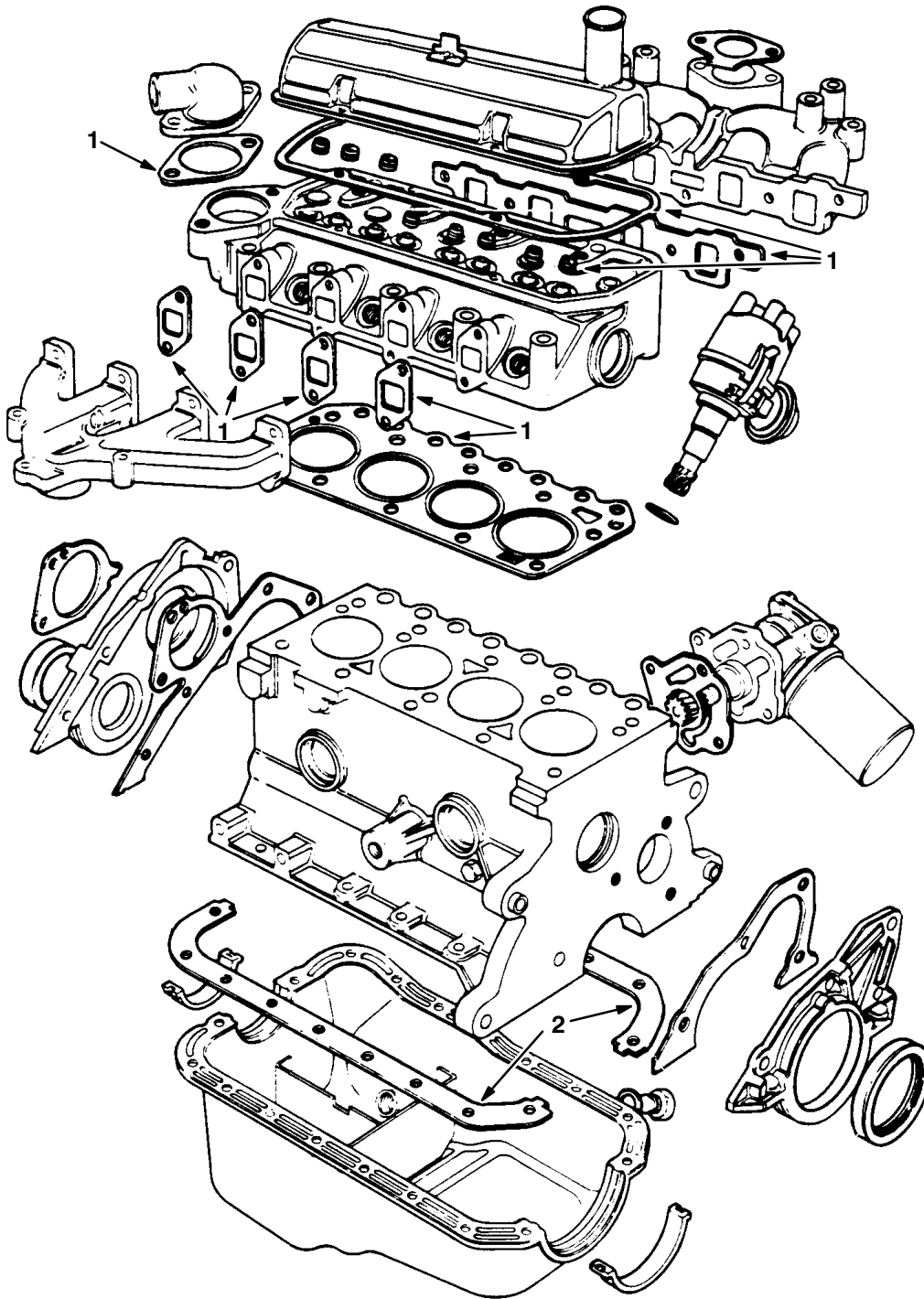


Fig. 10 – Gaskets Group

05495

Key	TENNANT Ford Part No.	Part Number	Engine Serial Number	Description	Qty.
	36253	88BX-6008-BA	(000000-)	Engine Gasket Kit, Complete	1
1	36254	88BX-6014-BA	(000000-)	Engine Gasket Kit, Upper	1
2	10806	A850X-6013-AA	(000000-)	Engine Gasket Kit, Oil Pan	1

NOTE: To identify parts shown but not listed here, see Section 5, Standard Model Parts.

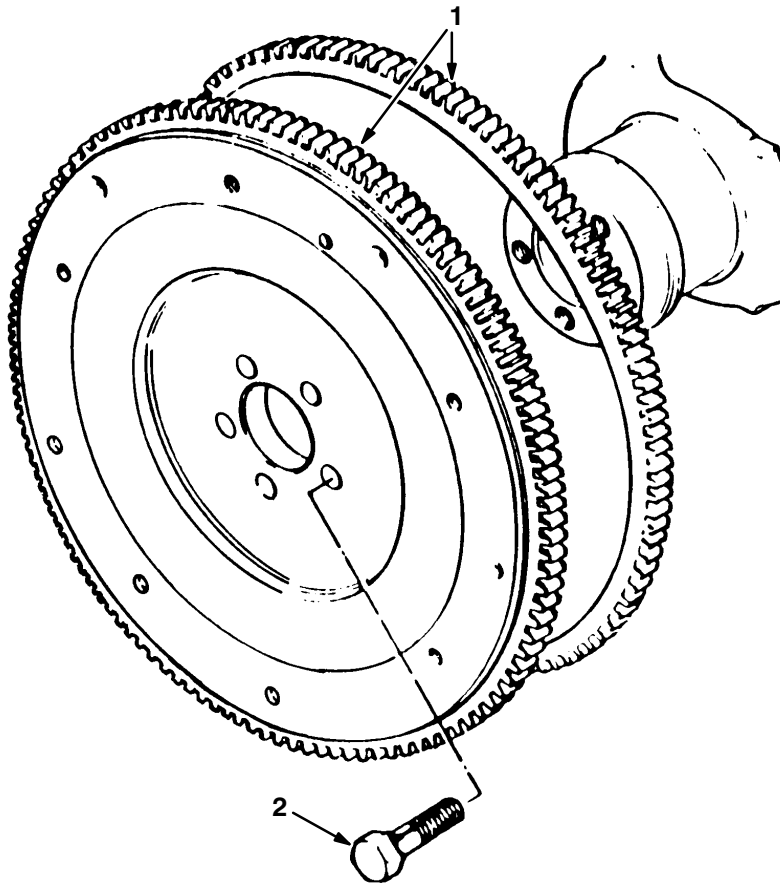


Fig. 11 – Flywheel Group

05502

Key	TENNANT Ford Part No.	Ford Part Number	Engine Serial Number	Description	Qty.
1	36591	89BM-6375-BA	(000000-)	Flywheel and Ring Gear Assembly	1
2	36630	D2RY-6379-A	(000000-)	Bolt, M10 x 22.5, Flywheel to Crankshaft	6
	36646	D1FZ-6397-B	(000000-)	Dowel	6

SECTION 14

CONTENTS

	Page
ORDERING REPAIR PARTS	14-3
Fig. 1 – Crankcase Group	14-4
Fig. 2 – Oil Pan Group	14-6
Fig. 3 – Cylinder Head Group	14-7
Fig. 4 – Gear Case Group	14-8
Fig. 5 – Main Bearing Case Group	14-10
Fig. 6 – Manifold Group	14-11
Fig. 7 – Valve, Rocker Arm Group	14-12
Fig. 8 – Head Cover Group	14-14
Fig. 9 – Piston and Crankshaft Group	14-16
Fig. 10 – Camshaft Group	14-18
Fig. 11 – Flywheel Group	14-19
Fig. 12 – Nozzle Group	14-20
Fig. 13 – Fuel Camshaft Group	14-22
Fig. 14 – Governor Group	14-24
Fig. 15 – Speed Control Plate Group	14-25
Fig. 16 – Stop Lever Group	14-26
Fig. 17 – Thermostat Group	14-27
Fig. 18 – Starter Breakdown	14-28
Fig. 19 – Water Pump Group	14-30

NOTE: SECTION 14, ENGINE PARTS, DIESEL, lists repair parts for diesel powered engines, TENNANT part number 25614, 30366, and 61332.

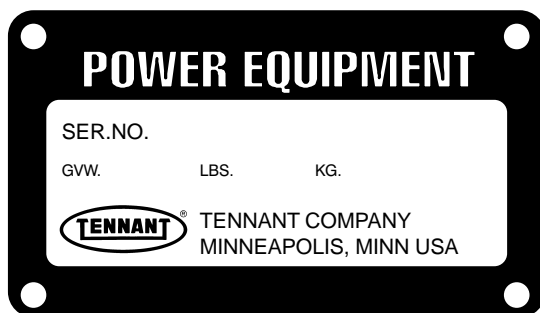
ORDERING REPAIR PARTS

The components used in this machine have been carefully selected for performance and safety. Use only Tennant Company specified or equivalent parts.

To receive prompt service in filling of your parts orders, please direct all orders for parts with Tennant Company part numbers to the Tennant Company, and all orders for parts with vendor part numbers to the local supplier of the respective vendor.

When ordering parts, please furnish all of the following information:

1. Machine model number - shown on the machine data plate.



2. Machine serial number - shown on the machine data plate.
3. Power source - gasoline, LPG, diesel, electric.
4. Company name.
5. Shipping address.
6. Billing address.
7. Name, first and last - of person ordering parts.
8. Telephone number.
9. Purchase order number.
10. Part number, description, and quantity - of each item on the order.
11. Customer ID Number.

Do not order parts by key number or the figure number of the illustrated parts. Indented items indicate parts of assemblies. Standard hardware is furnished only when part of a purchased assembly. Please get hardware from a local hardware supplier.

If the old part cannot be identified, send it to us with the quantity needed specified on the order.

Any claim for loss or damage to a shipment in transit should be filed promptly against the transportation company making the delivery. Shipments will be complete unless the packing list or order acknowledgement indicate items back ordered.

If parts received are suspected to be incorrect or defective, please write, wire, or phone the Tennant Company representative from whom you ordered the part. They will give authorization for return and/or handle replacement shipments when required.

SERIAL NUMBER INFORMATION EXPLANATION

Serial number listings are shown to indicate on which machines each part can be used. These listings are explained by the following examples:

(000000-) The part can be used on all machines.

(003342-) The part can be used on all machines beginning with the serial number listed.

(000000-004320) The part can be used on all machines up to and including serial number listed.

(004321-005678) The part can be used on all machines between and including the serial numbers listed.

Where xxxxxx's are listed in place of a serial number, it indicates a change was made but the exact serial number had not been established when the catalog went to press.

**SI UNITS OF MEASURE
(INTERNATIONAL SYSTEM)**

Metric equivalents have been included, where applicable, throughout this parts catalog.

FASTENER STRENGTH IDENTIFICATION

Fasteners required to have high-strength qualities equivalent to SAE Grade 8 are identified throughout this catalog by the description GR 8. Unless identified by this description, all standard fasteners are SAE Grade 5.

(Specifications and design subject to change without notice.)

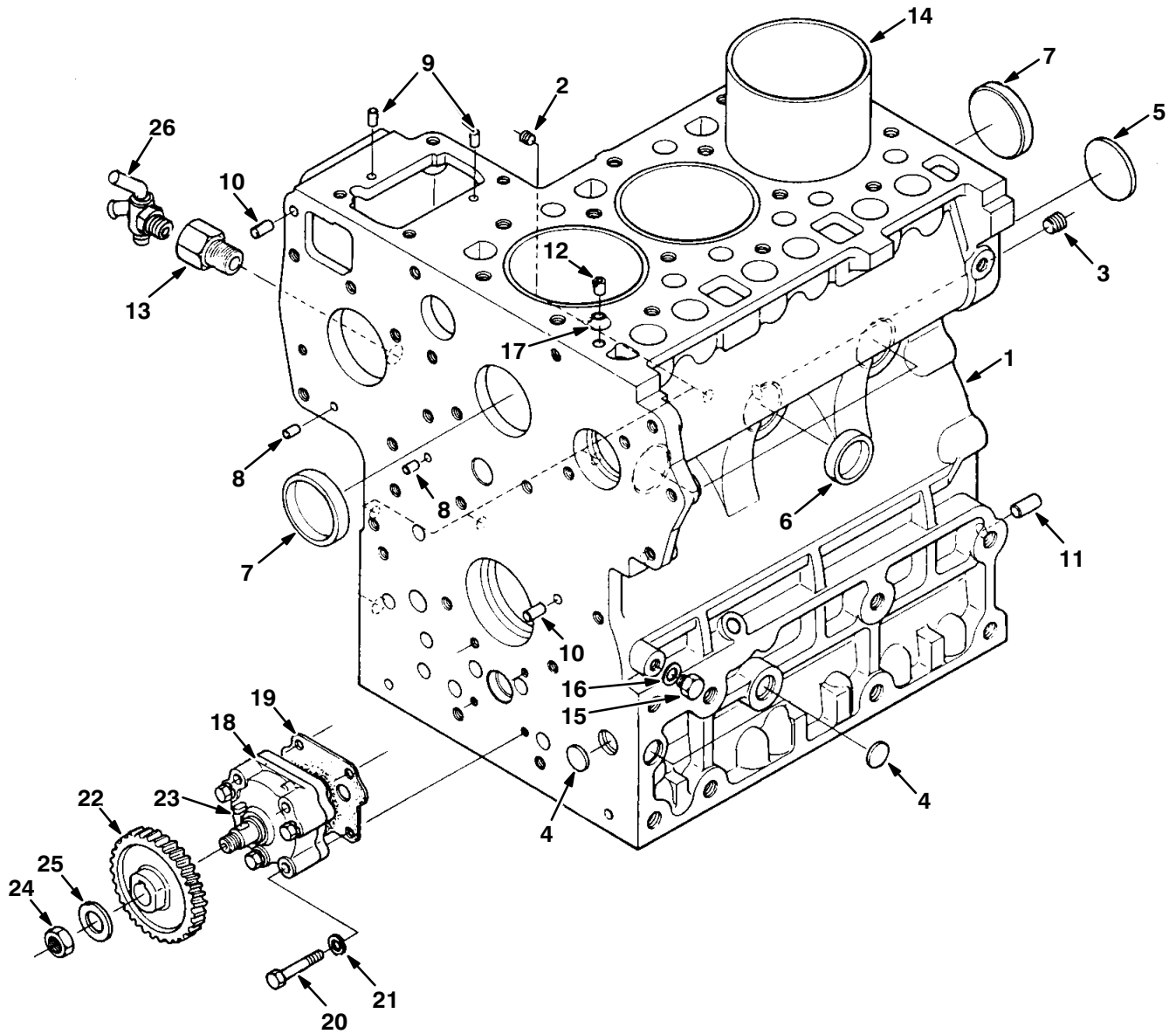


Fig. 1 – Crankcase Group

Fig. 1 – Crankcase Group

Key	TENNANT Part No.	Kubota Part Number	Engine Serial Number	Description	Qty.
1	39050	19271-0101-0	(000000-)	Crankcase Assembly	1
2	39051	15521-9602-0	(000000-)	Plug, Pin	5
3	39052	15521-9603-0	(000000-)	Plug	2
4	39053	06311-75015	(000000-)	Plug, Expansion	3
5	30070	06311-75045	(000000-)	Plug, Expansion	1
6	39054	15221-0338-0	(000000-)	Cap, Sealing	5
7	39055	15221-0339-0	(000000-)	Cap, Sealing	2
8	39056	05012-00408	(000000-)	Pin, Straight	2
9	39057	05012-00609	(000000-)	Pin, Straight	2
10	39058	05012-00612	(000000-)	Pin, Straight	2
11	39059	05012-01018	(000000-)	Pin, Straight	1
12	39060	15221-3365-0	(000000-)	Pin, Pipe	1
13	39061	15291-7316-0	(000000-)	Connector, Drain Cock	1
14	30067	15521-0231-0	(000000-)	Liner, Cylinder	3
15	39062	15221-3361-0	(000000-)	Plug	1
16	10895	15021-3366-0	(000000-)	Gasket	1
17	39063	15221-3370-0	(000000-)	O-Ring	1
18	12710	15321-3501-0	(000000-)	Pump, Oil	1
19	12709	15221-3515-0	(000000-)	Gasket, Oil Pump	1
20	39064	01053-50648	(000000-)	Bolt	4
21	39065	04512-50060	(000000-)	Washer, Spring	4
22	39066	19202-3566-0	(000000-)	Gear, Oil Pump Drive	1
23	39067	05712-00410	(000000-)	Key, Feather	1
24	39068	15221-3568-0	(000000-)	Nut	1
25	39069	15221-3567-0	(000000-)	Washer	1
26	30054	14412-7311-0	(000000-)	Cock, Drain	1

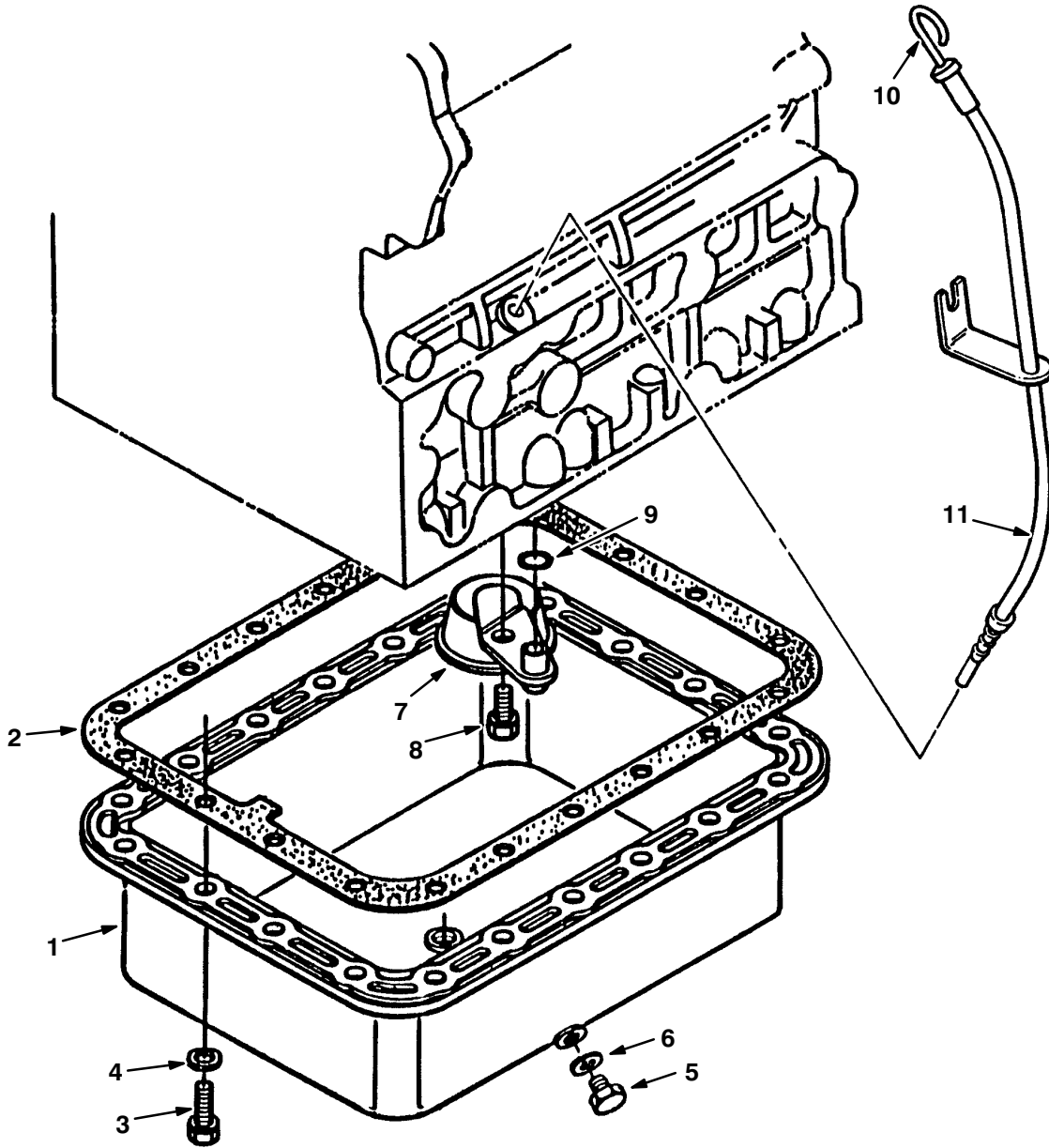


Fig. 2 – Oil Pan Group

05185

Key	TENNANT Part No.	Kubota Part Number	Engine Serial Number	Description	Qty.
1	12727	15324-0161-3	(000000-)	Oil Pan	1
2	10907	15341-0162-0	(000000-)	Gasket, Oil Pan	1
3	39070	01133-51025	(000000-)	Bolt	20
4	39071	15201-9401-0	(000000-)	Washer, Plain	20
5	30051	15221-3375-0	(000000-)	Plug	3
6	10906	70000-6525-9	(000000-)	Gasket	3
7	39072	15401-3211-0	(000000-)	Filter, Oil	1
8	39073	01123-50814	(000000-)	Bolt	1
9	39074	04811-00140	(000000-)	O-Ring	1
10	39075	15418-3641-1	(000000-)	Gauge, Oil	1
11	39078	15418-3642-1	(000000-)	Guide, Oil Gauge	1

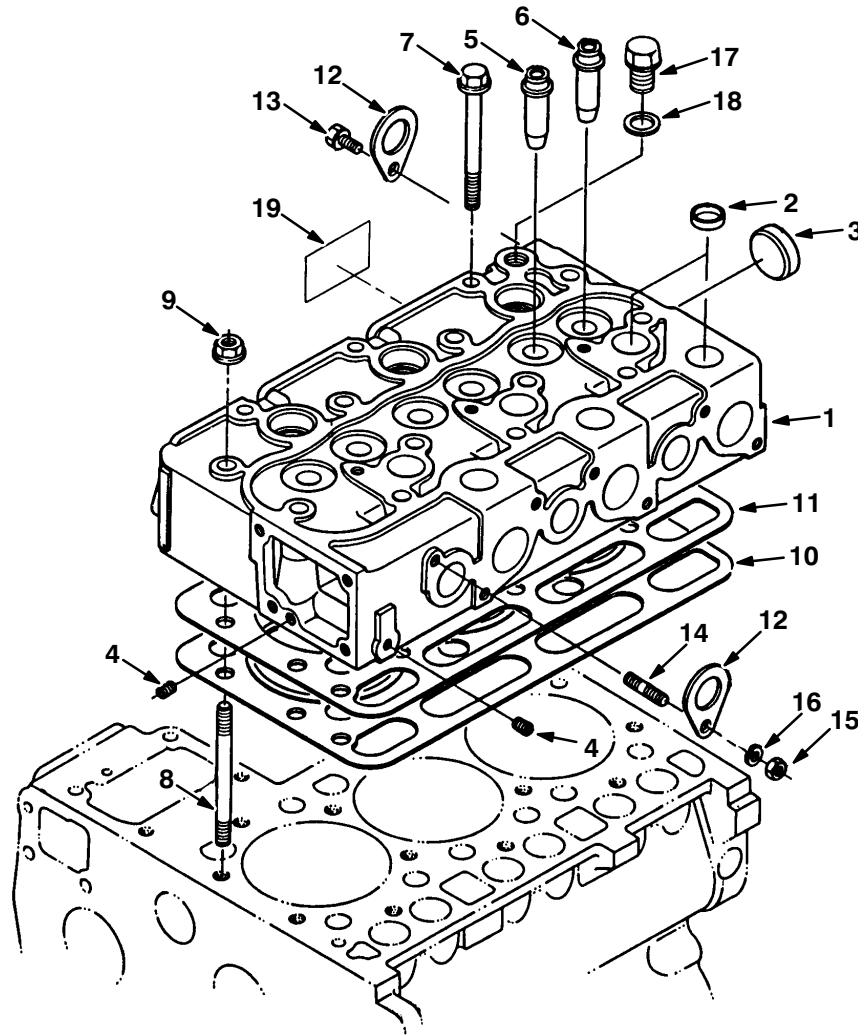


Fig. 3 – Cylinder Head Group

02686

Key	TENNANT Part No.	Kubota Part Number	Engine Serial Number	Description	Qty.
1	39082	15521-0304-0	(000000-)	Head Assembly Cylinder	1
2	39086	15521-0337-0	(000000-)	Cap, Sealing	9
3	39087	15221-0349-0	(000000-)	Cap, Sealing	1
4	39088	15261-9601-0	(000000-)	Plug, Pin	2
5	39089	15221-1358-0	(000000-)	Guide, Valve	3
6	30073	15601-1356-0	(000000-)	Guide, Exhaust Valve	3
7	39090	19202-0345-0	(000000-)	Bolt, Head	12
8	39091	19202-0341-0	(000000-)	Stud, Head	2
9	39092	19202-0351-0	(000000-)	Nut, Head	2
10	10905	15814-0331-0	(000000-)	Gasket, Head	1
11	12793	15521-0332-0	(000000-)	Shim, Head Gasket	As Req.
12	39093	15221-0175-0	(000000-)	Hook, Engine	2
13	39094	01123-50816	(000000-)	Bolt	1
14	39095	15521-9149-0	(000000-)	Stud	1
15	39096	02156-50080	(000000-)	Nut	1
16	39097	04512-50080	(000000-)	Washer, Spring	1
17	39098	15000-3608-0	(000000-)	Plug, Head	1
18	39099	04717-01600	(000000-)	Washer, Seal	1
19	39100	15222-8821-0	(000000-)	Label, Caution	1

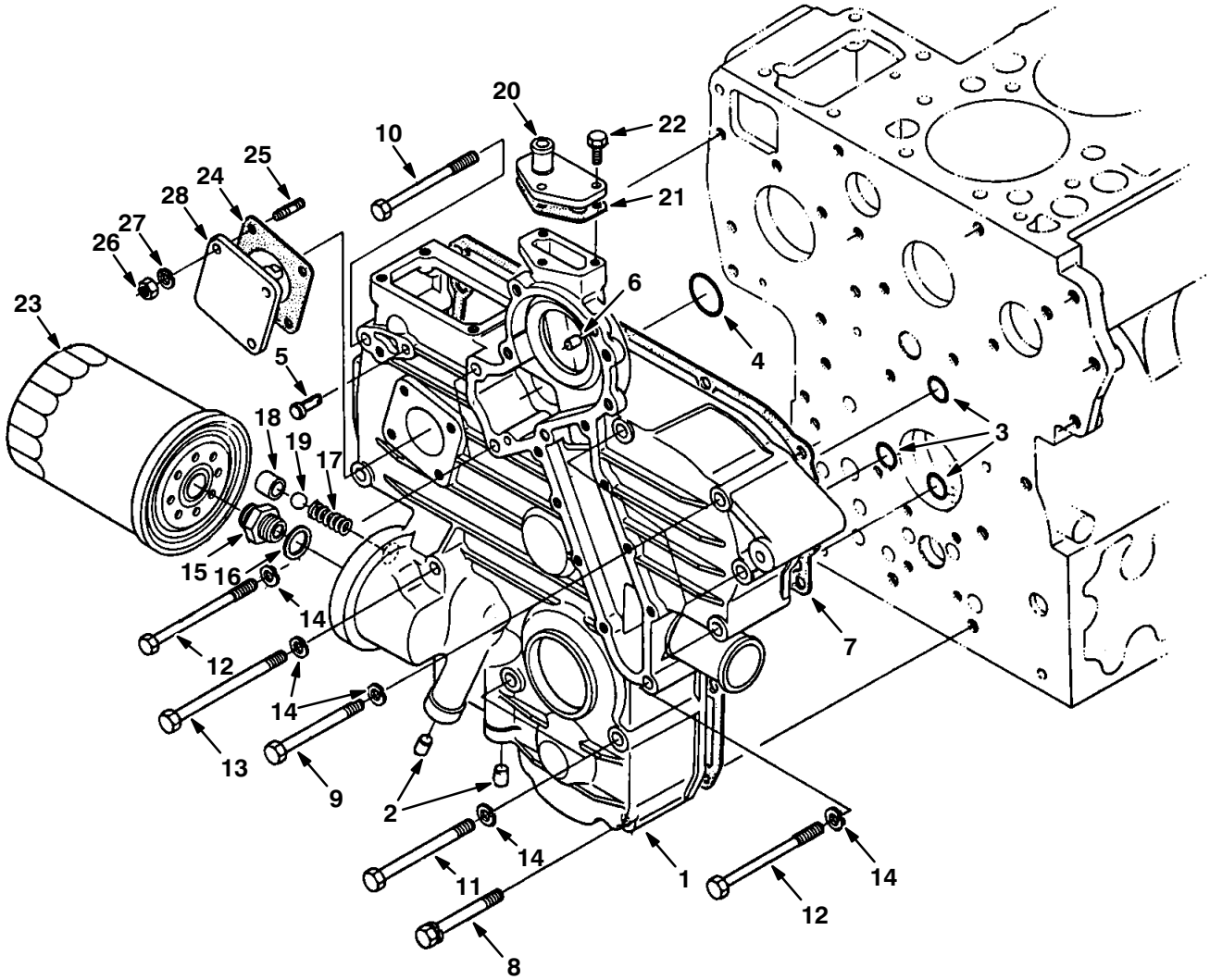


Fig. 4 – Gear Case Group

Fig. 4 – Gear Case Group

Key	TENNANT Part No.	Kubota Part Number	Engine Serial Number	Description	Qty.
1	39101	15521-0402-0	(000000-)	Case Assembly, Gear	1
2	39102	15521-3363-0	(000000-)	Plug, Pin	2
3	39103	04811-00150	(000000-)	O-Ring	3
4	39104	04811-00360	(000000-)	O-Ring	1
5	39105	15221-5628-0	(000000-)	Pin, Start Spring	1
6	39058	05012-00612	(000000-)	Pin, Straight	2
7	10904	15521-0413-0	(000000-)	Gasket, Gear Case	1
8	39106	01123-50860	(000000-)	Bolt	2
9	39107	01153-50870	(000000-)	Bolt	5
10	39108	15521-9101-0	(000000-)	Bolt	1
11	39109	01153-50880	(000000-)	Bolt	2
12	39110	15521-9102-0	(000000-)	Bolt	3
13	39112	01153-50895	(000000-)	Bolt	2
14	39097	04512-50080	(000000-)	Washer, Spring	13
15	39113	15521-3229-0	(000000-)	Joint, Pipe	1
16	39114	04011-50180	(000000-)	Washer, Plain	1
17	39115	15241-3695-0	(000000-)	Spring	1
18	39116	15521-3693-0	(000000-)	Seat, Valve	1
19	39117	07715-03213	(000000-)	Ball	1
20	39118	15521-7332-0	(000000-)	Flange, Water Return	1
21	10903	15521-7333-0	(000000-)	Gasket, Water Return Flange	1
22	39119	01023-50620	(000000-)	Bolt	3
23	82693	15521-3243-0	(000000-)	Cartridge, Oil Filter	1
24	12796	15221-8813-0	(000000-)	Gasket, Hour Meter	1
25	39120	15221-8821-0	(000000-)	Stud	4
26	39121	02056-50060	(000000-)	Nut	4
27	39065	04512-50060	(000000-)	Washer, Spring	4
28	39122	15223-8334-0	(000000-)	Cover	1

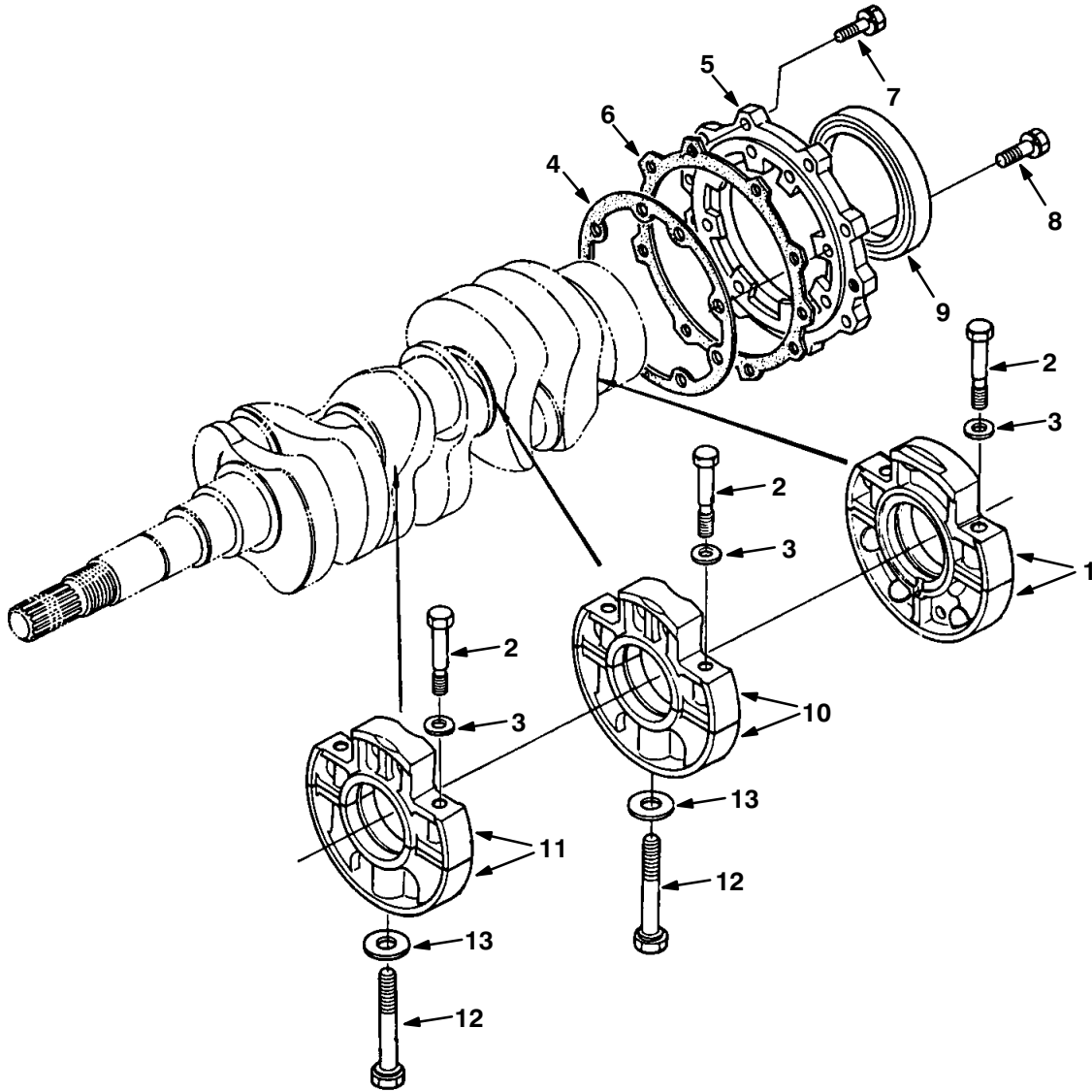


Fig. 5 – Main Bearing Case Group

02688

Key	TENNANT Part No.	Kubota Part Number	Engine Serial Number	Description	Qty.
1	39123	19202-0404-0	(000000-)	Case Assembly, Main Bearing	1
2	39124	15521-0454-0	(000000-)	Bolt, Bearing Case	6
3	39125	15521-9401-0	(000000-)	Washer, Plain	6
4	39126	15221-0436-0	(000000-)	Gasket	1
5	39127	19202-0481-0	(000000-)	Cover, Bearing Case	1
6	10902	15221-0482-0	(000000-)	Gasket	1
7	39128	01123-50825	(000000-)	Bolt	8
8	39129	01123-50828	(000000-)	Bolt	8
9	39130	19202-0446-0	(000000-)	Seal, Oil	1
10	39132	15521-0405-0	(000000-)	Case Assembly, Main Bearing	1
11	39133	15521-0406-0	(000000-)	Case Assembly, Main Bearing	1
12	39134	15291-0456-0	(000000-)	Bolt	2
13	39135	15521-9402-0	(000000-)	Washer, Plain	2

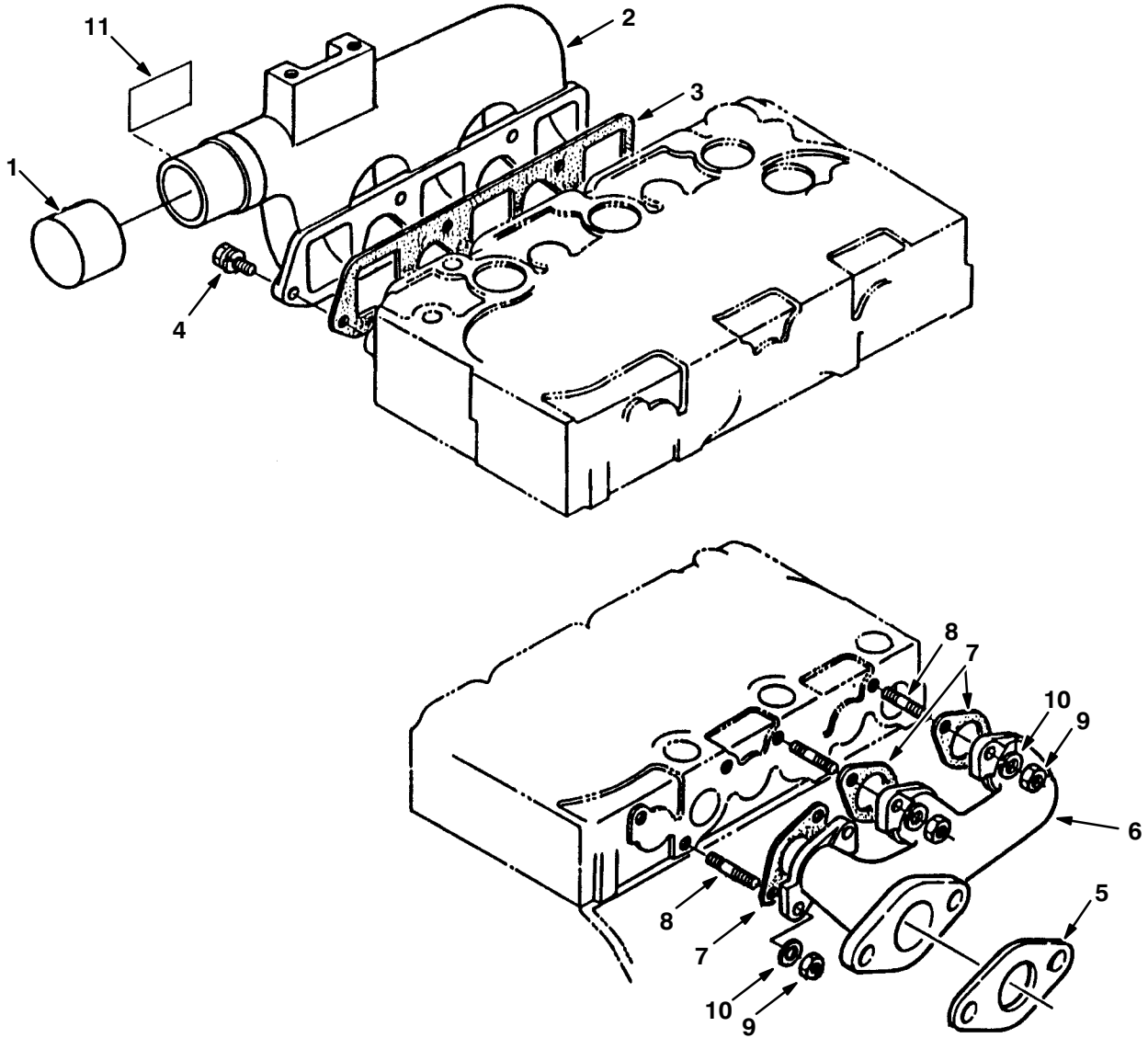


Fig. 6 – Manifold Group

05184

Key	TENNANT Part No.	Kubota Part Number	Engine Serial Number	Description	Qty.
1	39136	15000-3624-0	(000000-)	Cap	1
2	39137	15501-1176-0	(000000-)	Manifold, Inlet	1
3	10901	15521-1182-0	(000000-)	Gasket, Inlet Manifold	1
4	39138	01123-50822	(000000-)	Bolt	5
5	25627	15221-1237-1	(000000-)	Gasket, Flange	1
6	25613	15321-1231-4	(000000-)	Manifold, Exhaust	1
7	10899	15521-1235-0	(000000-)	Gasket, Exhaust Manifold	3
8	39139	15221-9153-0	(000000-)	Stud	6
9	39096	02156-50080	(000000-)	Nut	6
10	39097	04512-50080	(000000-)	Washer, Spring	6
11	39140	32210-3479-0	(000000-)	Label, Decompression	1

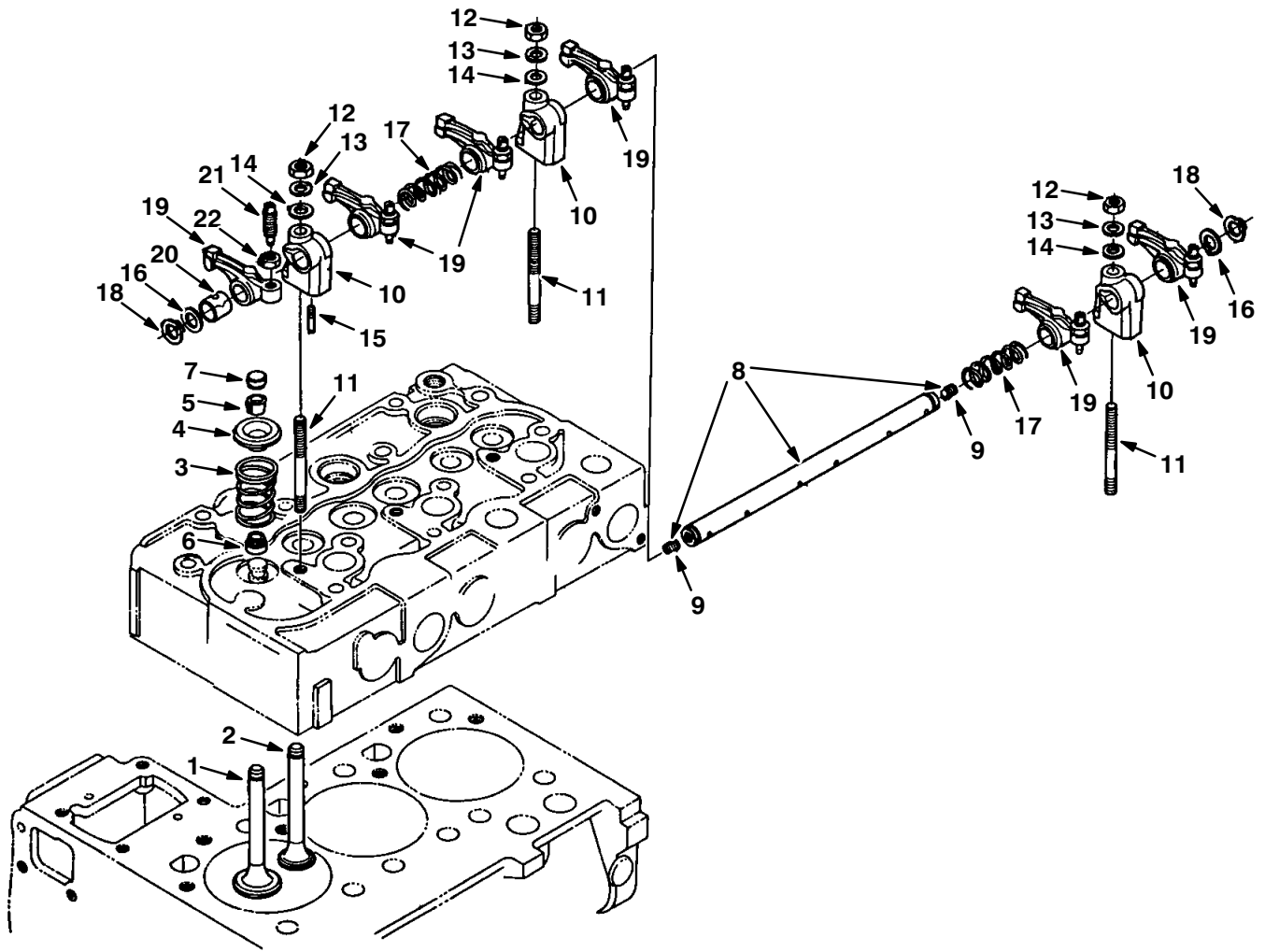


Fig. 7 – Valve, Rocker Arm Group

Fig. 7 – Valve, Rocker Arm Group

Key	TENNANT Part No.	Kubota Part Number	Engine Serial Number	Description	Qty.
1	10898	15221-1311-0	(000000-)	Valve, Inlet	3
2	10897	15221-1312-0	(000000-)	Valve, Exhaust	3
3	10896	15221-1324-0	(000000-)	Spring, Valve	6
4	10894	15221-1333-0	(000000-)	Retainer, Valve Spring	6
5	39141	15221-1336-0	(000000-)	Collet, Valve Spring	12
6	39142	15221-1315-0	(000000-)	Seal, Valve Stem	6
7	39143	15221-1328-0	(000000-)	Cap, Valve	6
8	39144	15321-1405-0	(000000-)	Shaft Assembly, Rocker Arm	1
9	39145	03410-00808	(000000-)	Screw, Set	2
10	39146	15221-1435-0	(000000-)	Bracket, Rocker Arm	3
11	39147	15521-9150-0	(000000-)	Stud	3
12	39096	02156-50080	(000000-)	Nut	3
13	39097	04512-50080	(000000-)	Washer, Spring	3
14	39148	04012-50080	(000000-)	Washer, Plain	3
15	39149	15221-1442-0	(000000-)	Screw, Set	1
16	39150	15221-1443-0	(000000-)	Washer	2
17	39151	15221-1431-0	(000000-)	Spring, Rocker Arm	2
18	39152	04612-00140	(000000-)	Cir-Clip, External	2
19	39153	15601-1403-0	(000000-)	Arm Assembly, Rocker	6
20	39154	15221-1418-0	(000000-)	Bushing, Rocker Arm	6
21	39155	15521-1423-0	(000000-)	Screw, Adjusting	6
22	39156	15021-1424-0	(000000-)	Nut	6

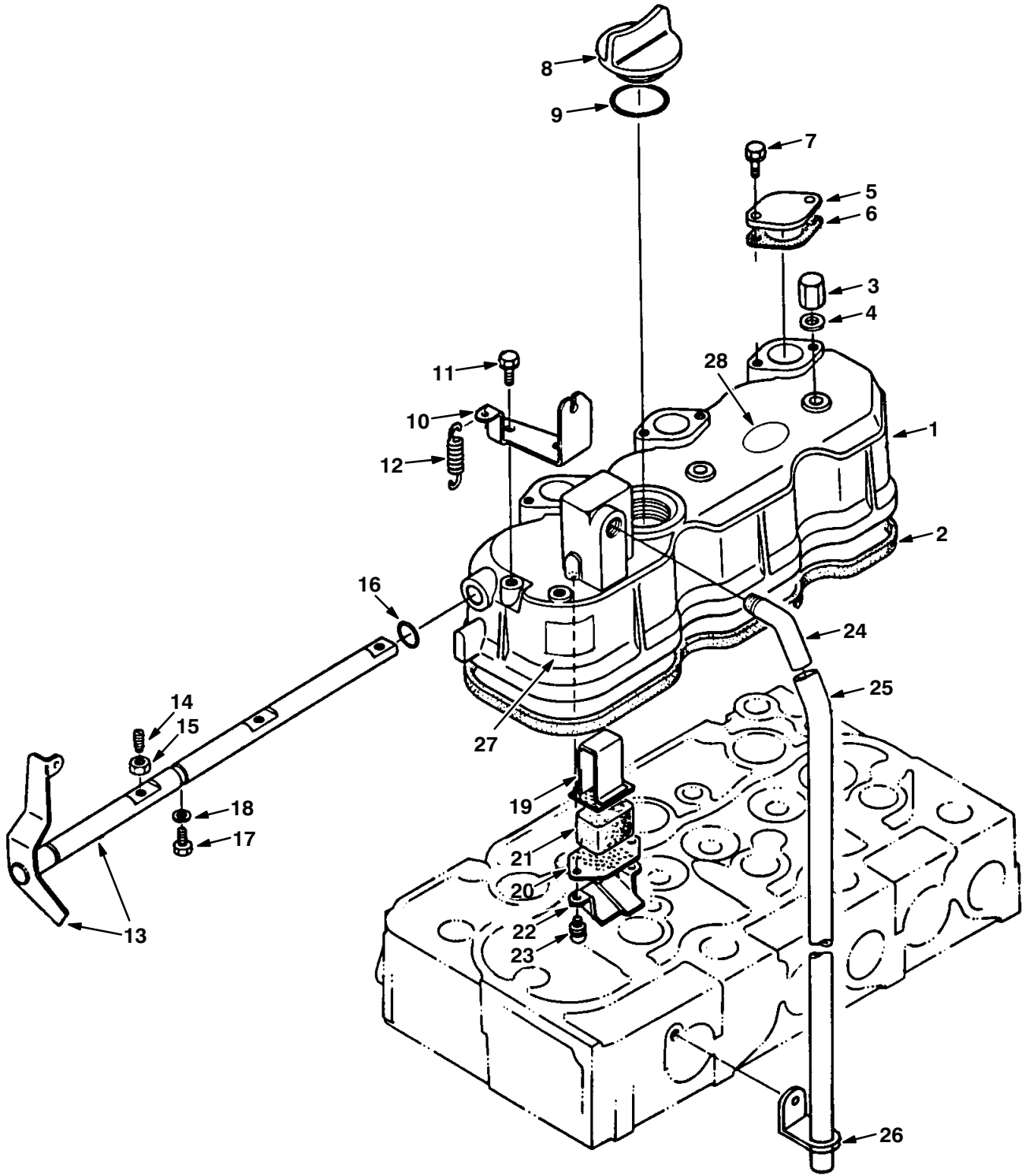


Fig. 8 – Head Cover Group

Fig. 8 – Head Cover Group

Key	TENNANT Part No.	Kubota Part Number	Engine Serial Number	Description	Qty.
1	39157	15521-1451-0	(000000-)	Cover, Cylinder Head	1
2	10835	15521-1452-0	(000000-)	Gasket, Head Cover	1
3	39158	15451-9233-0	(000000-)	Nut, Cap	3
4	10895	15021-3366-0	(000000-)	Gasket	3
5	39159	15221-6663-0	(000000-)	Cover, Decompression Hole	3
6	10839	15221-6664-0	(000000-)	Gasket, Cover	3
7	39160	01023-50614	(000000-)	Bolt	6
8	39161	15221-3314-0	(000000-)	Plug, Oil Filler	1
9	39162	04811-50300	(000000-)	O-Ring	1
10	39163	15221-6619-0	(000000-)	Holder, Decompression Wire	1
11	39160	01023-50614	(000000-)	Bolt	2
12	39164	15221-6628-0	(000000-)	Spring, Decompression	1
13	39165	15521-6604-0	(000000-)	Shaft Assembly, Decompression	1
14	39166	15221-6635-0	(000000-)	Bolt, Decompression	3
15	39167	15221-6636-0	(000000-)	Nut, Decompression	3
16	39168	04811-06100	(000000-)	O-Ring	1
17	39169	15221-6641-0	(000000-)	Bolt	1
18	39065	04512-50060	(000000-)	Washer, Spring	1
19	39170	15521-0514-0	(000000-)	Plate, Breather Element	1
20	39171	15521-0515-0	(000000-)	Plate, Breather Element	1
21	39172	15521-0567-0	(000000-)	Element, Breather	1
22	39173	15521-0537-0	(000000-)	Oil Shield, Breather	1
23	39174	15521-9331-0	(000000-)	Screw	2
24	39175	15521-0555-0	(000000-)	Joint, Breather Pipe	1
25	39176	15521-0551-0	(000000-)	Pipe, Breather	1
26	39177	15401-0558-0	(000000-)	Clamp, Pipe	1
27	39178	19271-8711-0	(000000-)	Plate, Name	1
28	39179	19231-8731-0	(000000-)	Label, Oil	1

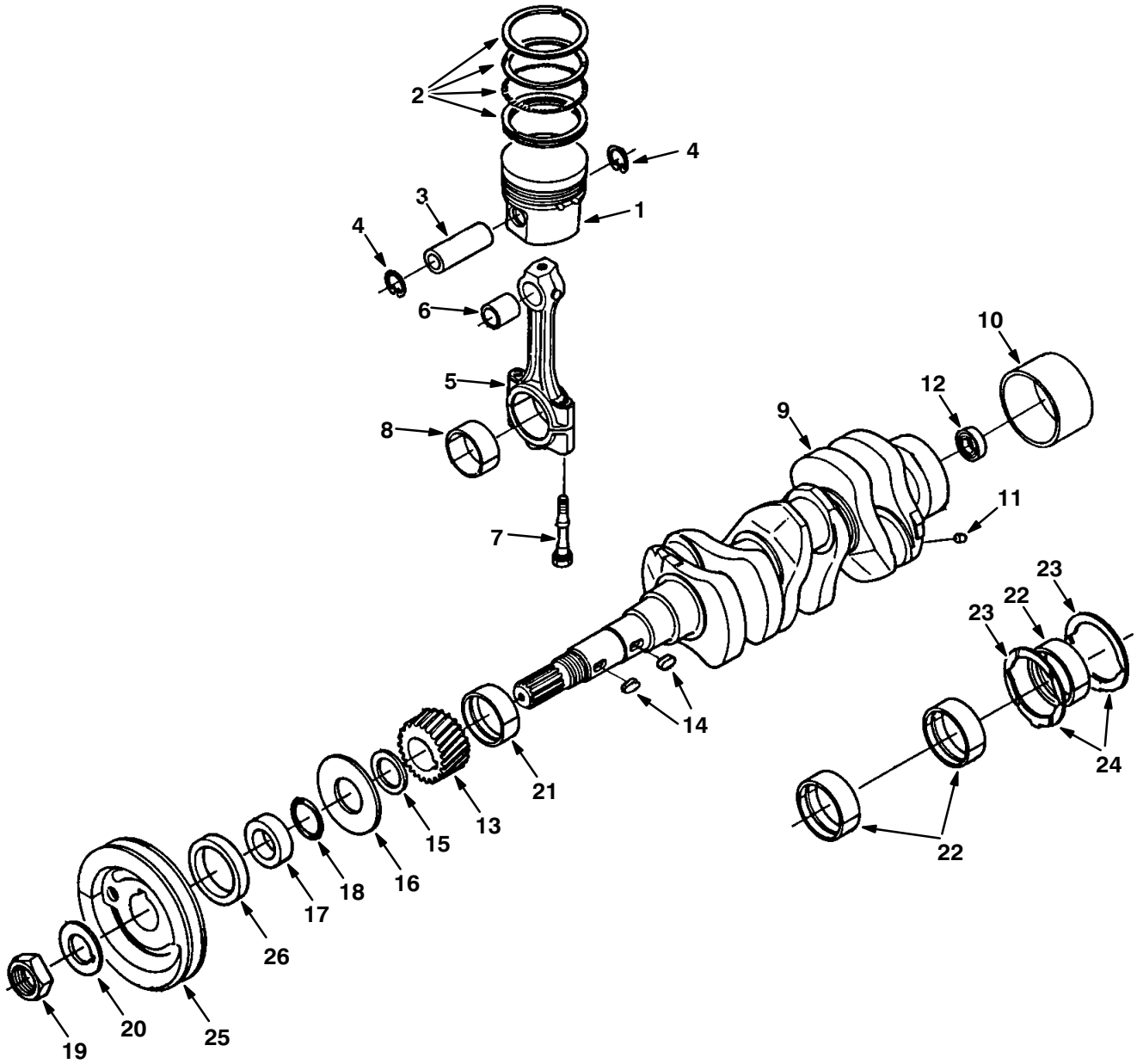


Fig. 9 – Piston and Crankshaft Group

Fig. 9 – Piston and Crankshaft Group

Key	TENNANT Part No.	Kubota Part Number	Engine Serial Number	Description	Qty.
1	10838	19274-2111-0	(000000-)	Piston	3
2	10837	15521-2105-0	(000000-)	Ring Assembly, Piston	3
3	30089	15521-2131-0	(000000-)	Pin, Piston	3
4	30090	15221-2133-0	(000000-)	Cir-Clip, Piston Pin	6
5	39180	15471-2201-0	(000000-)	Rod Assembly, Connecting	3
6	30088	15221-2198-0	(000000-)	Bushing, Piston Pin	3
7	39181	15521-2214-0	(000000-)	Bolt, Connecting Rod	6
8	10841	15471-2231-0	(000000-)	Bearing, Crank Pin	6
9	39182	15595-2301-0	(000000-)	Crankshaft Assembly	1
10	12798	19202-2328-0	(000000-)	Sleeve, Crankshaft	1
11	39183	15221-3363-0	(000000-)	Plug, Pin	3
12	39184	08121-06002	(000000-)	Bearing, Ball	1
13	39185	15521-2411-0	(000000-)	Gear, Crankshaft	1
14	39186	05712-00720	(000000-)	Key, Feather	2
15	39187	15221-2413-0	(000000-)	Collar, Crank Gear	1
16	10840	15221-2331-0	(000000-)	Slinger, Oil	1
17	12797	19202-2325-0	(000000-)	Collar, Crankshaft	1
18	39188	04811-10300	(000000-)	O-Ring	1
19	39189	15221-2336-0	(000000-)	Nut, Crankshaft	1
20	39190	15221-2338-0	(000000-)	Washer, Crankshaft	1
21	10843	15221-2347-0	(000000-)	Bearing, Crankshaft	1
22	39191	15221-2348-0	(000000-)	Bearing, Crankshaft	6
23	10844	15521-2353-0	(000000-)	Bearing, Side	2
24	10845	19202-2354-0	(000000-)	Bearing, Side	2
25	39192	15321-7428-0	(000000-)	Sheave, Crankshaft	1
26	39131	09550-00001	(000000-)	Seal, Oil	1

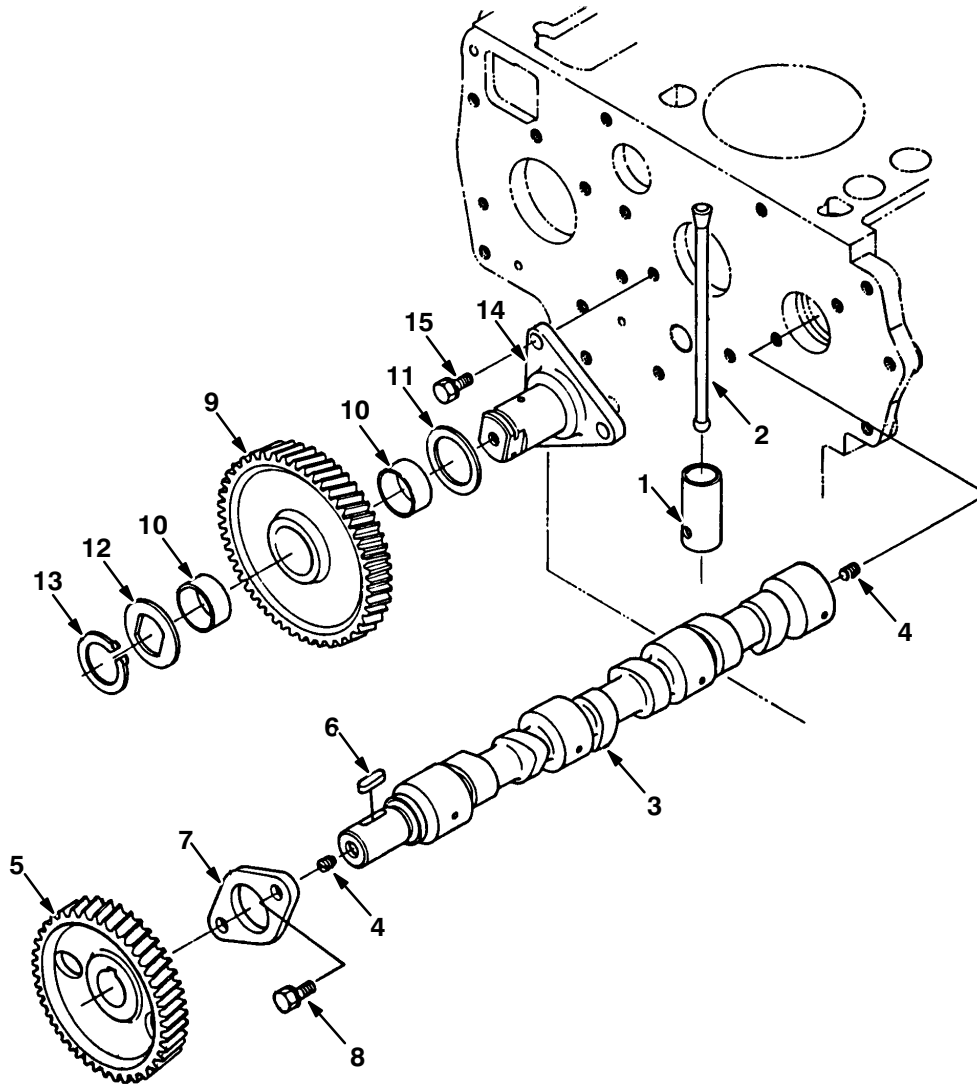


Fig. 10 – Camshaft Group

02692

Key	TENNANT Part No.	Kubota Part Number	Engine Serial Number	Description	Qty.
1	39193	15221-1555-0	(000000-)	Tappet	6
2	39194	15221-1511-0	(000000-)	Rod, Push	6
	39195	15521-1601-0	(000000-)	Camshaft Assembly	1
3	39196	15521-1615-0	(000000-)	Camshaft	1
4	39197	15521-9361-0	(000000-)	Screw, Set	2
5	39198	15521-1651-0	(000000-)	Gear, Camshaft	1
6	39186	05712-00720	(000000-)	Key, Feather	1
7	39199	15221-1627-0	(000000-)	Stopper, Camshaft	1
8	39200	01123-50818	(000000-)	Bolt	2
9	39201	15221-2401-0	(000000-)	Gear Assembly, Idle	1
10	30076	15221-2498-0	(000000-)	Bushing, Idle Gear	2
11	39202	15521-2436-0	(000000-)	Collar	1
12	39203	15521-2437-0	(000000-)	Collar	1
13	39211	15221-2432-0	(000000-)	Cir-Clip, External	1
14	39212	15221-2425-0	(000000-)	Shaft, Idler Gear	1
15	39200	01123-50818	(000000-)	Bolt	3

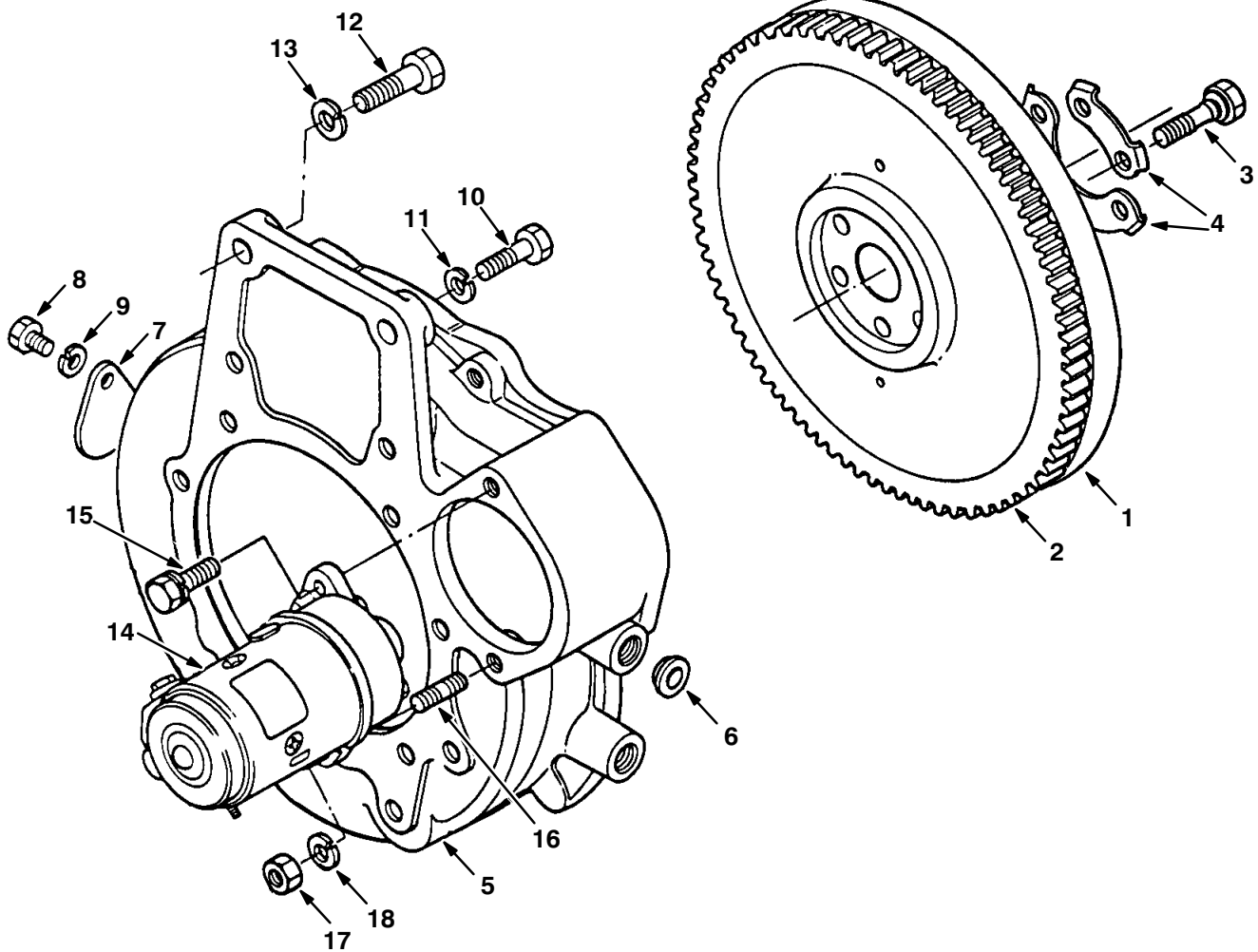


Fig. 11 – Flywheel Group

02694

Key	TENNANT Part No.	Kubota Part Number	Engine Serial Number	Description	Qty.
1	39213	15331-2501-0	(000000-)	Flywheel Assembly	1
2	30105	15221-6382-0	(000000-)	Gear, Ring	1
3	39223	15321-2516-0	(000000-)	Bolt, Flywheel	6
4	39384	15321-2517-0	(000000-)	Washer, Flywheel	3
5	39385	15348-0460-0	(000000-)	Housing Assembly, Flywheel	1
6	39386	31220-1429-0	(000000-)	Plug	4
7	39387	31220-1417-0	(000000-)	Cover	1
8	39388	01153-50812	(000000-)	Bolt	1
9	39097	04512-50080	(000000-)	Washer, Spring	1
10	39389	01073-51030	(000000-)	Bolt	11
11	39399	04512-50100	(000000-)	Washer, Spring	11
12	39400	01073-51240	(000000-)	Bolt	2
13	39401	04512-50120	(000000-)	Washer, Spring	2
14	38957	15461-63011	(000000-)	Starter	1
15	39458	01133-51030	(000000-)	Bolt	1
16	39480	01517-51028	(000000-)	Stud	1
17	39481	02176-50100	(000000-)	Nut	1
18	39399	04512-50100	(000000-)	Washer, Spring	1

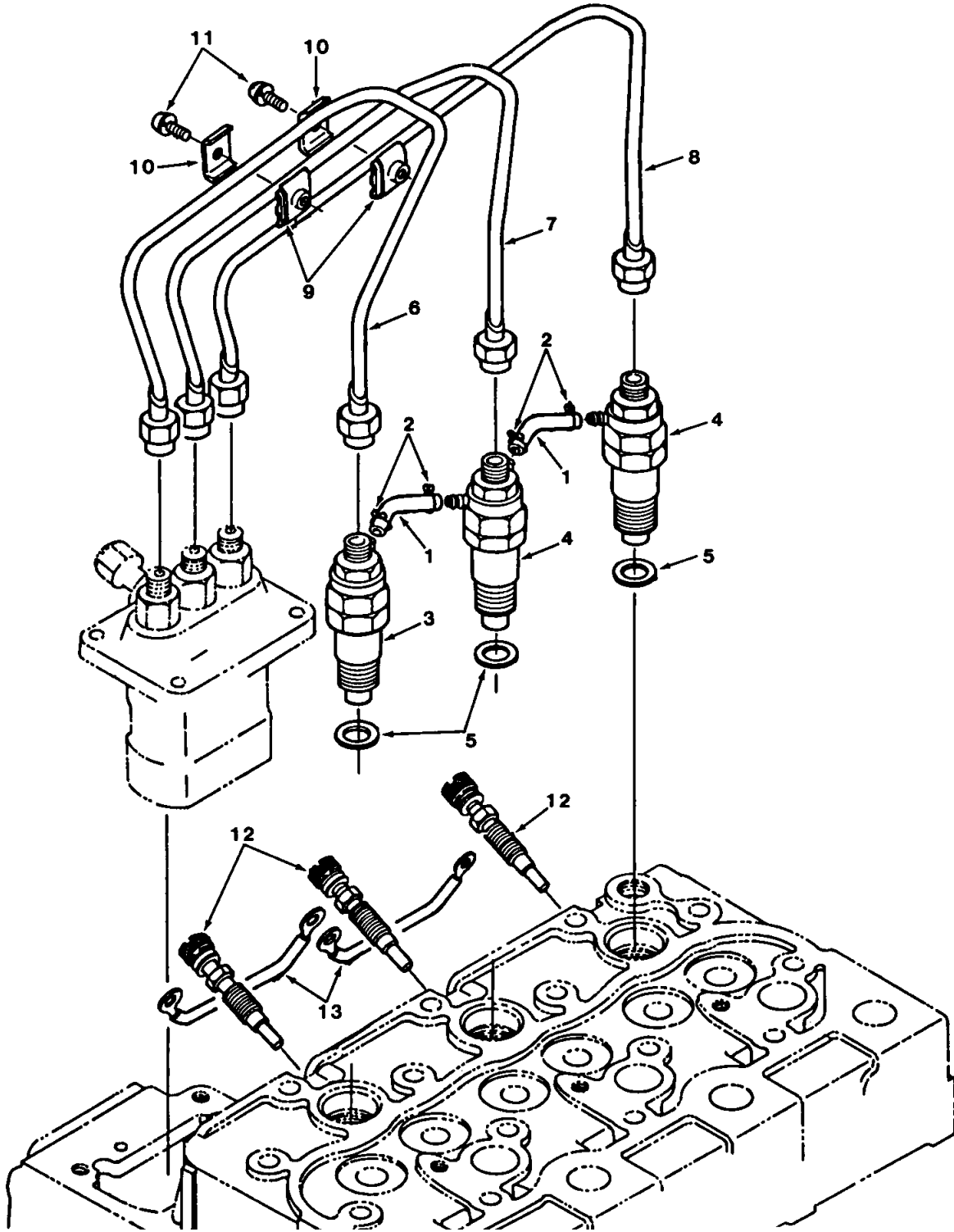


Fig. 12 – Nozzle Group

Fig. 12 – Nozzle Group

Key	TENNANT Part No.	Kubota Part Number	Engine Serial Number	Description	Qty.
1	39482	15221-4251-0	(000000-)	Pipe, Fuel Over Flow	2
2	39500	14971-4275-0	(000000-)	Clip, Pipe	4
3	39501	15271-5300-0	(000000-)	Holder Assembly, Nozzle	1
4	39502	15271-5302-0	(000000-)	Holder Assembly, Nozzle	2
5	12892	17011-5362-0	(000000-)	Gasket	3
6	39503	15221-5371-0	(000000-)	Pipe, Injection	1
7	39504	15221-5372-0	(000000-)	Pipe, Injection	1
8	39505	15321-5373-0	(000000-)	Pipe, Injection	1
9	39506	15121-5385-0	(000000-)	Clamp, Pipe	2
10	39507	15121-5386-0	(000000-)	Clamp, Pipe	2
11	39508	03024-50520	(000000-)	Screw	2
12	30048	15521-6551-0	(000000-)	Glow Plug	3
13	39509	15401-6556-0	(000000-)	Cord, Glow Plug	2

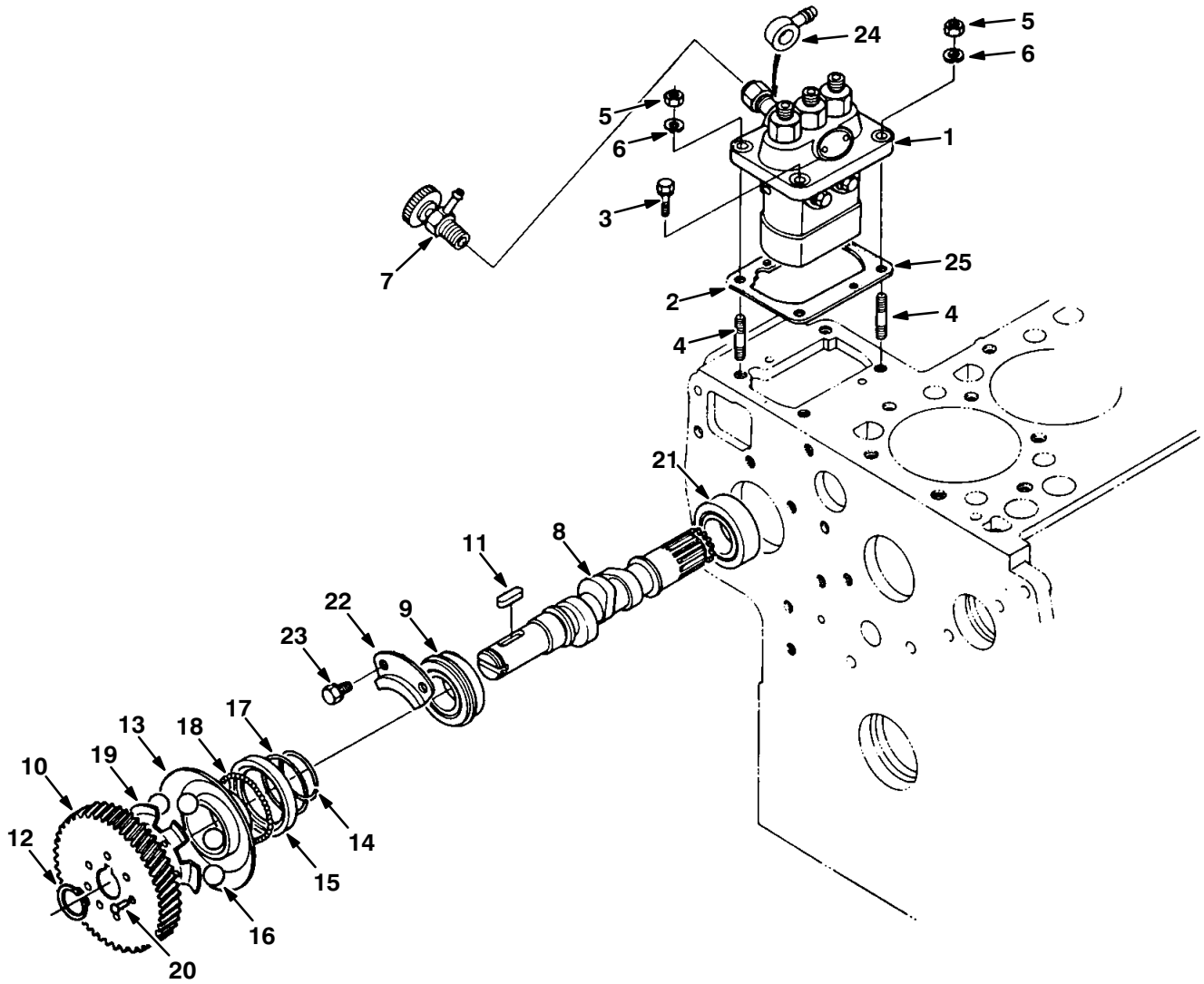


Fig. 13 – Fuel Camshaft Group

Fig. 13 – Fuel Camshaft Group

Key	TENNANT Part No.	Kubota Part Number	Engine Serial Number	Description	Qty.
1	39510	15521-5101-0	(000000-)	Pump Assembly, Injection	1
2	39511	15321-5211-0	(000000-)	Shim, Injection Pump	As Req.
3	39138	01123-50822	(000000-)	Bolt	2
4	39512	01513-50822	(000000-)	Stud	2
5	39096	02156-50080	(000000-)	Nut	2
6	39097	04512-50080	(000000-)	Washer, Spring	2
7	39513	14311-6050-4	(000000-)	Cock Assembly, Jet-Start	1
	39514	15521-1602-0	(000000-)	Camshaft Assembly, Fuel	1
8	39516	15521-1617-0	(000000-)	Camshaft, Fuel	1
9	10846	08153-06205	(000000-)	Bearing, Ball	1
10	39517	15401-5115-0	(000000-)	Gear, Injection Pump	1
11	39518	05712-00525	(000000-)	Key, Feather	1
12	39519	04612-00240	(000000-)	Cir-Clip, External	1
13	39520	15221-5545-0	(000000-)	Sleeve, Governor	1
14	39521	15221-5547-0	(000000-)	Cir-Clip, Sleeve	1
15	39522	15221-5569-0	(000000-)	Case, Governor Ball	1
16	39523	07715-03205	(000000-)	Ball	39
17	39524	15221-5574-0	(000000-)	Cir-Clip, Ball Case	1
18	39633	07715-00805	(000000-)	Ball	7
19	39635	15521-5565-0	(000000-)	Guide, Governor Ball	1
20	39645	05611-10310	(000000-)	Rivet	7
21	39710	08103-06205	(000000-)	Bearing, Ball	1
22	39713	15221-1632-0	(000000-)	Stopper, Fuel Camshaft	1
23	39073	01123-50814	(000000-)	Bolt	2
24	39784	14111-4241-0	(000000-)	Connector	1
25	40006	15521-5211-0	(000000-)	Shim	As Req.

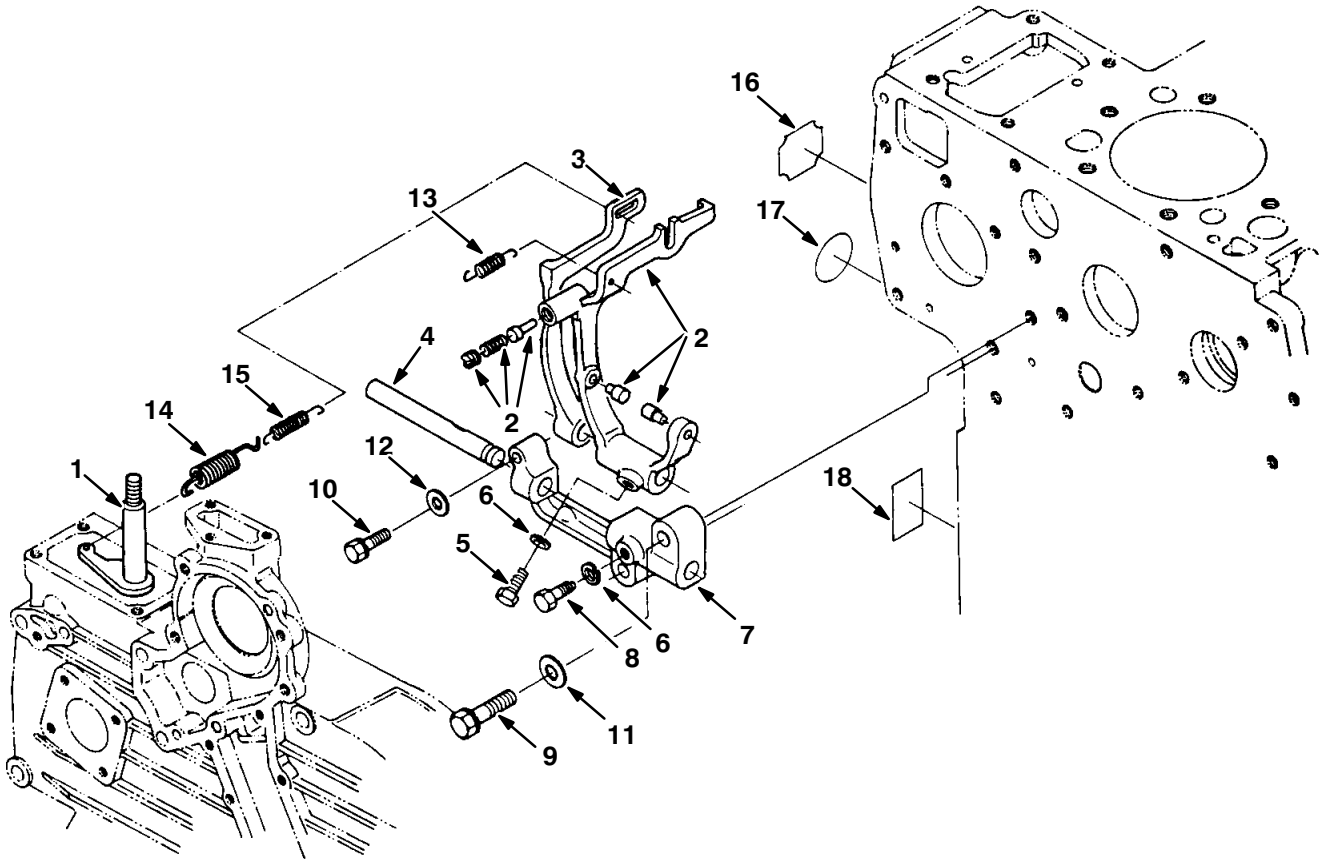


Fig. 14 – Governor Group

02697

Key	TENNANT Part No.	Kubota Part Number	Engine Serial Number	Description	Qty.
1	40021	15601-5602-0	(000000-)	Lever Assembly, Governor	1
	40025	15521-5605-0	(000000-)	Lever Assembly, Fork	1
2	40026	15521-5604-0	(000000-)	Lever Assembly, Fork	1
3	40031	15611-5613-0	(000000-)	Lever, Fork	1
4	40032	15221-5615-0	(000000-)	Shaft, Fork Lever	1
5	40033	15021-5624-0	(000000-)	Bolt, Lever Shaft	1
6	39065	04512-50060	(000000-)	Washer, Spring	2
7	40040	15221-5623-0	(000000-)	Holder, Fork Lever	1
8	39169	15221-6641-0	(000000-)	Bolt	1
9	40079	01123-50832	(000000-)	Bolt	2
10	40080	01023-50628	(000000-)	Bolt	1
11	39148	04012-50080	(000000-)	Washer, Plain	2
12	40083	04012-50060	(000000-)	Washer, Spring	1
13	40111	15601-5648-0	(000000-)	Spring, Start	1
14	40112	15521-5641-0	(000000-)	Spring, Governor	1
15	40113	15521-5642-0	(000000-)	Spring, Governor	1
16	40114	15612-8721-0	(000000-)	Label, Caution	1
17	40124	09999-00002	(000000-)	Label, Inspection	1
18	40149	15103-9459-0	(000000-)	Label, Drain	1

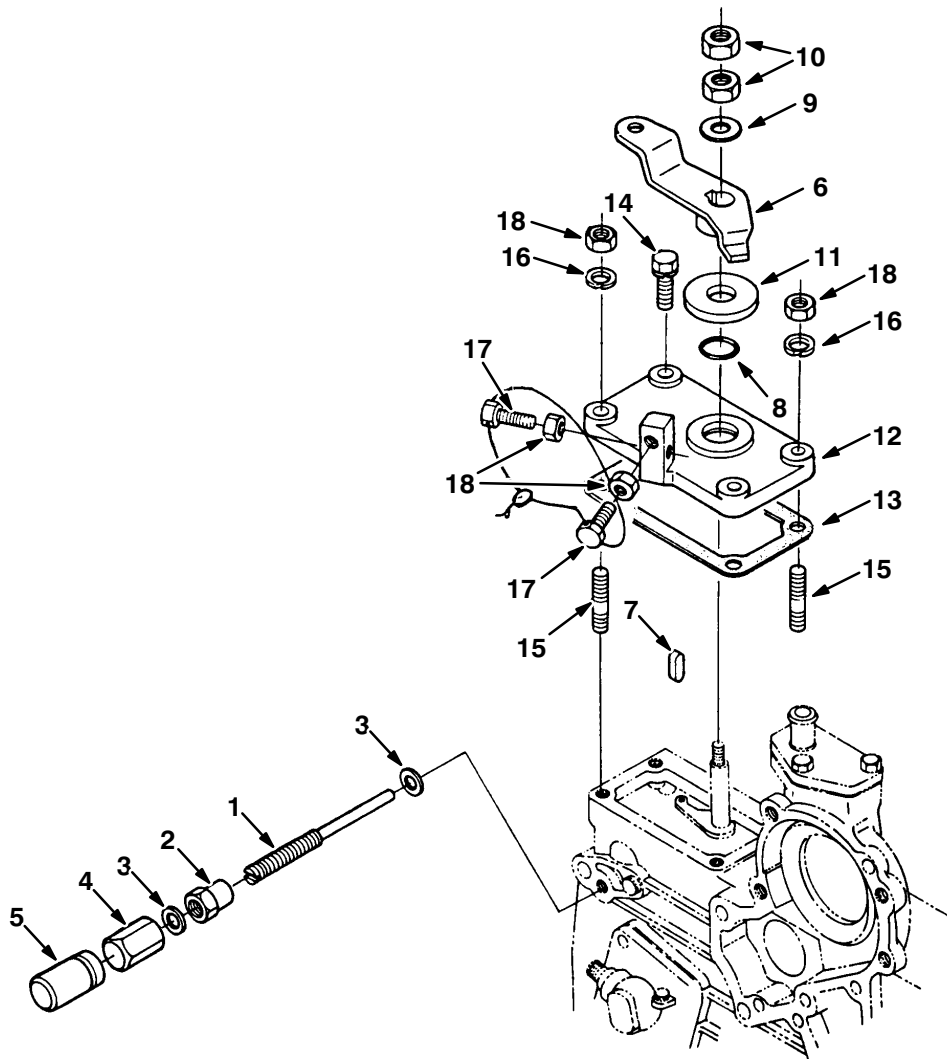


Fig. 15 – Speed Control Plate Group

02698

Key	TENNANT Part No.	Kubota Part Number	Engine Serial Number	Description	Qty.
1	40159	15601-5412-0	(000000-)	Bolt, Adjusting	1
2	40165	15601-9201-0	(000000-)	Nut	1
3	40166	15601-9665-0	(000000-)	Gasket	2
4	40184	15601-5422-0	(000000-)	Nut, Cap	1
5	40197	15601-5442-0	(000000-)	Cap	1
6	40202	15469-5715-0	(000000-)	Lever, Speed Control	1
7	40203	05712-00408	(000000-)	Key, Feather	1
8	40204	04811-00120	(000000-)	O-Ring	1
9	40231	04013-50080	(000000-)	Washer, Plain	1
10	40233	02112-50080	(000000-)	Nut	2
11	40265	17011-5738-0	(000000-)	Plate, Friction	1
12	40285	15521-5711-0	(000000-)	Plate, Speed Control	1
13	40289	15221-5721-0	(000000-)	Gasket, Control Plate	1
14	39119	01023-50620	(000000-)	Bolt	2
15	39120	15221-8821-0	(000000-)	Stud	2
16	39065	04512-50060	(000000-)	Washer, Spring	2
17	40290	15108-5728-0	(000000-)	Stopper	2
18	39121	02056-50060	(000000-)	Nut	4

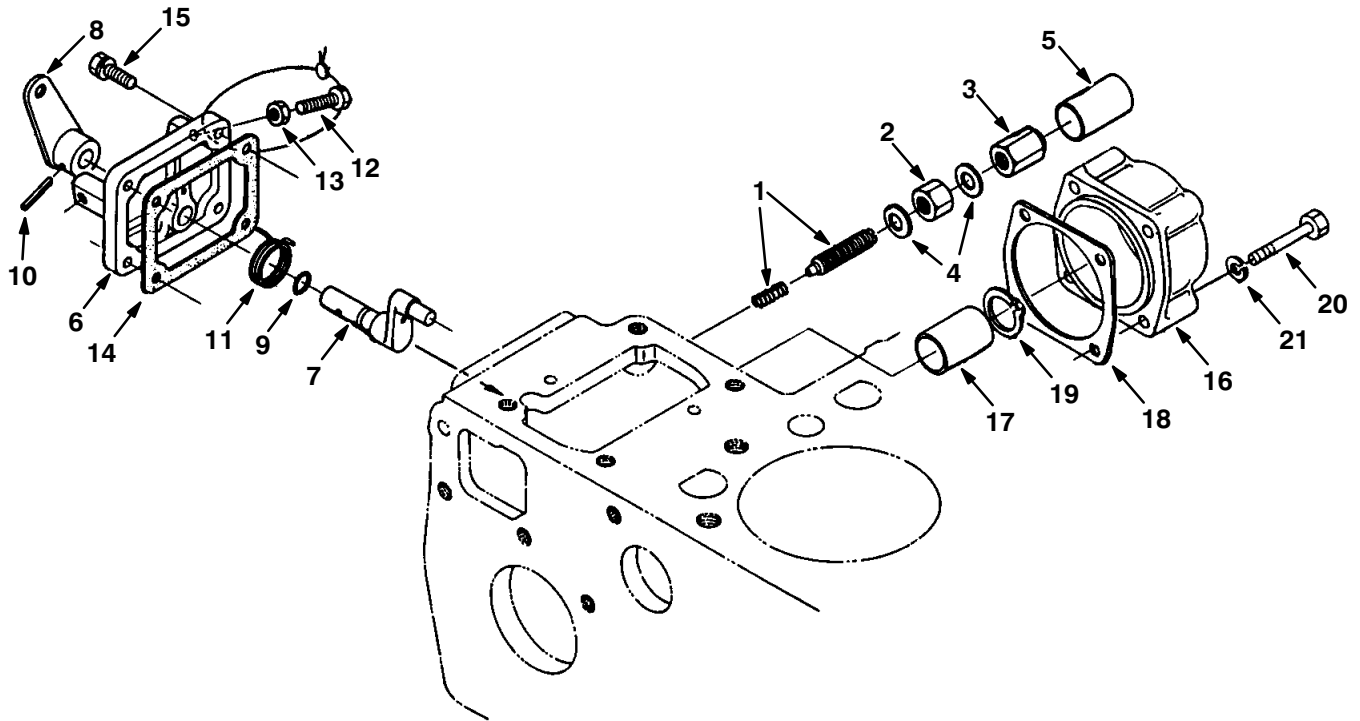


Fig. 16 – Stop Lever Group

02699

Key	TENNANT Part No.	Kubota Part Number	Engine Serial Number	Description	Qty.
1	40333	15521-5409-0	(000000-)	Apparatus Assembly, Idle	1
	40334	15521-5410-0	(000000-)	Bolt Assembly, Adjusting	1
2	40375	15401-9201-0	(000000-)	Nut	1
3	40398	15521-9233-0	(000000-)	Nut, Cap	1
4	10895	15021-3366-0	(000000-)	Gasket	2
5	40400	15521-5427-0	(000000-)	Cap	1
	40401	15521-5770-0	(000000-)	Lever Assembly, Engine Stop	1
6	40402	15521-5165-0	(000000-)	Cover, Injection Pump	1
7	40403	15611-5774-0	(000000-)	Shaft, Lever	1
8	40404	15611-5772-0	(000000-)	Lever, Engine Stop	1
9	40405	04811-10070	(000000-)	O-Ring	1
10	40407	05411-00420	(000000-)	Pin, Spring	1
11	40408	15611-5751-0	(000000-)	Spring	1
12	40290	15108-5728-0	(000000-)	Stopper	1
13	39121	02056-50060	(000000-)	Nut	1
14	10847	15221-5166-0	(000000-)	Gasket, Pump Cover	1
15	40409	01023-50618	(000000-)	Bolt	4
16	40410	15225-1621-0	(000000-)	Cover, Fuel Camshaft	1
17	40411	15225-1619-0	(000000-)	Collar	1
18	40412	34150-3786-0	(000000-)	Packing	1
19	40413	04612-00250	(000000-)	Cir-Clip, External	1
20	40415	01153-50865	(000000-)	Bolt	4
21	39097	04512-50080	(000000-)	Washer, Spring	4

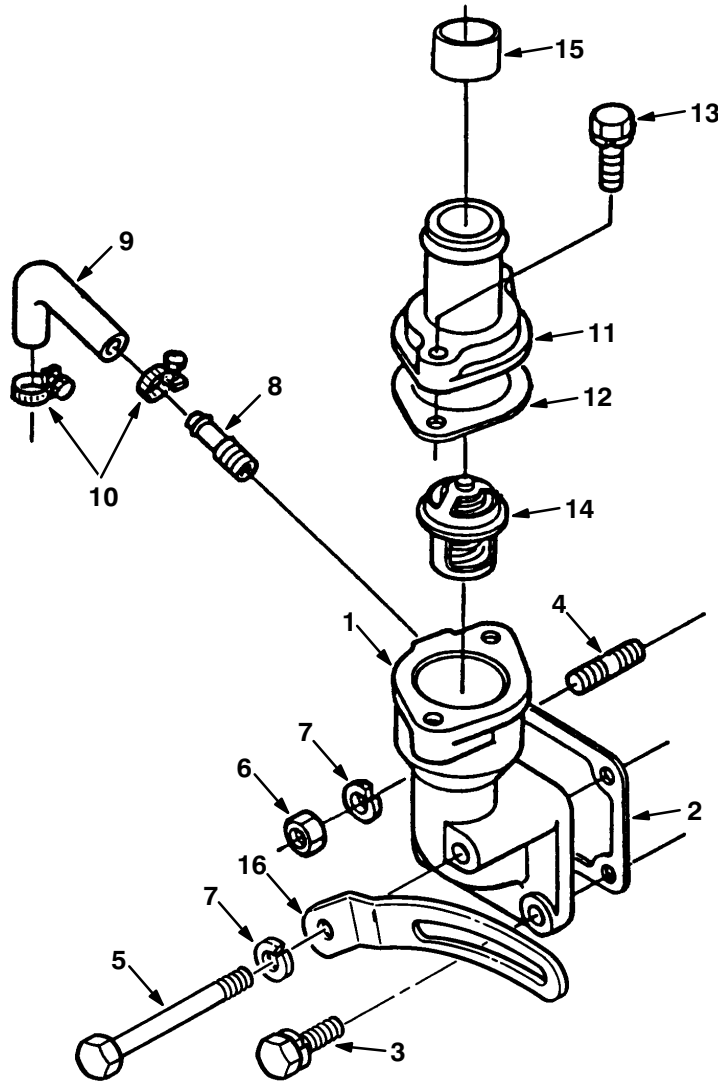


Fig. 17 – Thermostat Group

02700

Key	TENNANT Part No.	Kubota Part Number	Engine Serial Number	Description	Qty.
1	10848	15521-7291-0	(000000-)	Flange, Water	1
2	10850	15521-7292-0	(000000-)	Gasket, Water Flange	1
3	39138	01123-50822	(000000-)	Bolt	2
4	39512	01513-50822	(000000-)	Stud	1
5	39107	01153-50870	(000000-)	Bolt	1
6	39096	02156-50080	(000000-)	Nut	1
7	39097	04512-50080	(000000-)	Washer, Spring	2
8	40081	15321-7334-0	(000000-)	Pipe, Water Return	1
9	12795	15521-7334-0	(000000-)	Pipe, Water Return	1
10	40416	15109-7336-0	(000000-)	Band, Pipe	2
11	10849	15321-7326-0	(000000-)	Cover, Thermostat	1
12	10851	15321-7327-0	(000000-)	Gasket, Thermostat Cover	1
13	40418	01123-50835	(000000-)	Bolt	2
14	10852	15321-7301-0	(000000-)	Thermostat Assembly	1
15	40419	15000-3618-0	(000000-)	Cap	2
16	03254	15321-6442-0	(000000-)	Adjustment, Arm	1

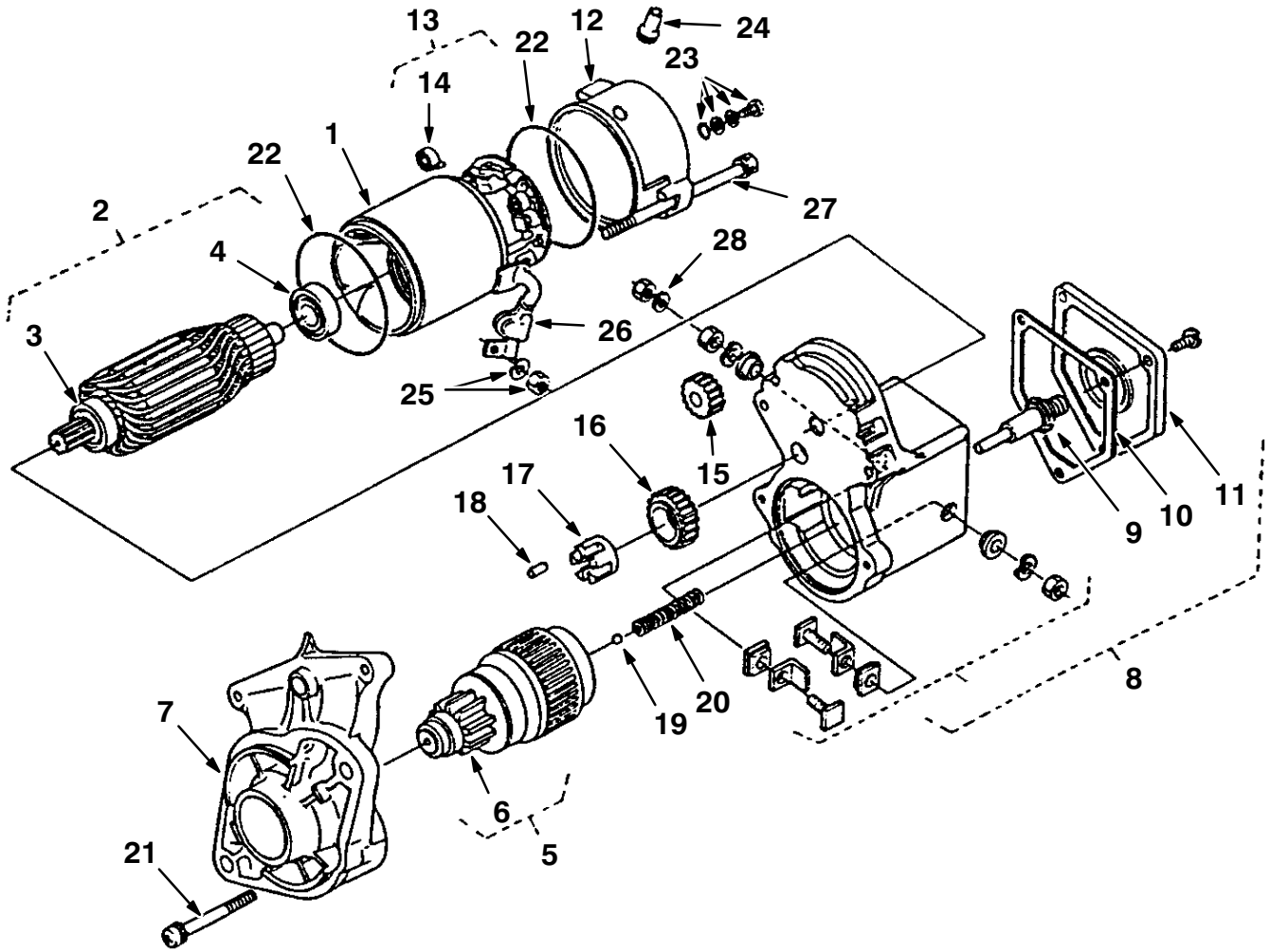


Fig. 18 – Starter Breakdown

Fig. 18 – Starter Breakdown

Key	TENNANT Part No.	Kubota Part Number	Engine Serial Number	Description	Qty.
	38957	15461-63011	(000000-)	Starter	1
1	20416	15461-6308-0	(000000-)	Yoke Assembly	1
2	20425	15511-6307-0	(000000-)	Armature Assembly	1
3	20430	15511-6350-0	(000000-)	Ball Bearing	1
4	20431	15511-6353-0	(000000-)	Ball Bearing	1
5	20423	15471-6304-0	(000000-)	Clutch Assembly	1
6	20700	17381-6328-0	(000000-)	Bevel Pinion	1
7	20424	15511-6303-0	(000000-)	Drive End Frame	1
8	20694	17341-6302-0	(000000-)	Magnet Switch	1
9	20419	15461-6399-0	(000000-)	Plunger	1
10	20418	15461-6352-0	(000000-)	Gasket	1
11	20417	15461-6351-0	(000000-)	Solenoid Cover	1
12	20426	15511-6320-0	(000000-)	End Frame	1
13	20428	15511-6338-0	(000000-)	Brush Holder	1
14	40442	70000-65348	(000000-)	Brush Spring	4
15	20427	15511-6326-0	(000000-)	Gear	1
16	40457	15401-6327-0	(000000-)	Gear	1
17	73545	19212-6311-0	(000000-)	Retainer	1
18	73544	19212-6310-0	(000000-)	Roller	5
19	73546	19212-9713-0	(000000-)	Ball	1
20	73547	19212-6312-0	(000000-)	Spring	1
21	73548	15501-9331-0	(000000-)	Pan Screw	2
22	20433	15511-9666-0	(000000-)	O-Ring	2
23	20432	15511-6376-0	(000000-)	Bolt Assembly	2
24	20429	15511-6345-0	(000000-)	Cover	1
25	73551	13963-9201-0	(000000-)	Hexagon Nut	1
26	73552	15504-6312-0	(000000-)	Cord Cover	1
27	20729	19215-6332-0	(000000-)	Through O-bolt	2
28	39097	04512-50080	(000000-)	Washer	1

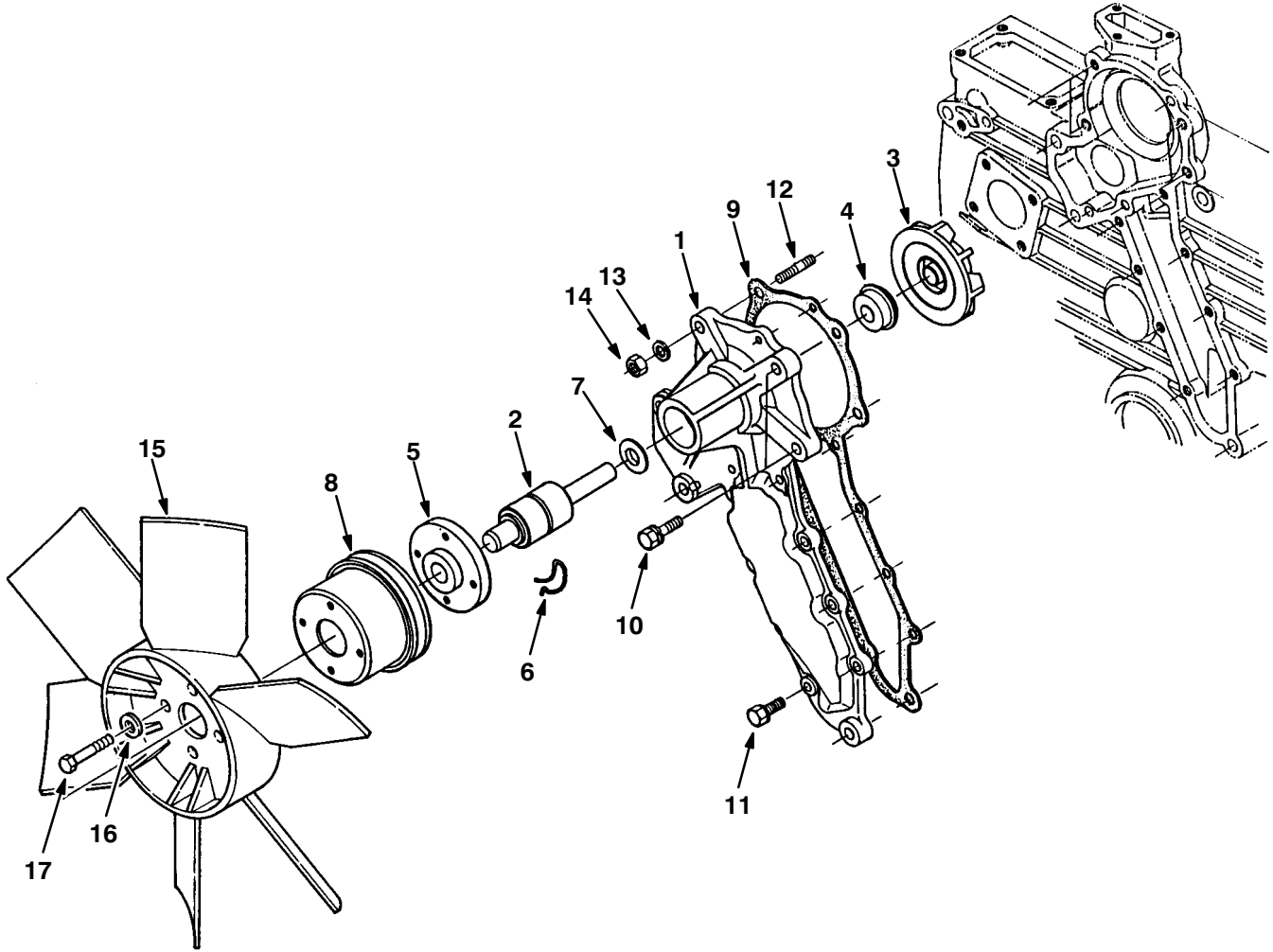


Fig. 19 – Water Pump Group

05176

Key	TENNANT Part No.	Kubota Part Number	Engine Serial Number	Description	Qty.
1	10853	15521-7303-0	(000000-)	Pump Assembly, Water	1
2	10854	15521-7355-0	(000000-)	Bearing	1
3	40420	15321-7351-0	(000000-)	Impeller, Water Pump	1
4	40421	15121-7305-0	(000000-)	Set Seal	1
5	10892	15521-7352-0	(000000-)	Flange, Water Pump Shaft	1
6	40422	15521-9481-0	(000000-)	Pin, Snap	1
7	40431	15121-7362-0	(000000-)	Slinger	1
8	40433	15521-7425-0	(000000-)	Pulley, Fan	1
9	10893	15521-7343-0	(000000-)	Gasket, Water Pump	1
10	39129	01123-50828	(000000-)	Bolt	2
11	40409	01023-50618	(000000-)	Bolt	8
12	40434	01518-50822	(000000-)	Stud	2
13	39097	04512-50080	(000000-)	Washer, Spring	2
14	39096	02156-50080	(000000-)	Nut	2
15	82537		(000000-)	Fan	1
16	07799		(000000-)	Washer	4
17	06943		(000000-)	Screw, Hex, M6	4

SECTION 15

CONTENTS

	Page
PART NUMBER TO PAGE NUMBER CROSS REFERENCE LIST	15-1

PART NUMBER TO PAGE NUMBER CROSS REFERENCE LIST

Part Number	Page Number	Part Number	Page Number
A850X-6013-AA ..	13-13, 13-18	DORY-6666-A ...	13-13
A85OX-6013-AA .	12-13, 12-21	DORY-6670-A ...	13-13
A85OX-6014-KNA	12-21	DORY-6674-A ...	13-13
AGRF-22	12-19	DORY-6B316-A ..	13-11
C5TE-8575-B	12-17	E0FZ-6730-B	12-13
C6AH-12390-B ...	12-19	E0FZ-6734-A	12-13
D0RY-6253-A	12-9	E4AF-12A648-AA	13-14
D0RY-6255-A	12-9	E600113-S72	12-15, 12-17, 13-16
D0RY-6258-A	12-9	E600115-S72	12-15
D0RY-6261-A	12-9	E600116-S72	12-9, 13-9
D0RY-6261-B	12-9	E600314-S72	12-9
D0RY-6262-A	12-9	E602165-S72	12-13, 13-13
D0RY-6262-B	12-9	E602166-S72	12-9, 13-9
D0RY-6268-A	12-9	E602167-S71	12-15
D0RY-6269-A	12-9	E602187-S82	12-11, 12-17, 13-11, 13-16
D0RY-6306-A	12-11	E602188-S72	12-13, 12-14
D0RY-6549-B	12-9	E602351-S72	12-9, 13-9
D0RY-6587-A	12-9	E603166-S72	12-5
D0RY-6652-A	12-13	E620433-S72	12-14
D0RY-6666-A	12-13	E630031-S101 ...	12-9, 13-9
D0RY-6670-A	12-13	E630152-S71	12-15, 13-15
D0RY-6674-A	12-13	E630173-S71	12-14
D0RY-6B316-A ...	12-11	E630173-S71M ...	12-11, 12-13, 12-17, 13-11,
D1FZ-6026-E	12-9, 13-9		13-13, 13-16
D1FZ-6284-A	12-9, 13-9	E800113-S72	13-15
D1FZ-6286-A	12-9, 13-9	E800157-S72	13-14
D1FZ-6345-A	12-7, 13-7	E800334-S76	12-11
D1FZ-6397-B	13-19	E800509-S72	13-9
D1FZ-6500-A	12-9	E800512-S72	13-15
D1FZ-6514-B	12-5	E800516-S72	13-5
D1FZ-6518-B	12-5	E800518-S72	13-15
D1FZ-6571-B	12-5	E800519-S72	13-13
D1FZ-6608-B	12-13, 13-13	E802166-S76	13-17
D1FZ-6659-A	12-13	E802666-S72	13-7
D1RY-12143-A ...	12-19	E804335-S201 ...	13-17
D2RY-6379-A	13-19	E804627-S76	12-14
D7RZ-6701-A	13-11	E830135-S76	12-11, 13-11
D8RZ-6020-A	12-15	E840126-S	12-5, 13-5
D8RZ-6026-A	12-7, 13-7	E865648-S	13-17
D8RZ-6026-B	12-5, 12-7, 13-5, 13-7	E890100-S	12-7, 13-7
D8RZ-6310-A	12-11, 13-11	E8JL-12A200-AC .	13-17
D8RZ-6384-A	12-22	EOFZ-6730-B	13-13
D8RZ-6600-A	12-13, 13-13	EOFZ-6734-A	13-13
D8RZ-6750-A	12-13	RT-351	13-16
D8RZ-6767-A	12-7, 13-7	SK1444	6-9
D8RZ-8501-A	12-17	SK2136	5-11
D8RZ-8507-A	12-17	SK2137	5-11
DORY-6253-A ...	13-9	SK2498	10-4
DORY-6255-A ...	13-9	SK2561	11-17
DORY-6258-A ...	13-9	00500-15	11-8, 11-9, 11-18
DORY-6261-A ...	13-9	00500-5	5-31, 7-13
DORY-6261-B ...	13-9	00927	5-61
DORY-6262-A ...	13-9	00966	11-17
DORY-6262-B ...	13-9	01023-50614	14-15
DORY-6268-A ...	13-9	01023-50618	14-26, 14-30
DORY-6269-A ...	13-9	01023-50620	14-9, 14-25
DORY-6306-A ...	13-11	01023-50628	14-24
DORY-6549-B ...	13-9	01053-50648	14-5
DORY-6587-A ...	13-9	01073-51030	14-19
DORY-6652-A ...	13-13	01073-51240	14-19

CROSS REFERENCE

Part Number	Page Number	Part Number	Page Number
01123-50814	14-6, 14-23	03176	5-33
01123-50816	14-7	03194	5-21
01123-50818	14-18	03232	5-36
01123-50822	14-11, 14-23, 14-27	03233	5-31, 7-13
01123-50825	14-10	03252	5-36
01123-50828	14-10, 14-30	03254	14-27
01123-50832	14-24	03410-00808	14-13
01123-50835	14-27	03491	7-7
01123-50860	14-9	03494	5-70, 5-71
01133-51025	14-6	03495	5-70, 5-71
01133-51030	14-19	03503	7-9
01153-50812	14-19	03504	7-9
01153-50865	14-26	03505	7-9
01153-50870	14-9, 14-27	03517	5-18, 11-7
01153-50880	14-9	03518	11-7
01153-50895	14-9	03519	11-7
01513-50822	14-23, 14-27	03593	8-7
01517-51028	14-19	03594	8-7
01518-50822	14-30	03600	5-55, 8-7
01685	5-73	03601	5-55, 8-7
01686	5-73	03602	5-61
01692	5-73	03684	6-9
01844	5-31, 7-13	03708	5-55
02056-50060	14-9, 14-25, 14-26	03711	10-4, 10-5
02112-50080	14-25	03712	5-70
02156-50080	14-7, 14-11, 14-13, 14-23, 14-27, 14-30	03825	5-52
02176-50100	14-19	03829	5-52
02247	5-25, 7-7	03838	8-5, 10-4
02430	10-6	03922	5-53
02485	5-61	04011-50180	14-9
02506-6	9-8	04012-50060	14-24
02606	11-10	04012-50080	14-13, 14-24
02607	11-10, 11-12, 11-13, 11-16	04013-50080	14-25
02609	11-10, 11-11	04512-50060	14-5, 14-9, 14-15, 14-24, 14-25
02643	11-7	04512-50080	14-7, 14-9, 14-11, 14-13, 14-19, 14-23, 14-26, 14-27, 14-29, 14-30
02644	11-7	04512-50100	14-19
02646	11-7	04512-50120	14-19
02647	11-7	04612-00140	14-13
02650	11-5	04612-00240	14-23
02675	5-57	04612-00250	14-26
02701	5-13	04717-01600	14-7
02702	5-13	04811-00120	14-25
02704	5-19, 11-5	04811-00140	14-6
02705	11-5	04811-00150	14-9
02706	11-5	04811-00360	14-9
02707	11-5	04811-06100	14-15
02708	11-5	04811-10070	14-26
02709	11-5	04811-10300	14-17
02710	11-5	04811-50300	14-15
02711	11-5	05012-00408	14-5
02738	5-25, 5-27	05012-00609	14-5
02740	5-29	05012-00612	14-5, 14-9
02741	5-29	05012-01018	14-5
02887	5-21, 5-23	05411-00420	14-26
02961	7-5	05611-10310	14-23
02964	7-13	05712-00408	14-25
02965	7-13	05712-00410	14-5
03024-50520	14-21	05712-00525	14-23
03026	5-29, 7-5	05712-00720	14-17, 14-18
03158	5-31	05728	5-5
03160	5-20		

Part Number	Page Number	Part Number	Page Number
05729	5-5	08021	11-6
05730	5-5	08103-06205	14-23
05792	6-5	08121-06002	14-17
06225	5-41, 5-43	08153-06205	14-23
06279	5-63	08156	5-7, 5-39, 5-55, 8-7
06311-75015	14-5	08165	5-23
06311-75045	14-5	08228	9-18
06418	5-63	09550-00001	14-17
06532	5-27, 6-7	09570	7-5
06750	5-18	09588	5-15, 5-17
06777	5-55, 7-18	09589	5-15, 5-17
06868	7-7	09601	5-15, 5-17
06869	7-7	09602	5-15, 5-17
06870	7-7	09624	5-63, 5-73, 9-15, 9-16
06871	7-7	09806	5-69
06907	7-7	09832	5-35, 5-36, 5-37, 5-38, 7-14
06918	7-13	09999-00002	14-24
06943	14-30	10075	12-13, 13-13
06999	5-33	10120	9-12
07056	5-46	10137	5-39
07103	6-5	10143	7-15
07104	6-5	10165	5-73
07105	5-25, 6-5	10632-14	5-7
07113	5-31	10632-18	5-15, 5-17
07128	5-31	10632-19	6-9
07175	5-21, 5-23	10632-9	9-5
07189	5-31	10790	12-13
07250	5-25, 5-27	10791	12-13
07251	5-25, 5-27	10792	12-5
07252	5-25, 5-27	10795	12-5
07253	5-31	10802	12-19
07254	5-31	10803	12-19
07255	5-31	10804	12-19
07259	5-63	10805	12-19
07299	7-5, 7-14	10806	12-13, 12-21, 13-13, 13-18
07362	5-29	10835	14-15
07483	5-52	10837	14-17
07491	5-21	10838	14-17
07539	5-25, 5-27, 6-5, 6-7	10839	14-15
07540	5-39	10840	14-17
07562	5-29	10841	14-17
07597	6-7	10843	14-17
07598	6-7	10844	14-17
07602	6-7	10845	14-17
07704	12-5	10846	14-23
07705	5-4, 12-5, 13-5	10847	14-26
07706	12-11	10848	14-27
07707	12-11, 13-11	10849	14-27
07708	12-14	10850	14-27
07710	12-13, 13-13	10851	14-27
07712	12-17	10852	14-27
07713	12-17	10853	14-30
07714	12-14	10854	14-30
07715-00805	14-23	10865	5-47
07715-03205	14-23	10892	14-30
07715-03213	14-9	10893	14-30
07764	5-4, 12-19	10894	14-13
07770	12-19	10895	14-5, 14-15, 14-26
07797	5-18, 5-66, 5-67, 6-5	10896	14-13
07799	14-30	10897	14-13
07874	5-41, 5-43, 7-9, 9-8	10898	14-13
07885	5-41, 5-43, 7-9	10899	14-11

CROSS REFERENCE

Part Number	Page Number	Part Number	Page Number
10901	14-11	14601	8-5
10902	14-10	14811	9-17
10903	14-9	14838	5-5
10904	14-9	14971-4275-0	14-21
10905	14-7	15000-3608-0	14-7
10906	14-6	15000-3618-0	14-27
10907	14-6	15000-3624-0	14-11
10915	9-18, 10-7	15021-1424-0	14-13
11399	5-65, 8-5	15021-3366-0	14-5, 14-15, 14-26
11442-1	6-5, 6-7	15021-5624-0	14-24
11531	5-33, 5-35, 5-55, 7-10, 8-7, 9-10	15103-9459-0	14-24
116106-ES10	12-9, 13-9	15107	9-15
116336-ES100	12-11, 13-11	15108-5728-0	14-25, 14-26
116682-ES	12-13, 13-13	15109-7336-0	14-27
118297-ES8	12-5, 13-5	15121-5385-0	14-21
11842	5-63	15121-5386-0	14-21
11848	7-7	15121-7305-0	14-30
11870	8-5	15121-7362-0	14-30
11893	5-9	15201-9401-0	14-6
11984	5-21, 5-27, 5-41, 5-43, 6-5, 7-5, 7-7, 7-9	15221-0175-0	14-7
12045	5-25	15221-0338-0	14-5
12060	5-52	15221-0339-0	14-5
12068	8-5	15221-0349-0	14-7
12083	8-5, 9-17	15221-0436-0	14-10
120907-ES8	12-14	15221-0482-0	14-10
12295	5-68	15221-0482-0	14-10
12677	9-15	15221-1237-1	14-11
12678	9-15	15221-1311-0	14-13
12709	14-5	15221-1312-0	14-13
12710	14-5	15221-1315-0	14-13
12727	14-6	15221-1324-0	14-13
12793	14-7	15221-1328-0	14-13
12795	14-27	15221-1333-0	14-13
12796	14-9	15221-1336-0	14-13
12797	14-17	15221-1358-0	14-7
12798	14-17	15221-1418-0	14-13
12892	14-21	15221-1431-0	14-13
13015	5-39	15221-1435-0	14-13
13016	5-39	15221-1442-0	14-13
13106	5-68, 11-8	15221-1443-0	14-13
13110	5-57	15221-1511-0	14-18
13151	5-61	15221-1555-0	14-18
13248	5-35, 5-37, 5-38, 7-14	15221-1627-0	14-18
13534	5-61	15221-1632-0	14-23
13902	11-12, 11-13, 11-14, 11-15, 11-16	15221-2133-0	14-17
13904	11-11, 11-12, 11-13, 11-14, 11-15, 11-16	15221-2133-0	14-17
13932	11-12	15221-2198-0	14-17
13945	11-12, 11-13, 11-16	15221-2331-0	14-17
13947	11-12, 11-13, 11-16	15221-2336-0	14-17
13948	11-12, 11-13, 11-16	15221-2338-0	14-17
13963-9201-0	14-29	15221-2347-0	14-17
14111-4241-0	14-23	15221-2348-0	14-17
14131	5-41, 5-43, 7-9, 9-8	15221-2401-0	14-18
14138A	5-29	15221-2413-0	14-17
14311-6050-4	14-23	15221-2425-0	14-18
14412-7311-0	14-5	15221-2432-0	14-18
14432	5-29	15221-2498-0	14-18
14601	5-25, 5-27, 5-52, 6-5, 6-7, 7-11,	15221-3314-0	14-15
		15221-3361-0	14-5
		15221-3363-0	14-17
		15221-3365-0	14-5
		15221-3370-0	14-5
		15221-3375-0	14-6
		15221-3515-0	14-5

CROSS REFERENCE

Part Number	Page Number	Part Number	Page Number
15221-3567-0	14-5	15451-9233-0	14-15
15221-3568-0	14-5	15461-63011	14-19, 14-29
15221-4251-0	14-21	15461-6308-0	14-29
15221-5166-0	14-26	15461-6351-0	14-29
15221-5371-0	14-21	15461-6352-0	14-29
15221-5372-0	14-21	15461-6399-0	14-29
15221-5545-0	14-23	15469-5715-0	14-25
15221-5547-0	14-23	15471-2201-0	14-17
15221-5569-0	14-23	15471-2231-0	14-17
15221-5574-0	14-23	15471-6304-0	14-29
15221-5615-0	14-24	15501-1176-0	14-11
15221-5623-0	14-24	15501-9331-0	14-29
15221-5628-0	14-9	15504-6312-0	14-29
15221-5721-0	14-25	15511-6303-0	14-29
15221-6382-0	14-19	15511-6307-0	14-29
15221-6619-0	14-15	15511-6320-0	14-29
15221-6628-0	14-15	15511-6326-0	14-29
15221-6635-0	14-15	15511-6338-0	14-29
15221-6636-0	14-15	15511-6345-0	14-29
15221-6641-0	14-15, 14-24	15511-6350-0	14-29
15221-6663-0	14-15	15511-6353-0	14-29
15221-6664-0	14-15	15511-6376-0	14-29
15221-8813-0	14-9	15511-9666-0	14-29
15221-8821-0	14-9, 14-25	15521-0231-0	14-5
15221-9153-0	14-11	15521-0304-0	14-7
15222-8821-0	14-7	15521-0332-0	14-7
15223-8334-0	14-9	15521-0337-0	14-7
15225-1619-0	14-26	15521-0402-0	14-9
15225-1621-0	14-26	15521-0405-0	14-10
15241-3695-0	14-9	15521-0406-0	14-10
15261-9601-0	14-7	15521-0413-0	14-9
15271-5300-0	14-21	15521-0454-0	14-10
15271-5302-0	14-21	15521-0514-0	14-15
15280-3	5-13	15521-0515-0	14-15
15291-0456-0	14-10	15521-0537-0	14-15
15291-7316-0	14-5	15521-0551-0	14-15
15321-1231-4	14-11	15521-0555-0	14-15
15321-1405-0	14-13	15521-0567-0	14-15
15321-2516-0	14-19	15521-1182-0	14-11
15321-2517-0	14-19	15521-1235-0	14-11
15321-3501-0	14-5	15521-1423-0	14-13
15321-5211-0	14-23	15521-1451-0	14-15
15321-5373-0	14-21	15521-1452-0	14-15
15321-6442-0	14-27	15521-1601-0	14-18
15321-7301-0	14-27	15521-1602-0	14-23
15321-7326-0	14-27	15521-1615-0	14-18
15321-7327-0	14-27	15521-1617-0	14-23
15321-7334-0	14-27	15521-1651-0	14-18
15321-7351-0	14-30	15521-2105-0	14-17
15321-7428-0	14-17	15521-2131-0	14-17
15324-0161-3	14-6	15521-2214-0	14-17
15331-2501-0	14-19	15521-2353-0	14-17
15341-0162-0	14-6	15521-2411-0	14-17
15348-0460-0	14-19	15521-2436-0	14-18
15401-0558-0	14-15	15521-2437-0	14-18
15401-3211-0	14-6	15521-3229-0	14-9
15401-5115-0	14-23	15521-3243-0	14-9
15401-6327-0	14-29	15521-3363-0	14-9
15401-6556-0	14-21	15521-3693-0	14-9
15401-9201-0	14-26	15521-5101-0	14-23
15418-3641-1	14-6	15521-5165-0	14-26
15418-3642-1	14-6	15521-5211-0	14-23

CROSS REFERENCE

Part Number	Page Number	Part Number	Page Number
15521-5409-0	14-26	16736	5-13
15521-5410-0	14-26	16738	5-25, 5-27
15521-5427-0	14-26	16840	5-19, 11-6
15521-5565-0	14-23	16931	5-31, 6-5
15521-5604-0	14-24	17011-5362-0	14-21
15521-5605-0	14-24	17011-5738-0	14-25
15521-5641-0	14-24	17341-6302-0	14-29
15521-5642-0	14-24	17381-6328-0	14-29
15521-5711-0	14-25	17409	5-25, 5-27
15521-5770-0	14-26	17414	5-21, 5-23, 6-5, 7-7
15521-6551-0	14-21	17521	8-5
15521-6604-0	14-15	17980	9-22
15521-7291-0	14-27	19073	5-20
15521-7292-0	14-27	19074	5-13
15521-7303-0	14-30	19075	5-55
15521-7332-0	14-9	19076	5-7
15521-7333-0	14-9	19083	5-61
15521-7334-0	14-27	19084	5-58
15521-7343-0	14-30	19085	8-7
15521-7352-0	14-30	19086	5-61
15521-7355-0	14-30	19092	5-20
15521-7425-0	14-30	19100	5-20
15521-9101-0	14-9	19106	5-20
15521-9102-0	14-9	19107	5-33
15521-9149-0	14-7	19111	5-33
15521-9150-0	14-13	19113	5-33
15521-9233-0	14-26	19114	5-33, 7-10
15521-9331-0	14-15	19115	5-33
15521-9361-0	14-18	19117	5-53, 11-17
15521-9401-0	14-10	19138	5-33, 5-35
15521-9402-0	14-10	19152	5-53
15521-9481-0	14-30	19153	5-53
15521-9602-0	14-5	19166	5-52
15521-9603-0	14-5	19169	5-47
15555	7-7, 7-9	19171	5-41, 5-43
15595-2301-0	14-17	19172	5-39
15601-1356-0	14-7	19173	5-39
15601-1403-0	14-13	19182	9-15
15601-5412-0	14-25	19190	9-16
15601-5422-0	14-25	19191	9-15
15601-5442-0	14-25	19195	5-7
15601-5602-0	14-24	19198	5-7
15601-5648-0	14-24	19199	5-46
15601-9201-0	14-25	19200	5-21, 5-23
15601-9665-0	14-25	19201	9-17
15611-5613-0	14-24	19202	6-5
15611-5751-0	14-26	19202-0341-0	14-7
15611-5772-0	14-26	19202-0345-0	14-7
15611-5774-0	14-26	19202-0351-0	14-7
15612-8721-0	14-24	19202-0404-0	14-10
15814-0331-0	14-7	19202-0446-0	14-10
16081	5-58	19202-0481-0	14-10
16255	5-8	19202-2325-0	14-17
16314	5-36, 5-38, 7-14	19202-2328-0	14-17
16341	5-36, 5-38, 7-14	19202-2354-0	14-17
16376	7-5	19202-3566-0	14-5
16387	5-41, 5-43	19204	5-7
16455	5-66, 5-67	19205	5-4, 5-21, 13-13
16485	8-5, 10-6	19211	5-33, 5-35
16564	7-7	19212-6310-0	14-29
16695	11-8, 11-9	19212-6311-0	14-29
16735	5-20, 5-21, 5-23	19212-6312-0	14-29

CROSS REFERENCE

Part Number	Page Number	Part Number	Page Number
19212-9713-0	14-29	19634	9-21
19215-6332-0	14-29	19636	5-57
19231-8731-0	14-15	19637	5-57, 9-21
19238	9-15	19639	5-57
19252	5-20	19644	5-57
19271-0101-0	14-5	19649	5-57
19271-8711-0	14-15	19650	9-21
19274-2111-0	14-17	19651	5-57
19286	5-61	19653	9-21
19348	5-7	19654	5-25
19349	9-15, 11-18	19659	5-57, 9-21
19350	5-36	19673	9-17
19351	6-5	19674	5-47
19405	5-29	19675	5-46
19424	5-7	19676	5-33, 5-35
19434	9-17	19677	9-16
19441	5-7	19678	9-16
19452	5-68	19679	9-16
19454	5-61	19680	9-16
19455	9-22, 11-13	19681	9-17
19456	5-66, 11-12	19689	5-21, 5-23
19458	5-19	19693	5-13
19459	5-19	19695	5-33, 5-35
19461	5-53	19698	5-33, 5-35
19462	5-49	19701	5-5
19463	7-17	19702	5-5
19464	5-49, 5-51	19703	5-5
19465	9-6	19707	9-15
19466	9-6	19712	6-5
19467	9-4, 9-5	19717	5-25
19468	9-4, 9-5	19745	5-7
19471	9-6	19747	5-21, 5-23, 5-58, 7-5
19473	9-5	19751	5-21
19478	9-8	19752	5-33, 6-5
19483	9-4	19753	9-21
19491	9-6	19754	5-64
19516	7-17	19756	5-49, 7-17
19517	5-4	19760	6-5
19518	5-4	19767	5-67, 11-16
19519	5-4	19768	5-47
19532	5-20	19772	5-19
19534	6-5	19774	5-25, 6-5
19535	5-59	20416	14-29
19536	5-66, 5-67	20417	14-29
19537	5-61	20418	14-29
19542	5-39	20419	14-29
19543	5-39	20423	14-29
19544	5-58	20424	14-29
19550	8-5	20425	14-29
19553	5-69	20426	14-29
19555	5-33, 7-10	20427	14-29
19558	5-58	20428	14-29
19559	5-33	20429	14-29
19560	5-25	20430	14-29
19569	9-16	20431	14-29
19570	5-63	20432	14-29
19571	5-7	20433	14-29
19583	5-61	20625	8-5, 9-18
19594	9-16	20694	14-29
19614	5-25	20700	14-29
19618	5-57	20729	14-29
19630	5-57	22473	9-10

CROSS REFERENCE

Part Number	Page Number	Part Number	Page Number
23222-2	9-16	25664	5-7, 5-39, 5-55, 8-7
23301	6-9	25665	5-7, 5-39, 5-55, 8-7
23315-2	5-45	26367	5-63, 5-73
23498	5-53	26395-1	6-9, 7-11
23524-4	5-41, 5-43	26426	5-23
23683	5-13	26431	13-16
23786	5-15, 5-17	26496	6-9
24012	5-36, 5-37, 5-38, 7-14	26565	5-52, 8-5, 9-17
24012-1	5-37, 5-38	27800	5-68, 11-9
24013	5-23	27880	9-17
24047	6-9	28165	5-7, 5-39, 5-55, 8-7
24299	5-5	28281	5-15, 5-17
24835	9-16	28298	8-5
24899	5-61	28835	11-9, 11-18
24924	5-27, 7-11	28853	11-18
24928	9-13	28856	7-5
24928-1	9-13	28857	7-5
24929	5-21	29124	5-13
24976	5-23, 5-41, 5-43, 7-5	29601	9-18
25119	5-58	29830-3	5-39
25312	9-10	30013	5-73
25388	11-13, 11-14	30048	14-21
25389	11-12, 11-13, 11-14, 11-15, 11-16	30051	14-6
25399	7-10	30054	14-5
25460	5-55, 9-9	30067	14-5
25465	7-5	30070	14-5
25495	7-5	30073	14-7
25497	7-5	30076	14-18
25500	7-5	30088	14-17
25522	7-5	30089	14-17
25526	7-11	30090	14-17
25530	7-10	30105	14-19
25533	7-10	30251	5-61
25584	5-7	30252	5-61
25587	5-52, 8-5	30253	5-61
25590	5-41, 5-43	30254	5-61
25592	6-9	30255	5-61
25597	9-18	30296	5-23
25602	9-18	30305	5-27
25603	9-17	30306	5-23
25606	7-14	30312	6-7
25608	5-41	30316	5-23
25609	5-25, 5-27	30320	5-27, 6-7
25610	5-25, 5-27, 5-41, 5-43	30321	5-27
25611	9-15	30322	6-7
25612	5-7	30324	5-27, 6-7
25613	14-11	30325	5-27
25614	7-5	30326	6-7
25616	7-18	30327	12-21, 13-5
25617	5-29	30354	5-35
25618	8-5	30366	7-5
25620	9-19	30430	7-13
25621	5-55	30434	5-20
25622	9-18	30453	5-31
25625	5-8	30468	5-23
25627	14-11	30480	5-27, 6-7
25628	11-13, 11-14, 11-19	30481	5-27, 6-7
25629	11-12, 11-13, 11-16	30553	5-31
25630	11-13, 11-14	30556	5-31
25643	7-13	30559	5-31
25656	5-7, 5-39, 5-55, 8-7	30568	5-31
		30571	5-31

Part Number	Page Number	Part Number	Page Number
30573	13-16	32294	7-5
30575	5-31	32295	7-5
31175	5-10	32296	5-29, 7-5
31220-1417-0	14-19	32299	7-19
31220-1429-0	14-19	32305	7-19
31354	11-9, 11-18	32306	7-19
31374	11-9	32307	7-19
31375	11-9	32314	7-19
31380	11-9	32315	7-19
31383	11-9	32334	7-19
31476	11-12, 11-15, 11-16	32350	5-7
31479	11-12	32485	5-19
31482	7-10	32598	5-18
31483	7-7	32987	5-45
31484	7-5	33308	10-4
31486	5-29	33327	8-5, 10-5
31487	5-49	33333	5-37
31490	5-35	33404	9-15
31491	5-20	33595	7-5
31509	5-35	33641	7-13
31511	5-29	33647	7-13
31512	7-17	33701	7-13
31515	5-29	33736	7-13
31516	5-23	33810	9-21
31517	5-35	34150-3786-0	14-26
31518	5-35	34172	11-18
31521	5-37	34174	11-8
31522	5-37	34176	11-8
31523	5-37	34177	11-8
31525	5-31	34330	5-57, 9-21
31526	5-31	34359	5-53, 5-66, 5-67, 9-15, 9-16
31527	5-27	34380	9-21
31528	5-51	34422	5-57
31542	6-7	34805-S8	12-9, 12-13, 13-9, 13-13
31543	5-23, 6-7	34808	7-5
31544	5-43	34810	5-46
31545	5-43	34811	7-18
31550	5-27	34813	5-46, 7-18, 9-8
31556	5-18, 11-19	34820	8-8
31569	5-57	34821	5-39
31592	5-33, 5-35	34877	5-20
31603	5-57	35050	11-15, 11-16
31605	9-22	353055-S7	12-7, 13-7
31611	5-57	36050	5-27
31613	5-58	36192	5-41, 5-43
31639	11-19	36253	13-18
31647	5-57	36254	13-18
31683	5-38	36257	12-11, 13-11
31728	6-7	36258	13-15
31735	5-69	36259	13-11
31737	5-69	36262	13-11
31744	7-17	36263	13-7
31745	5-4	36264	13-7
31746	5-4	36265	12-5, 12-7, 13-5, 13-7
31755	5-35	36267	12-7, 13-7
31759	5-64	36268	13-7
32210-3479-0	14-11	36272	12-7, 13-7
32289	7-5	36273	12-7, 13-7
32290	7-5	36274	12-7, 13-7
32291	5-13	36275	13-7
32292	7-5	36276	12-7, 13-7
32293	7-5	36277	13-7

CROSS REFERENCE

Part Number	Page Number	Part Number	Page Number
36278	13-7	36430	12-11, 13-11
36279	13-5	36431	12-11, 12-13, 12-17, 13-11, 13-13, 13-16
36281	13-5	36432	13-11
36297	13-5	36433	13-11
36298	12-5, 13-5	36445	13-11
36300	13-5	36450	12-11
36303	13-5	36451	12-11
36306	13-5	36452	12-11
36307	13-5	36453	12-11
36315	13-5	36454	13-11
36318	13-5	36463	13-11
36319	13-5	36467	13-11
36321	13-5	36469	13-11
36322	13-11	36483	13-11
36324	13-5	36493	13-11
36325	12-5, 13-5	36590	13-11
36328	5-61	36591	13-19
36330	13-5	36630	13-19
36331	13-5	36646	13-19
36332	13-15	36748	13-13
36333	12-15, 13-15	36758	9-16
36337	13-15	36764	13-13
36338	13-15	36765	13-13
36339	12-15, 13-15	36776	13-13
36340	13-9	36780	12-13, 13-13
36341	12-9, 13-9	36867	12-13, 13-13
36342	12-9, 13-9	36881	12-13, 13-13
36343	12-9, 13-9	36904	12-13, 13-13
36344	12-9, 13-9	36923	12-13, 13-13
36345	12-9, 13-9	36924	13-13
36348	12-9, 13-9	37053	13-13
36349	12-9, 13-9	37083-1	5-41, 5-43
36372	12-9, 13-9	37098	13-13
36373	12-9, 12-13, 13-9, 13-13	37099	12-13, 13-13
36374	12-9, 13-9	37127	12-13, 13-13
36375	13-9	37157	12-13, 13-13
36381	13-9	37181	12-11, 12-17, 13-11, 13-16
36382	13-9	37189	13-16
36383	13-9	37193	13-16
36384	12-9, 13-9	37194	13-14
36389	12-9, 13-9	37195	13-14
36390	13-9	37196	13-14
36402	12-9, 13-9	37198	13-14
36405	12-9, 13-9	37199	13-14
36406	12-9, 13-9	37306	12-9, 13-9
36407	12-9, 13-9	37307	12-9, 13-9
36408	12-9, 13-9	37312	12-11
36409	12-9, 13-9	37316	12-9, 13-9
36410	13-11	37317	12-9, 13-9
36411	13-11	37321	12-11, 13-11
36412	13-11	37327	12-17, 13-16
36413	13-11	37337	12-9, 13-9
36414	13-11	37341	12-13
36415	13-11	37403	12-13
36416	13-11	37457	11-5
36418	13-11	37617	11-8
36419	13-11	37693	12-9, 13-9
36421	13-11	37694	12-9, 13-9
36422	13-11	37695	12-5
36423	13-11	377665-S7-8	12-14
36424	12-11, 13-11	38034	12-14
36429	13-11		

CROSS REFERENCE

Part Number	Page Number	Part Number	Page Number
38242	12-9, 13-9	39099	14-7
38315	11-7	39100	14-7
38405	7-5	39101	14-9
38490	11-7	39102	14-9
388156-GS	12-22	39103	14-9
38957	14-19, 14-29	39104	14-9
39025	13-17	39105	14-9
39026	13-17	39106	14-9
39035	13-17	39107	14-9, 14-27
39038	13-17	39108	14-9
39040	13-17	39109	14-9
39041	13-17	39110	14-9
39042	13-17	39112	14-9
39043	13-17	39113	14-9
39044	13-17	39114	14-9
39045	13-17	39115	14-9
39046	5-4, 13-17	39116	14-9
39047	13-15	39117	14-9
39050	14-5	39118	14-9
39051	14-5	39119	14-9, 14-25
39052	14-5	39120	14-9, 14-25
39053	14-5	39121	14-9, 14-25, 14-26
39054	14-5	39122	14-9
39055	14-5	39123	14-10
39056	14-5	39124	14-10
39057	14-5	39125	14-10
39058	14-5, 14-9	39126	14-10
39059	14-5	39127	14-10
39060	14-5	39128	14-10
39061	14-5	39129	14-10, 14-30
39062	14-5	39130	14-10
39063	14-5	39131	14-17
39064	14-5	39132	14-10
39065	14-5, 14-9, 14-15, 14-24, 14-25	39133	14-10
39066	14-5	39134	14-10
39067	14-5	39135	14-10
39068	14-5	39136	14-11
39069	14-5	39137	14-11
39070	14-6	39138	14-11, 14-23, 14-27
39071	14-6	39139	14-11
39072	14-6	39140	14-11
39073	14-6, 14-23	39141	14-13
39074	14-6	39142	14-13
39075	14-6	39143	14-13
39078	14-6	39144	14-13
39082	14-7	39145	14-13
39086	14-7	39146	14-13
39087	14-7	39147	14-13
39088	14-7	39148	14-13, 14-24
39089	14-7	39149	14-13
39090	14-7	39150	14-13
39091	14-7	39151	14-13
39092	14-7	39152	14-13
39093	14-7	39153	14-13
39094	14-7	39154	14-13
39095	14-7	39155	14-13
39096	14-7, 14-11, 14-13, 14-23, 14-27, 14-30	39156	14-13
39097	14-7, 14-9, 14-11, 14-13, 14-19, 14-23, 14-26, 14-27, 14-29, 14-30	39157	14-15
39098	14-7	39158	14-15
		39159	14-15
		39160	14-15
		39161	14-15

CROSS REFERENCE

Part Number	Page Number	Part Number	Page Number
39162	14-15	39400	14-19
39163	14-15	39401	14-19
39164	14-15	39458	14-19
39165	14-15	39480	14-19
39166	14-15	39481	14-19
39167	14-15	39482	14-21
39168	14-15	39500	14-21
39169	14-15, 14-24	39501	14-21
39170	14-15	39502	14-21
39171	14-15	39503	14-21
39172	14-15	39504	14-21
39173	14-15	39505	14-21
39174	14-15	39506	14-21
39175	14-15	39507	14-21
39176	14-15	39508	14-21
39177	14-15	39509	14-21
39178	14-15	39510	14-23
39179	14-15	39511	14-23
39180	14-17	39512	14-23, 14-27
39181	14-17	39513	14-23
39182	14-17	39514	14-23
39183	14-17	39516	14-23
39184	14-17	39517	14-23
39185	14-17	39518	14-23
39186	14-17, 14-18	39519	14-23
39187	14-17	39520	14-23
39188	14-17	39521	14-23
39189	14-17	39522	14-23
39190	14-17	39523	14-23
39191	14-17	39524	14-23
39192	14-17	39527	11-8, 11-9
39193	14-18	39633	14-23
39194	14-18	39635	14-23
39195	14-18	39645	14-23
39196	14-18	39710	14-23
39197	14-18	39713	14-23
39198	14-18	39780	5-27
39199	14-18	39784	14-23
39200	14-18	39900	5-45
39201	14-18	40006	14-23
39202	14-18	40021	14-24
39203	14-18	40025	14-24
39210	9-22	40026	14-24
39211	14-18	40031	14-24
39212	14-18	40032	14-24
39213	14-19	40033	14-24
39223	14-19	40040	14-24
39283	5-31, 5-36	40079	14-24
39284	5-29	40080	14-24
39297	5-70	40081	14-27
39308	5-25, 6-5	40083	14-24
39311	5-27, 6-7	40111	14-24
39330	5-13	40112	14-24
39349	5-23	40113	14-24
39362	5-73	40114	14-24
39384	14-19	40124	14-24
39385	14-19	40145	5-52, 8-5
39386	14-19	40149	14-24
39387	14-19	40159	14-25
39388	14-19	40165	14-25
39389	14-19	40166	14-25
39399	14-19	40184	14-25

CROSS REFERENCE

Part Number	Page Number	Part Number	Page Number
40197	14-25	42779	9-18
40202	14-25	43516A	5-55
40203	14-25	43555	5-61
40204	14-25	43611	5-10
40231	14-25	43844	5-35, 5-41, 5-43, 7-7, 7-9, 8-5, 9-18
40233	14-25	44078	7-18
40265	14-25	44681	9-5
40285	14-25	44681-1	9-5
40289	14-25	44681-2	9-5
40290	14-25, 14-26	44868	5-59, 5-66, 5-67, 5-68, 9-22
40333	14-26	44869	5-58, 5-67, 9-22
40334	14-26	44961	5-17, 5-57, 5-61, 7-5
40375	14-26	45214	5-73
40398	14-26	45487-2	9-18
40400	14-26	45487-5	9-18, 9-19
40401	14-26	45487-6	5-55
40402	14-26	45628	11-8, 11-9
40403	14-26	45779	9-4, 9-5, 9-6
40404	14-26	45780	9-6
40405	14-26	45973	7-17
40407	14-26	45975	7-18
40408	14-26	46236	5-11, 5-15, 5-17, 7-9
40409	14-26, 14-30	46311	5-45
40410	14-26	46312	5-45
40411	14-26	46313	5-45
40412	14-26	46481	5-19, 5-33, 5-35, 9-22
40413	14-26	46559	5-19
40415	14-26	47008	5-45
40416	14-27	47009	5-45
40418	14-27	47010	5-45
40419	14-27	47010-1	5-45
40420	14-30	47010-2	5-45
40421	14-30	47010-3	5-45
40422	14-30	47010-4	5-45
40431	14-30	47010-5	5-45
40433	14-30	47010-6	5-45
40434	14-30	47010-7	5-45
40442	14-29	47011	5-45
40457	14-29	47178-17	5-7
40514	5-18, 5-59	47566	5-41, 5-43, 7-9
40585	5-25, 5-41, 5-43, 7-9	47649	11-8
40607	6-5, 7-7	47721	9-18
40727	5-61	47745	5-73
40755	5-19	47752	5-19, 5-58, 9-22
40870	5-53	47989	5-37
41127	5-10	48126	5-11
41130	5-53	48267	5-41, 5-43, 7-9, 9-8
41359	5-21	48570	5-46
41361	5-20	48778	5-61
41665	5-7	48782	5-61
41845	5-41, 5-43	48784	8-5
42120-4	5-63	48789	10-5
42133A	8-5, 8-7, 9-18	48790	5-10
42153A	9-9	48791	10-5
42196	7-11	48795	5-15
42215	9-22	48796	5-17
42216	5-19	48813	11-11, 11-12, 11-13, 11-14, 11-15, 11-16
42226	5-59, 5-66, 5-67	48829	11-15
42227	5-18	48833	11-12
42361	13-11	48834	11-12, 11-15, 11-16
42395	9-16		
42397	9-16		

CROSS REFERENCE

Part Number	Page Number	Part Number	Page Number
48835	11-12, 11-13, 11-14, 11-15, 11-16	55248	9-4, 9-5, 9-6, 9-8
49263	5-45, 5-57, 6-5, 6-7, 7-5, 9-17	55271	5-46
49266	5-25, 5-27, 5-41, 5-43, 5-46, 5-47, 5-57, 6-9, 7-18, 8-5, 9-4, 9-5, 9-6, 9-8, 9-15	55272	5-46
49287	5-41, 5-43	55347	6-9
49681	5-13	55557	5-46
49886	10-7	55586	5-63, 5-68, 5-73, 9-22
49901	10-7	55619	5-19
50077	5-15, 5-17	55668	5-57
50078	5-45	55696	5-57
50096	5-52	55740	5-4, 5-19
50097	5-52	55763	5-21, 5-23
50304	9-12	55777	5-58
50332-1	5-25, 5-27, 6-5, 6-7	55906	11-5
50332-2	5-27, 6-5, 6-7	55922	11-5
50335	5-21	55929	11-5
50388	7-5	55930	11-5
50493	5-13, 5-73	55931	11-5
50494	5-13	55932	11-5
50850	6-9, 7-7	55937	11-5
51109	5-11	55939	11-5
51176	5-20, 7-5	55975	6-5, 6-7
51406	10-4, 10-5	55998	6-5, 6-7
51416	10-4, 10-5	56094	5-52
51529	5-15, 5-17, 9-16	56119	5-52
51530	5-15	56232	5-61
51534	9-15, 9-16	56235	5-39
51545	5-15	56245	5-61
51560-3	5-29	56395	5-61
51562	5-15	56465	5-36, 5-38, 7-14
51564	5-61	56505	5-55, 8-7, 9-10
51787	5-7, 5-33, 5-35, 5-55	56678	5-61
51795	8-5	56690	5-58, 9-22
51805	5-21, 5-23, 7-5	56692	5-18, 5-53
51839	6-5, 6-7	56706	5-57
51869	6-5	56708	7-5
52238	5-70, 5-71	56719	5-45
53078	5-11	56779	5-41, 5-43
53079	5-15	56815	5-64
53268	6-9	56820	9-22
53395-2	6-9	56821	5-19, 5-53, 9-15
53400-1	6-9	56851-1	5-45
53400-4	6-9	56851-2	5-45
54027	7-5	56851-3	5-45
54274	5-35, 5-36, 5-37, 5-38, 5-53, 5-66, 5-67, 7-14	56852	5-45
54275A	5-53	56855	5-13
54333	5-23, 5-41, 5-43, 5-55, 9-15, 9-17, 9-18	56861	5-61
54911-16	5-20	56992	5-47
54911-25	5-21, 5-23	57048	5-20, 7-5
54911-28	5-21	57053	5-11
54911-31	5-21	57057	5-11
54911-32	5-33, 5-35	57064	11-6
54912-8	5-25, 6-5	57070	5-61
54914	5-31, 7-13	57086	5-8
54930	6-5, 6-7	57092	5-45
54959	5-31	57100	5-41, 5-43
55225	5-35	57115	8-5
55248	5-41, 5-43, 5-46, 5-47, 7-18,	57123	5-17
		57142	9-8
		57149	5-41, 5-43
		57163	8-8
		57166	5-45
		57167	5-47

CROSS REFERENCE

Part Number	Page Number	Part Number	Page Number
57168	5-45	57773	5-21, 5-23
57173	5-57	57791	5-15
57178	5-61	57803	5-47, 8-8, 9-4, 9-5, 9-6
57184	5-15	57807	5-47, 8-8, 9-4, 9-5, 9-6, 9-23
57186	11-10, 11-12, 11-13, 11-16	57818	5-41, 5-43
57191	5-57	57875	5-13
57193	5-57	57910	9-16
57194	5-57	57934	5-25, 5-27
57195	5-57	57947	5-57
57196	5-57	57971	7-5
57199	5-57	57994	5-18
57210	11-5	58114	5-53
57214	9-6	58120	5-4, 5-29
57218	9-4, 9-5	58329	5-15, 5-17
57220	9-4, 9-5	58346	5-29
57231	5-15, 5-17	58395	5-19
57232	5-17	58489	5-7, 5-8
57233	5-15	58494	5-8
57238	5-7	58507	5-4, 12-19
57241	5-7	58508	5-4, 12-19
57242	9-7	58518	9-4
57248	8-5	58519	9-4
57259	5-64	58520	9-4
57260	5-64	58524	9-6
57307	9-7	58538	5-29
57309	5-13	58591	5-46
57311	5-11	58592	5-21, 5-23
57312	5-8	58844	5-7
57314	5-45	58846	5-25, 5-27
57315	5-47, 5-57	58858	5-58
57317	8-5	58898	5-7
57319	5-9	59118-3	5-41, 5-43
57321	5-9	59118-5	5-41, 5-43
57327	6-9	59118-7	6-9
57338	9-12	59390	5-65
57348	6-9	59393	5-65
57370	11-7	59600	5-70
57373	11-7	59601	5-71
57374	11-7	59610A	5-70, 5-71
57375	11-7	59612A	5-70
57377	8-5	59613A	5-71
57378	8-5	59617	5-70, 5-71
57379	8-5	59624	5-70
57386	7-18	59625	5-71
57399	5-9	59626-1	5-70, 5-71
57411	5-18	59630-1	5-70, 5-71
57422	9-12	59632	5-15, 5-17, 5-70, 5-71
57429	9-12	59633	5-13, 5-70, 5-71, 5-73, 9-15
57430	5-41, 5-43	59634	5-70, 5-71
57442	8-5	59639A	5-70, 5-71
57449	5-41	59650	5-70, 5-71
57452	6-9	59663A	5-70, 5-71
57458	5-41, 5-43	59673-1	5-70, 5-71
57460	5-64	59700	5-70
57461	5-41, 5-43	59701	5-71
57481	7-18	59775	5-73
57482	5-55, 8-7, 9-10	59800	5-73
57510	5-8	59826	5-73
57542	11-18	59945	7-7
57581	9-21	60004	5-70, 5-71
57751	5-47, 8-8, 9-4, 9-5, 9-6	60005	5-73
57772	5-47, 7-18	60006	5-73

CROSS REFERENCE

Part Number	Page Number	Part Number	Page Number
60395	5-45	64105-1	9-6
60396	5-15, 5-17	64107	5-36, 5-37, 5-38, 7-14
60445	5-31	64123-2	5-73
60555	5-29	64127	5-73
60559	5-31, 7-13	64141	5-47
60561	7-13	64152	5-73
61288	5-58	64153	5-73
61332	7-5	64154	5-73
61363	5-31	64173	5-13, 5-73
61404	7-7	64185	5-8
61405	7-17	64192	5-13, 5-73
61409	5-58	64219	5-73
61441	7-5	64247	5-9
61452	5-29	64274-1	5-9
61491	7-17	64297	5-45
61515	5-31, 7-13	64317	5-61
61516	5-31, 7-13	64320	5-61
61517	5-31, 7-13	64338	5-10
61527	13-11	64339	5-10
61529	5-31, 7-13	64341	5-10
61531	5-31, 7-13	64342	5-10
61686	7-7	64348	5-73
61927	11-11, 11-14, 11-15	64358	5-45
61928	11-14, 11-15	64359	5-45
61931	5-31, 7-13	64361-1	5-73
61969	5-47	64376-1	5-63
62170-3	5-55	64377	5-7, 5-61, 5-63
62170-4	5-7	64379	5-63
62378	5-33	64382	5-73
62390	5-59	64389-1	5-63
62595-11	5-9	64393-2	5-63
62595-18	5-18, 5-64, 7-9	64416-1	5-7
62595-2	5-9	64422-1	5-73
62595-3	5-7, 5-33, 5-35	64424	5-73
62595-5	5-64	64425	5-73
62797	7-13	64428	5-63
62865	6-9	64432	5-63
63174	9-11	64451-1	5-63
63175-1	9-15	64453-1	5-63
63233	9-15	64454	5-63
63234	9-15	64476	5-41, 5-43
63244-1	9-17	64481	5-70
63244-3	9-18	64487	5-61
63378	5-64	64489	5-41, 5-43
63430	9-12	64512	5-7
63448	9-12	64523	5-55
63451	9-12	64526	5-55
63810	5-23, 5-25, 5-29, 5-33, 5-52, 6-5, 6-7, 7-5, 8-5	64529	5-55
63921	10-6	64535	5-8
63922	10-6	64552	5-13
63923	10-6	64595	5-8
63924	10-6	64598	5-73
64003	8-7	64610	5-65
64010	8-7	64636	5-37
64014	8-7	64677	8-7
64015	8-7	64727	5-63
64016	8-7	64729	5-63
64028	5-13	64747	5-52
64060-1	5-10	64756	5-7
64073	5-65	64757	5-7
64105	9-6	64760	5-63
		64764	5-63

CROSS REFERENCE

Part Number	Page Number	Part Number	Page Number
64768	5-65	68873	5-39
64772	5-57	69203	8-5, 9-18
64777-1	5-45	69214	5-46
64778	9-18	69225	5-73
64791	5-13	69227	5-63
64793	5-65	69228	5-63
64814	9-10	69231	5-7
64832	9-6	69252	5-73
64861	9-11	69276	5-35
64862	9-11	69414	5-64
64865	9-11	69443	9-10
64866	5-55, 8-7	69444	5-55
64868	5-61	69459	5-73
64875	5-55	69461	5-73
64991	5-13	69462	5-35, 5-73
65145-1	5-19	69465	6-9
65376	5-67, 11-15	69494-2	8-5
65377	9-22, 11-14	69538	5-55
65380	11-14, 11-15	69539	9-9
65381	11-14, 11-15	69571	5-13
65382	11-11, 11-14, 11-15	69582	5-15, 5-17
65383	11-14, 11-15	69612	8-7, 9-10
65389	5-59, 11-11	69637	5-55, 8-7
65394	5-51	69639	8-7
65396	5-39	69649	8-7
65401	5-51	69657	9-12
65408	5-15, 5-17	69659	9-12
65409	5-15, 5-17	69667	5-7
65415	5-15, 5-17	69724	5-70
65446	5-73	69725	5-71
65447	5-73	69752	5-45
65553	5-47, 8-8	69770	9-11
65555	5-47	69772	9-10
65561	9-4, 9-5, 9-6, 9-23	69779	5-63
65574	5-38	69780	5-63
65577	9-16	69784	8-5, 8-7, 9-18
65667	10-7	69785	8-7
65675	10-7	70000-6525-9	14-6
65700	10-7	70000-65348	14-29
65701	10-7	70006	5-58
65702	10-7	70160	5-31, 7-13
65703	10-7	711F-6500-DA	12-9
65704	10-7	72025-S7	12-9, 13-9
65705	10-7	72432-S	12-13, 13-13
65706	10-7	72EG-2A411-BA	12-14
65707	10-7	72HF-12106-AA	12-19
65708	10-7	73544	14-29
65709	10-7	73545	14-29
65710	10-7	73546	14-29
65869-1	5-4	73547	14-29
66085	5-64	73548	14-29
66086	5-69	73551	14-29
66087	5-64	73552	14-29
67004	5-55, 8-7, 9-12	74098	11-15, 11-16
67555-S	12-19	74345	5-27
67832	5-18	74391	5-15, 5-17, 9-16
68106	5-21, 5-23, 5-46, 7-5, 7-18, 9-8	74443	5-27
68275	5-10	75050	5-73
68301	8-5	75106	5-55
68346	9-11	75128	5-7, 5-61
68567	5-10	75430	5-7, 5-13
68872	5-39	75456	5-53

CROSS REFERENCE

Part Number	Page Number
75456-1	5-53
75456-2	5-53
75456-3	5-53
75456-4	5-53
75575	5-63
75809	13-11
75817	13-11
76053	5-15
76058	5-11, 5-17
76316	5-19, 5-58
76589-2	5-23
76736	5-25, 5-27, 5-41, 5-43, 7-7, 7-9
76762	7-5
76921	5-73
76927	5-73
76943	5-73
76979	5-41, 5-43, 5-61
77097	5-18, 5-66, 5-67, 5-73, 9-15, 9-16, 9-22
77BF-12273-AA	12-19
77BF-9K442-AA	13-14
77BM-6055-AA	12-7
77BM-6059-AE	12-15
77BM-6065-AA	12-5
77BM-6214-AA	12-11
77BM-6256-AA	12-9, 13-9
77BM-6333-BAA	12-11
77BM-6333-BBA	12-11
77BM-6333-BCA	12-11
77BM-6333-BDA	12-11
77BM-6333-BEA	12-11
77BM-6333-BFA	12-11
77BM-6333-BGA	12-11
77BM-6333-BHA	12-11
77BM-6333-BJA	12-11
77BM-6505-DB	12-5
77BM-6529-AB	12-9
77BM-6531-BB	12-9, 13-9
77BM-6571-AB	12-5
77BM-6584-CA	12-5, 13-5
77BM-6598-AB	12-9, 13-9
77BM-6617-AD	12-13
77BM-6784-AC	12-13
77BM-6A341-AA	12-11
77BM-6A341-BA	12-11
77BM-6A557-BB	12-9, 13-9
77BM-6K255-AB	12-9, 13-9
77BM-6K528-AB	12-9
77BM-9441-DA	12-14
77BM-9448-EA	12-14
78143	5-18, 5-19, 5-59
78398	9-18
78563	9-24
78564	9-24
78565	9-24
79064	5-73
79273-2	5-52, 8-5
79273-4	9-17, 9-18, 9-19
79424	8-7
79484	8-5
79497	9-18
79605	5-10

Part Number	Page Number
79606	8-5
79610	8-5
79660	9-9
80BM-6312-AA	12-11
80BM-6507-DC	12-5
80BM-6507-FC	12-5
81SM-6211-AA	12-11
81SM-6211-BA	12-11
81SM-6211-CA	12-11
81SM-6211-DA	12-11
81SM-6211-EA	12-11
81SM-6211-FA	12-11
82063	9-4
82200	9-5
82262	7-5
82315	5-33, 5-35
82513	7-7
82525	5-4, 5-43
82526	5-41, 5-43, 7-7
82537	14-30
82544	5-41, 5-43, 7-7
82570	5-25
82572	7-5
82573	7-5, 7-7
82579	7-5
82597	7-11
82598	7-5
82661	5-59
82674	5-25
82688	5-33
82692	5-4, 7-7
82693	5-4, 14-9
82712	7-5
82728	5-41
82729	5-41, 5-43, 7-9
82730	5-41
82731	5-31, 7-13
82747	5-46, 6-9
82754	5-59, 11-10
82764	5-19
82767	5-19
82805	5-57
82812	5-57
82825	5-63, 5-66, 5-67
82830	5-57, 7-5
82833	9-15
82835	5-57
82918	5-66, 5-67
83AM-6701-A1A	12-11
83BM-6700-A3A	12-15, 13-15
83BM-6700-A4A	12-11, 13-11
84BF-6K614-CA	12-5
84BF-9430-BA	12-14
84BM-6148-DA	12-11
84BM-6148-EA	12-11
84BM-6148-FA	12-11
84BM-6582-CA	12-5
84FM-6375-AB	12-22
86041	5-31, 7-13
86723	9-15
86759	9-15
86BF-12100-FA	12-19

CROSS REFERENCE

Part Number	Page Number	Part Number	Page Number
86BF-12283-AB ..	12-19	89BM-6148-FA ...	13-11
86BF-12284-AB ..	12-19	89BM-6200-AD ..	13-11
86BF-12286-AB ..	12-19	89BM-6214-CB ..	13-11
86BF-12287-AB ..	12-19	89BM-6251-BA ...	13-9
86BF-12370-CA ..	12-19	89BM-6303-DA ..	13-11
86BF-12K062-AA ..	12-19	89BM-6312-AA ...	13-11
86BF-9425-FB ...	12-14	89BM-6333-AA ...	13-11
86BM-6010-CA ..	12-7	89BM-6333-BA ...	13-11
86BM-6011-AA ..	12-7	89BM-6333-CA ..	13-11
86BM-6049-CC ..	12-5	89BM-6333-DA ..	13-11
86BM-6051-B1A ..	12-5	89BM-6333-EA ...	13-11
86BM-6057-CA ..	12-5	89BM-6333-FA ...	13-11
86BM-6102-AC ..	12-11	89BM-6333-GA ..	13-11
86BM-6102-BC ..	12-11	89BM-6333-HA ..	13-11
86BM-6102-CC ..	12-11	89BM-6344-BA ...	13-11
86BM-6200-AA ...	12-11	89BM-6375-BA ...	13-19
86BM-6250-BA ...	12-9	89BM-6500-AA ...	13-9
86BM-6303-AA ...	12-11	89BM-6505-BC ..	13-5
86BM-6344-AA ...	12-11	89BM-6505-CA ..	13-5
86BM-6513-AA ...	12-5	89BM-6507-BA ...	13-5
86BM-6565-AC ..	12-9	89BM-6507-BC ..	13-5
86BM-6617-AA ...	13-13	89BM-6513-AA ...	13-5
86BM-6675-AA ...	12-13, 13-13	89BM-6529-AB ...	13-9
86BM-6K318-AA ..	12-11, 13-11	89BM-6565-AA ...	13-9
87536	5-47	89BM-6582-AA ...	13-5
87579	5-70, 5-71	89BM-6659-AA ...	13-13
87631	5-61, 5-68	89BM-6750-AA ...	13-13
87677	5-57, 9-17, 9-21	89BM-6784-AA ...	13-13
87680	5-57	89BM-6A341-AA ..	13-11
87681	5-57, 9-21	89BM-6A341-BA ..	13-11
87730	7-7	89BM-6A536-AA ..	13-5
87738	7-7	89BM-6K340-AA ..	13-11
87837-S	12-7, 12-14, 13-7	89BM-6K528-AB ..	13-9
87866	5-47	89BM-8507-AA ...	13-16
87YF-12405-AA ..	13-17	89BM-9441-AB ...	13-14
88BX-6008-BA ...	13-18	89SM-6211-AA ...	13-11
88BX-6014-BA ...	13-18	89SM-6211-BA ...	13-11
88WM-6518-AA ..	13-5	89SM-6211-CA ...	13-11
88WM-6571-BB ..	13-5	89SM-6211-DA ...	13-11
89BF-12024-AB ..	13-17	89SM-6211-EA ...	13-11
89BF-12283-AC ..	13-17	92BX-8591-BA ...	13-16
89BF-12284-AC ..	13-17		
89BF-12286-AC ..	13-17		
89BF-12287-AC ..	13-17		
89BF-12297-AA ..	13-17		
89BF-6C315-AA ..	13-7		
89BF-9424-AD ...	13-14		
89BM-6010-FA ...	13-7		
89BM-6011-DA ...	13-7		
89BM-6019-AA ...	13-15		
89BM-6020-AA ...	13-15		
89BM-6049-DD ..	13-5		
89BM-6051-C1C ..	13-5		
89BM-6055-BA ...	13-7		
89BM-6056-A1G ..	13-5		
89BM-6057-A2E ..	13-5		
89BM-6065-DA ..	13-5		
89BM-6102-DA ..	13-11		
89BM-6102-EA ...	13-11		
89BM-6102-FA ...	13-11		
89BM-6148-DA ..	13-11		
89BM-6148-EA ...	13-11		

TENNANT COMPANY SERVICE LITERATURE AVAILABLE...

A variety of information is available to you in forms to suit your needs. The following is a list of those publications that relate to the Model 528 family of machines:

Machine Model	Publication	Form	TENNANT Part No.
528	Operation, Maintenance, and Parts Manual	Printed	MM193
528	Operation, Maintenance, and Parts Manual	Microfiche	85193
528	Operator Handbook	Printed	MM194
528	Ford VSG – 411/413 Engine Service Manual	Printed	38978
528	Kubota D1402 – Engine Service Manual	Printed	38993

Keep your manuals in a safe, convenient location for your future reference in order to operate, maintain, and order repair parts for your machine. Everyone who operates, maintains, or purchases parts for the machine should have easy access to a copy of the manual.

To get pricing information or to order copies of these publications, contact your nearest Tennant Company parts warehouse, distributor, or sales representative.